

Solid-state relay module - EMG 10-OE-230AC/48DC/100 - 2948953

Please be informed that the data shown in this PDF Document is generated from our Online Catalog. Please find the complete data in the user's documentation. Our General Terms of Use for Downloads are valid (<http://download.phoenixcontact.com>)



Input solid-state relay, with LED and protective circuit in input and output circuits, input: 230 V AC, output: 4 - 48 V DC/max. 100 mA

The illustration shows version EMG 10-OE, with DC voltage output, max.100 mA

Product Features

- RC protective circuit
- EMG-17-OV, short-circuit-proof with indicator LED
- Protective circuit in input and output
- Status indicator
- Zero voltage switch
- Electrical isolation



Key commercial data

| | |
|-------------------------|---------------|
| package_quantity | 10 |
| GTIN | 4017918083625 |

Technical data

Dimensions

| | |
|---------------|--------|
| Width | 10 mm |
| Height | 75 mm |
| Depth | 102 mm |

Ambient conditions

| | |
|--|------------------|
| Ambient temperature (operation) | -20 °C ... 60 °C |
| Ambient temperature (storage/transport) | -20 °C ... 70 °C |
| Degree of protection | IP20 |

Input data

| | |
|--|-------------|
| Nominal input voltage U_N | 230 V AC |
| Input voltage range in reference to U_N | 0.9 ... 1.1 |
| Switching threshold "0" signal in reference to U_N | ≤ 0.4 |

Solid-state relay module - EMG 10-OE-230AC/ 48DC/100 - 2948953

Technical data

Input data

| | |
|---|--------------------------------------|
| Switching threshold "1" signal in reference to U _N | ≥ 0.8 |
| Typical input current at U _N | 3.5 mA |
| Typical response time | 10 ms |
| Typical turn-off time | 10 ms |
| Status display | Yellow LED |
| Type of protection | Protection against polarity reversal |
| Type of protection | Surge protection |
| Protective circuit/component | Polarity protection diode |
| Transmission frequency | 10 Hz |

Output data

| | |
|--|--------------------------------------|
| Output nominal voltage | 48 V DC |
| Output voltage range | 4 V DC ... 48 V DC |
| Limiting continuous current | 100 mA |
| Voltage drop at max. limiting continuous current | 0.9 V |
| Output circuit | 2-wire, floating |
| Type of protection | Protection against polarity reversal |
| Type of protection | Surge protection |
| Protective circuit/component | Polarity protection diode |

Connection data

| | |
|--|---------------------|
| Connection method | Screw connection |
| Stripping length | 8 mm |
| Screw thread | M3 |
| Conductor cross section solid min. | 0.2 mm ² |
| Conductor cross section solid max. | 4 mm ² |
| Conductor cross section stranded min. | 0.2 mm ² |
| Conductor cross section stranded max. | 2.5 mm ² |
| Conductor cross section AWG/kcmil min. | 24 |
| Conductor cross section AWG/kcmil max | 12 |

General

| | |
|---|---------------------------|
| Test voltage input/output | 3.5 kV AC |
| Test voltage input/output | 3.5 kV AC |
| Mounting position | Any |
| Assembly instructions | In rows with zero spacing |
| Operating mode | 100% operating factor |
| Inflammability class according to UL 94 | V0 |
| Standards/regulations | IEC 60664 |
| Standards/regulations | EN 50178 |
| Standards/regulations | IEC 62103 |
| Rated surge voltage / insulation | Basic insulation |

Solid-state relay module - EMG 10-OE-230AC/ 48DC/100 - 2948953

Technical data

General

| | |
|------------------------|-----|
| Pollution degree | 2 |
| Surge voltage category | III |

classifications

eCl@ss

| | |
|------------|----------|
| eCl@ss 4.0 | 27371102 |
| eCl@ss 4.1 | 27371102 |
| eCl@ss 5.0 | 27371001 |
| eCl@ss 5.1 | 27371001 |
| eCl@ss 6.0 | 27371001 |
| eCl@ss 7.0 | 27371001 |
| eCl@ss 8.0 | 27371001 |

ETIM

| | |
|----------|----------|
| ETIM 2.0 | EC001504 |
| ETIM 3.0 | EC001504 |
| ETIM 4.0 | EC001504 |
| ETIM 5.0 | EC001504 |

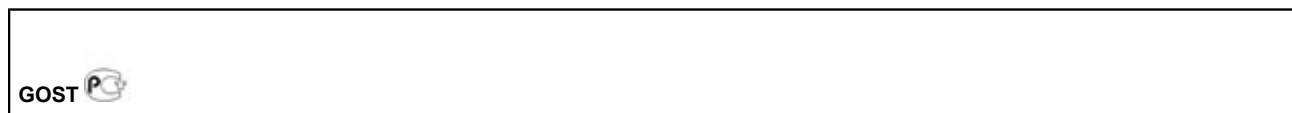
UNSPSC

| | |
|---------------|----------|
| UNSPSC 6.01 | 30211916 |
| UNSPSC 7.0901 | 39121542 |
| UNSPSC 11 | 39121542 |
| UNSPSC 12.01 | 39121542 |
| UNSPSC 13.2 | 39121542 |

approvals

GOST /

Approval details



Solid-state relay module - EMG 10-OE-230AC/ 48DC/100 - 2948953

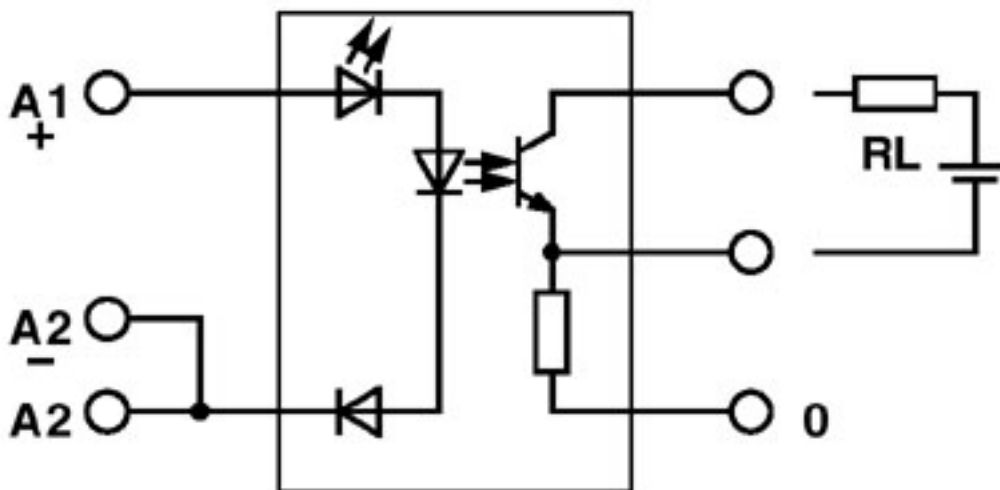
accessories

EMG-GKS 12 - 2947035



Drawings

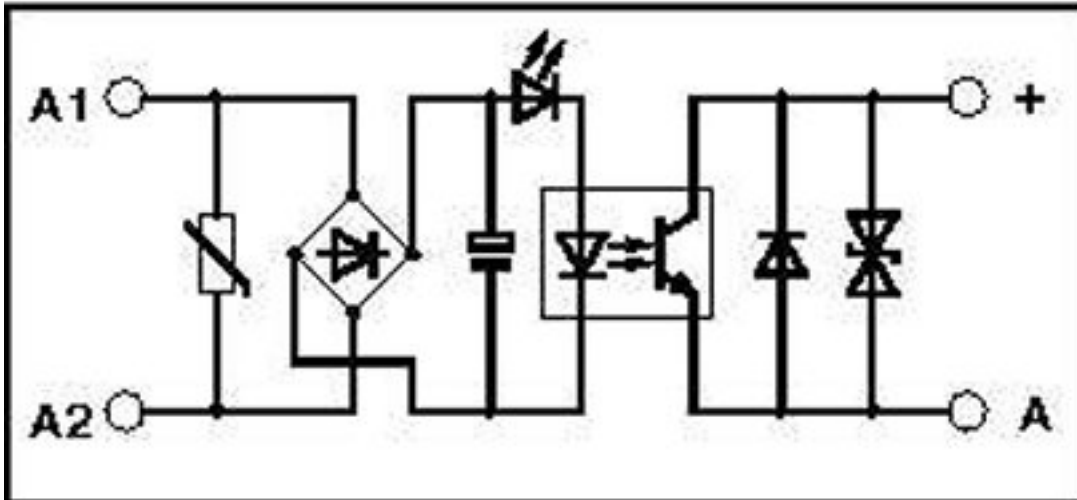
Circuit diagram



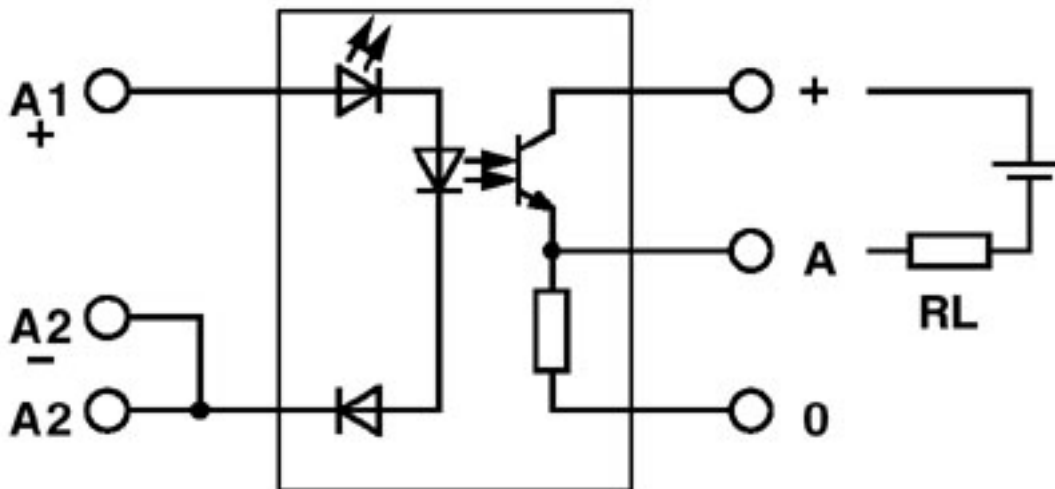
Output: 2-wire, floating, minus switching

Solid-state relay module - EMG 10-OE-230AC/ 48DC/100 - 2948953

Circuit diagram



Circuit diagram



Output: 2-wire, floating, plus switching

© Phoenix Contact 2013 - all rights reserved
<http://www.phoenixcontact.com>