

Safety relays - PSR-SCP- 24DC/FSP2/2X1/1X2 - 2986575

Please be informed that the data shown in this PDF Document is generated from our Online Catalog. Please find the complete data in the user's documentation. Our General Terms of Use for Downloads are valid (<http://download.phoenixcontact.com>)



Safe coupling relay for SIL 2 high and low-demand applications, couples digital output signals to the I/O, 2 enabling current paths, 1 alarm contact, module for safe state off applications, integrated test pulse filter, plug-in screw terminal blocks, width: 17.5 mm

Product Features

- Narrow 17.5 mm housing
- Up to SIL 2 according to EN 61508
- Forcibly guided contacts according to EN 50205
- Easy proof test according to IEC 61508 thanks to integrated signal contact
- Long service life thanks to filtering of controller test pulses
- Two enabling current paths
- Couples digital output signals from failsafe controllers to I/O devices (valves, etc.) for electrical isolation and power adaptation



Key commercial data

package_quantity	1
GTIN	4046356553322

Technical data

Note:

Utilization restriction	EMC: class A product, see manufacturer's declaration in the download area
-------------------------	---

Dimensions

Width	17.5 mm
Height	99 mm
Depth	114.5 mm

Ambient conditions

Ambient temperature (operation)	-20 °C ... 55 °C
Ambient temperature (storage/transport)	-40 °C ... 70 °C
Max. permissible humidity (storage/transport)	≤ 75 % (Condensation and icing are not permitted based on the average annual temperature)
Max. permissible humidity (storage/transport)	≤ 85 % (On an individual basis, condensation and icing are not permitted)

Input data

Safety relays - PSR-SCP- 24DC/FSP2/2X1/1X2 - 2986575

Technical data

Input data

Nominal input voltage U_N	24 V DC
Input voltage range in reference to U_N	0.85 ... 1.1
Typical input current at U_N	55 mA
Typical inrush current	max. 100 mA
Typical response time	50 ms
Typical release time	50 ms
Recovery time	1 s

Output data

Contact type	2 undelayed enabling current paths
Contact type	1 undelayed confirmation current path
Contact material	AgCuNi, + 0.2 μ m Au
Maximum switching voltage	250 V AC/DC
Minimum switching voltage	15 V AC/DC
Limiting continuous current	5 A (N/O contact)
Limiting continuous current	100 mA (N/C contact)
Maximum inrush current	5 A
Inrush current, minimum	5 mA
Sq. Total current	$50 \text{ A}^2 (I_{TH}^2 = I_1^2 + I_2^2 + \dots + I_N^2)$
Interrupting rating (ohmic load) max.	120 W (24 V DC, $\tau = 0$ ms, N/C contact: 2.4 W)
Interrupting rating (ohmic load) max.	192 W (48 V DC, $\tau = 0$ ms, N/C contact: 4.8 W)
Interrupting rating (ohmic load) max.	162 W (60 V DC, $\tau = 0$ ms, N/C contact: 6 W)
Interrupting rating (ohmic load) max.	66 W (110 V DC, $\tau = 0$ ms, N/C contact: 11 W)
Interrupting rating (ohmic load) max.	60 W (220 V DC, $\tau = 0$ ms, N/C contact: 22 W)
Interrupting rating (ohmic load) max.	1250 VA (250 V AC, $\tau = 0$ ms, N/C contact: 25 VA)
Maximum interrupting rating (inductive load)	72 W (24 V DC, $\tau = 40$ ms, N/C contact: 2.4 W)
Maximum interrupting rating (inductive load)	43 W (48 V DC, $\tau = 40$ ms, N/C contact: 4.8 W)
Maximum interrupting rating (inductive load)	41 W (60 V DC, $\tau = 40$ ms, N/C contact: 6 W)
Maximum interrupting rating (inductive load)	35 W (110 V DC, $\tau = 40$ ms, N/C contact: 11 W)
Maximum interrupting rating (inductive load)	48 W (220 V DC, $\tau = 40$ ms, N/C contact: 22 W)
Switching capacity min.	75 mW
Output fuse	10 A gL/gG (N/O contact)
Output fuse	6 A gL/gG (N/C contact)

General

Relay type	Electromechanically forcibly guided, dust-proof relay.
Mechanical service life	Approx. 10^7 cycles
Mounting position	Any
Stop category	0
Name	Air and creepage distances between the power circuits
Standards/regulations	DIN EN 50178/VDE 0160
Rated surge voltage / insulation	6 kV / Safe isolation, increased insulation

Safety relays - PSR-SCP- 24DC/FSP2/2X1/1X2 - 2986575

Technical data

General

Rated insulation voltage	250 V
Pollution degree	2
Surge voltage category	III

Connection data

Conductor cross section solid min.	0.2 mm ²
Conductor cross section solid max.	2.5 mm ²
Conductor cross section stranded min.	0.2 mm ²
Conductor cross section stranded max.	2.5 mm ²
Conductor cross section AWG/kcmil min.	24
Conductor cross section AWG/kcmil max	12
Stripping length	7 mm
Screw thread	M3
Connection method	Screw connection

classifications

eCl@ss

eCl@ss 4.0	27371102
eCl@ss 4.1	27371102
eCl@ss 5.0	27371901
eCl@ss 5.1	27371901
eCl@ss 6.0	27371819
eCl@ss 7.0	27371819
eCl@ss 8.0	27371819

ETIM

ETIM 2.0	EC001449
ETIM 3.0	EC001449
ETIM 4.0	EC001449
ETIM 5.0	EC001449

UNSPSC

UNSPSC 6.01	30211901
UNSPSC 7.0901	39121501
UNSPSC 11	39121501
UNSPSC 12.01	39121501
UNSPSC 13.2	39121501

approvals

UL Listed / cUL Listed / Functional Safety / cULus Listed /

Safety relays - PSR-SCP- 24DC/FSP2/2X1/1X2 - 2986575

approvals

Approval details

UL Listed 

cUL Listed 

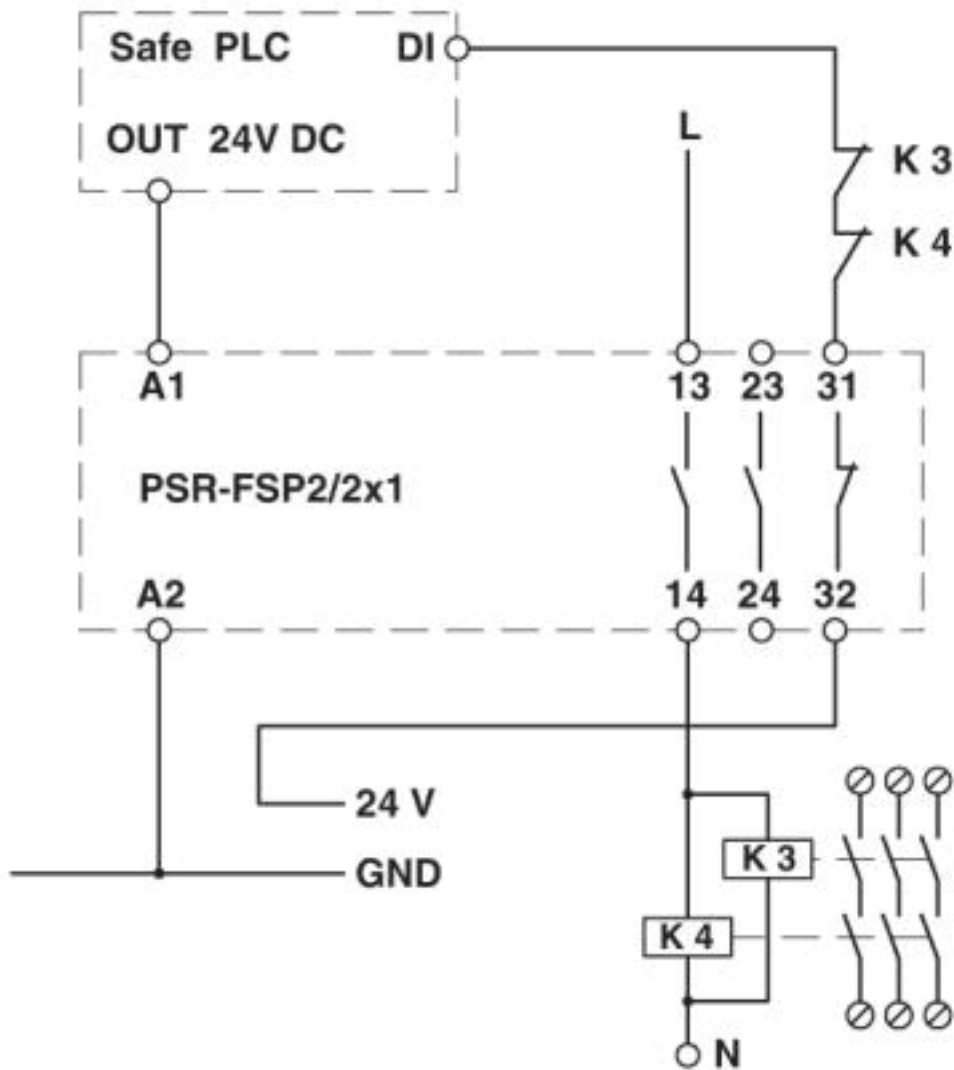
Functional Safety

cULus Listed 

Drawings

Safety relays - PSR-SCP- 24DC/FSP2/2X1/1X2 - 2986575

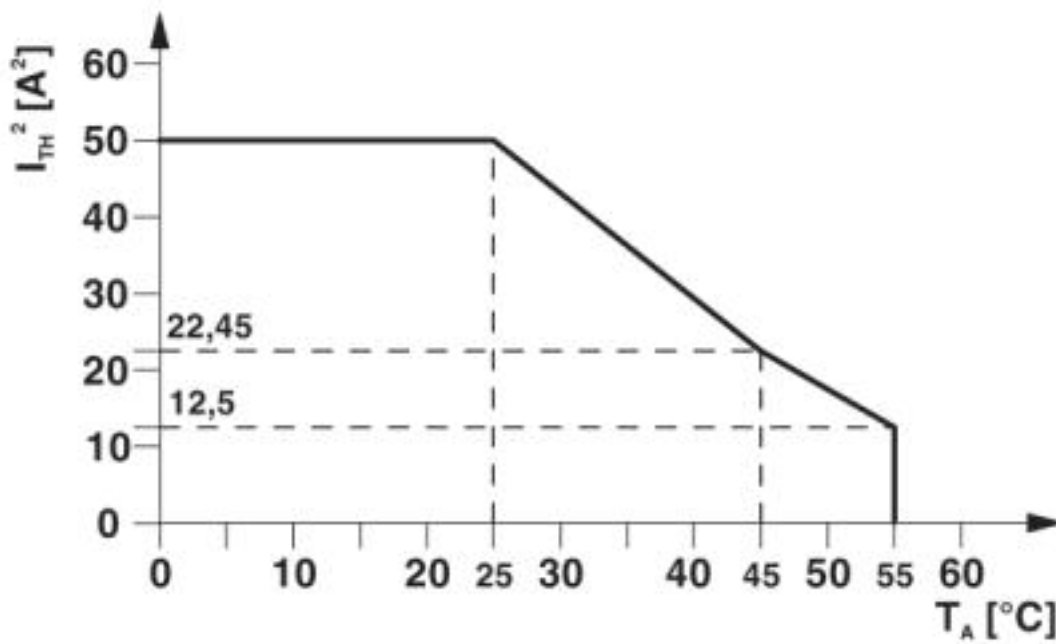
Connection diagram



Connection diagram

Safety relays - PSR-SCP- 24DC/FSP2/2X1/1X2 - 2986575

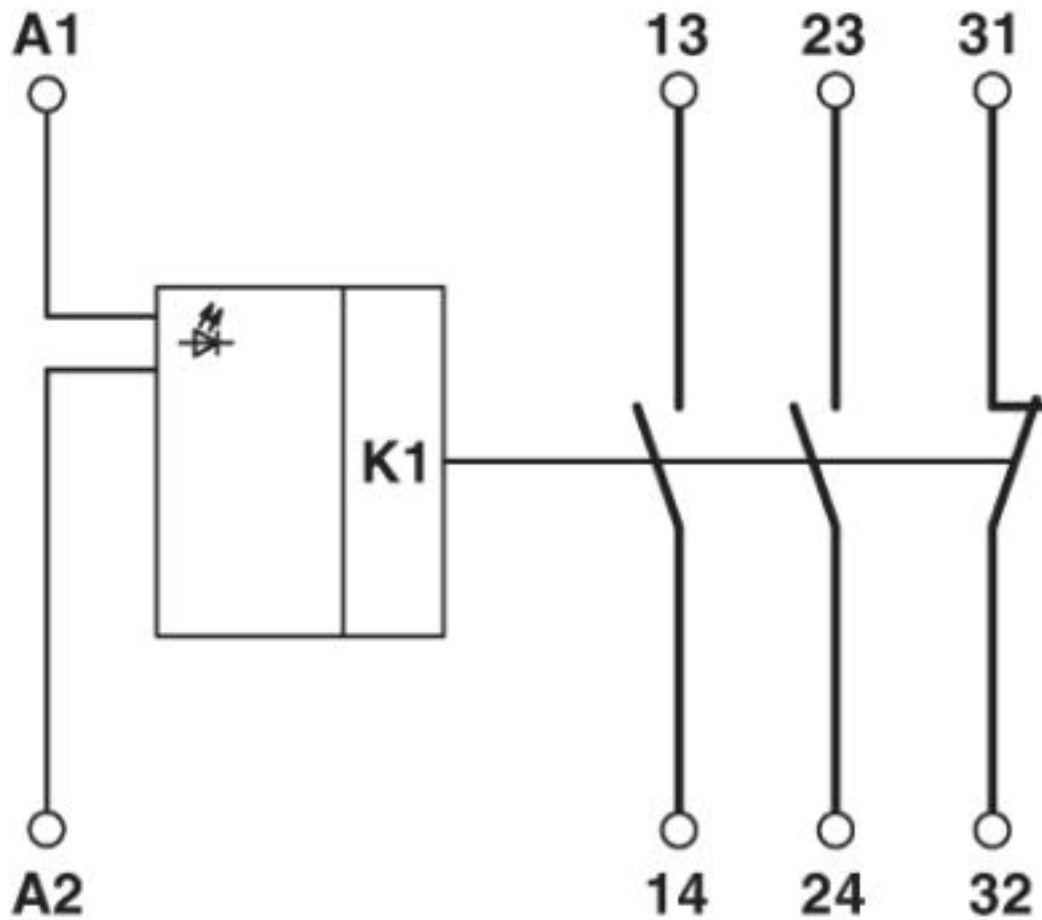
Diagram



Derating curve

Safety relays - PSR-SCP- 24DC/FSP2/2X1/1X2 - 2986575

Circuit diagram



© Phoenix Contact 2013 - all rights reserved
<http://www.phoenixcontact.com>