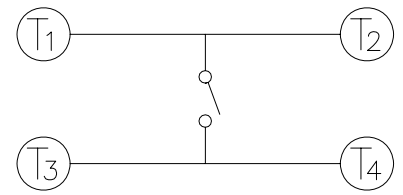
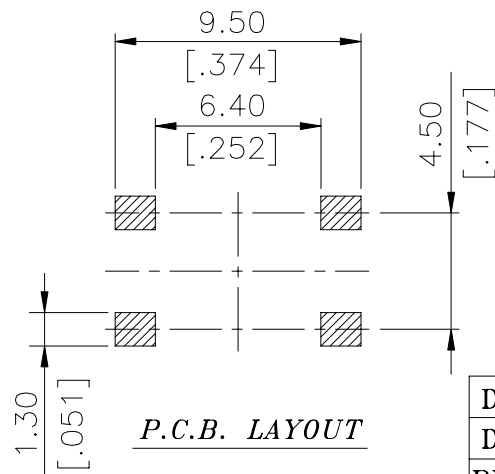
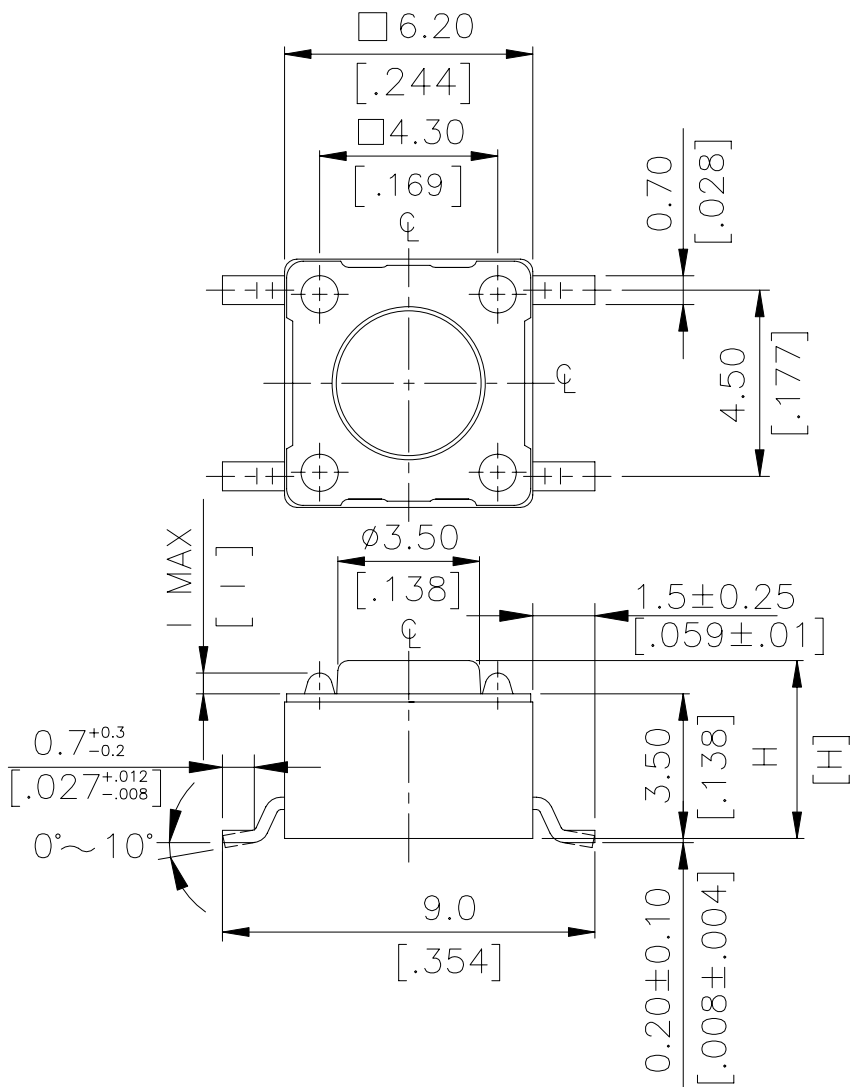


DTSM(G)-6(2) SERIES

DIMENSIONS

DTSM-6



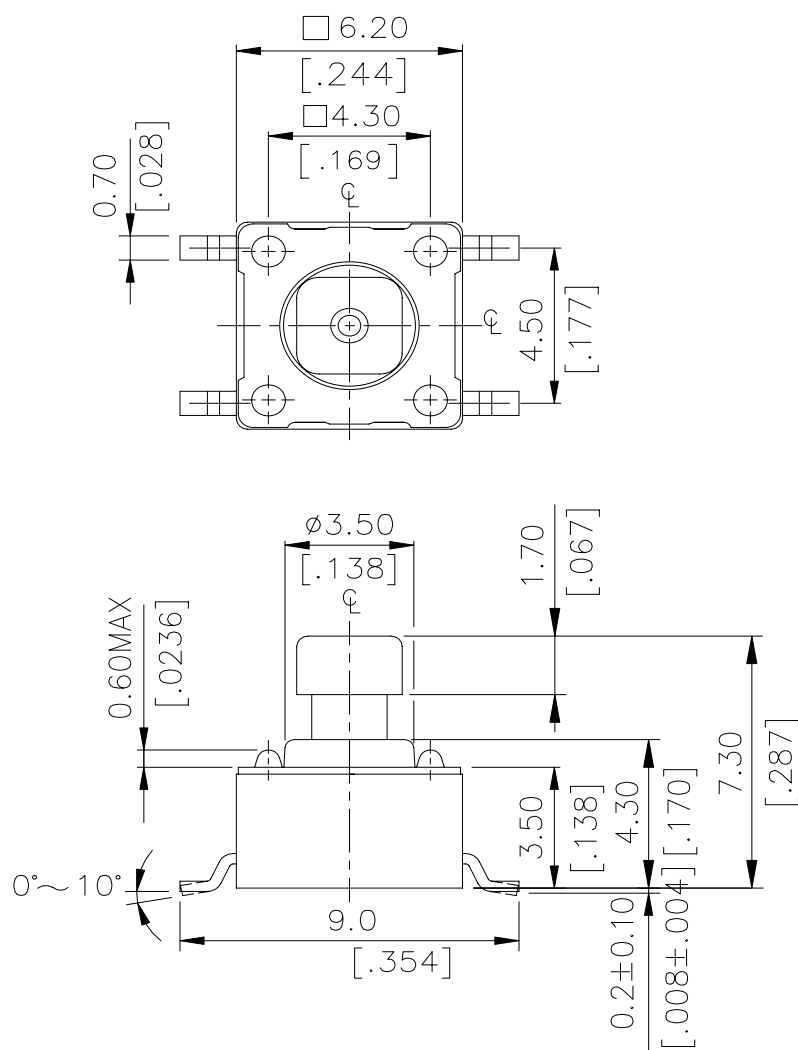
CIRCUIT DIAGRAM

DTSM-6 2~66	0.6 MAX	.0236MAX
DTSM-6 1	0.5 MAX	.0197MAX
PROD. NO.	I	INCHES.

DTSM-6 6	13.0 [.512]
DTSM-6 5	9.5 [.374]
DTSM-6 3	7.0 [.275]
DTSM-6 2	5.0 [.197]
DTSM-6 1	4.3 [.169]
PROD. NO.	H

General Tolerance : ±0.2mm

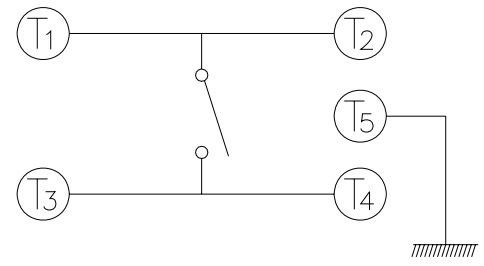
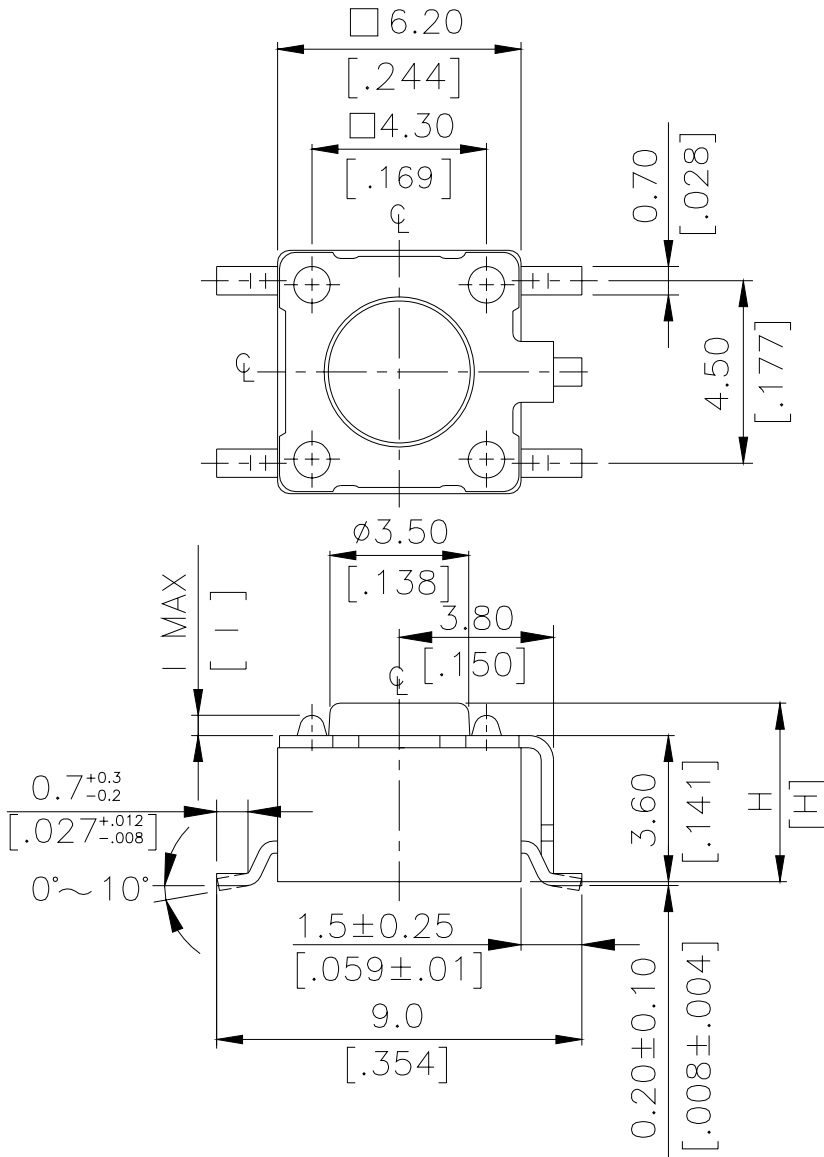
DTSM-64



DTSM-644	<input type="checkbox"/> A	2.4	[.095]
	<input type="checkbox"/> B	1.6	[.063]
DTSM-648	<input type="checkbox"/> A	2.8	[.110]
	<input type="checkbox"/> B	2.0	[.079]
PROD. NO.	LOC.	MM.	INCH.

General Tolerance : ±0.2mm

DTSMG-6



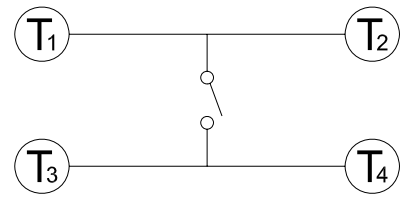
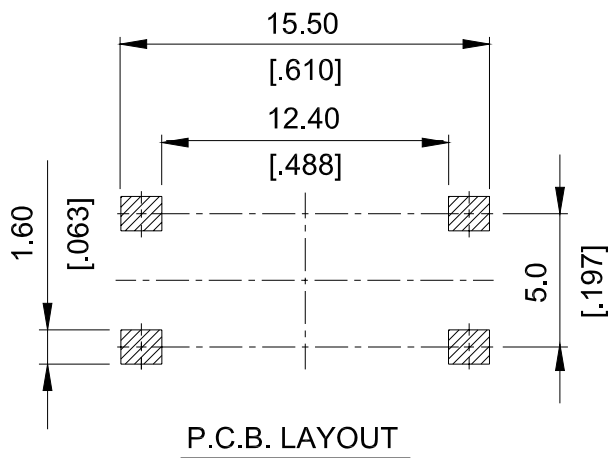
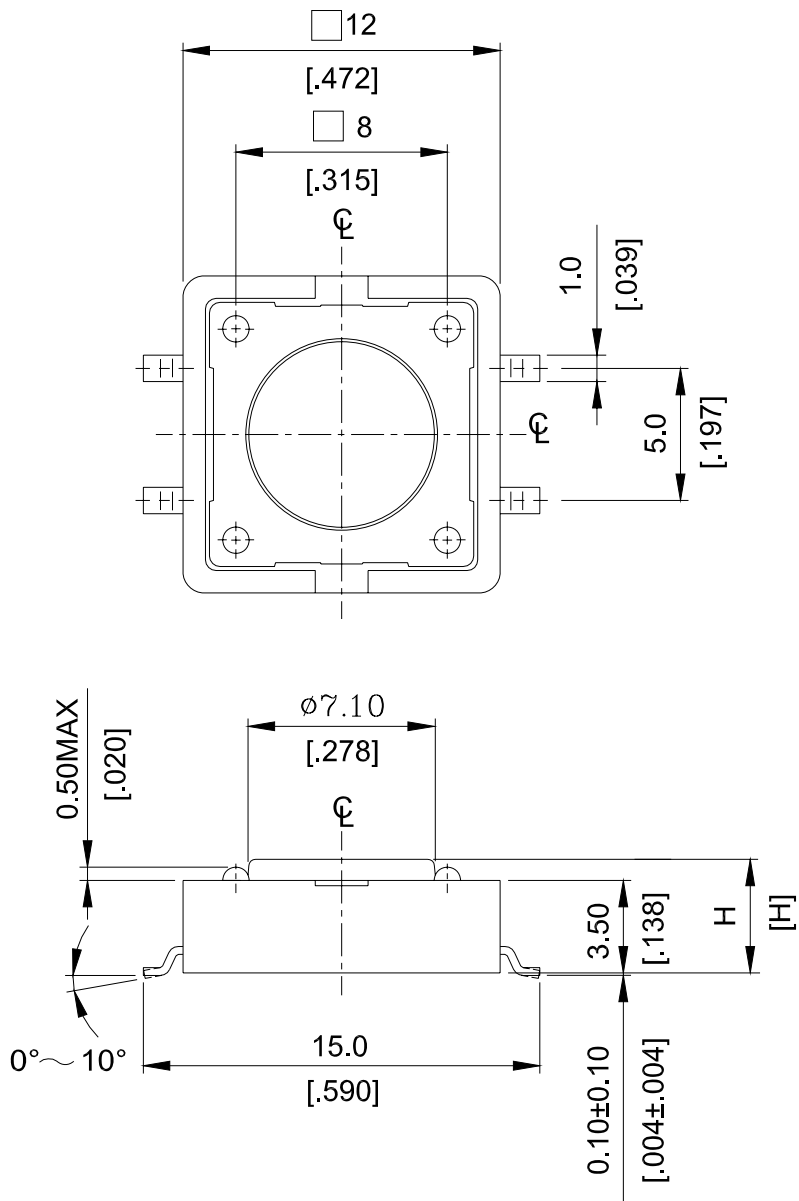
CIRCUIT DIAGRAM

DTSMG-62~66□-V	0.5 MAX	.02MAX
DTSMG-61□-V	0.4 MAX	.016MAX
PROD. NO.	I	INCHES.

DTSMG- 6 6 □ -V	13.0 [.512]
DTSMG- 6 5 □ -V	9.5 [.374]
DTSMG- 6 3 □ -V	7.0 [.275]
DTSMG- 6 2 □ -V	5.0 [.197]
DTSMG- 6 1 □ -V	4.3 [.169]
PROD. NO.	H

General Tolerance : ±0.2mm

DTSM-2

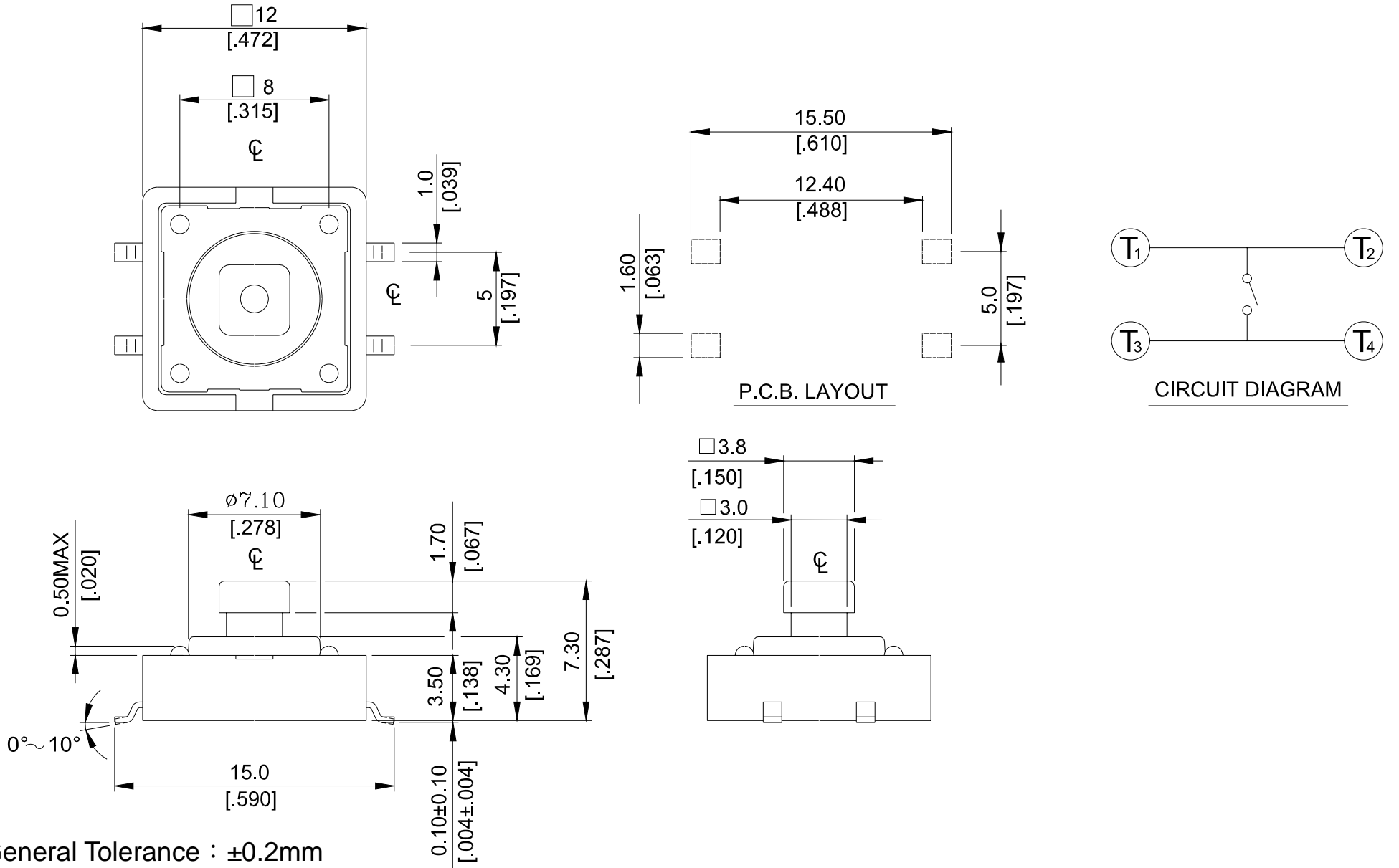


CIRCUIT DIAGRAM

DTSM-25	8.5 [.335]
DTSM-21	4.6 [.169]
PARO NO	H

General Tolerance : ±0.2mm

DTSM-24



General Tolerance : ±0.2mm

HOW TO ORDER

DTSM - - - -

- (230)=Total H:5.21mm,Pitch 10mm
- (221)=Pitch 10mm
- (231)=Total H:6.0mm
- (213)=Total H:5.21mm

- Package style:
- =Tube
 - T/R=Tape & Reel
 - <(Except DTSM-66)>

- Soldering:
- V=Lead Free Solderable

- Color Of Stem For Operating Force:
- K=Black,100gf
 - N=Brown,160gf
 - R=Red,260gf
 - S=Salmon,320gf
 - Y=Yellow,520gf

- Dimension H:
- 1=4.3mm
 - 2=5.0mm
 - 3=7.0mm
 - 44=7.3mm(SQ)X2.4mm
 - 48=7.3mm(SQ)X2.8mm
 - 5=9.5mm
 - 6=13mm

- Prod Size
- 6=6X6mm

- =Without Ground Terminal
- G=S.M.T & Ground Terminal

**Surface-Mourting Type Tactile Switch
(Non-Washable)**

DTSM - □ □ □ - □ - □

Package Style:

□=Tube

T/R=Tape & Reel

Soldering:

V=Lead Free Solderable

Color Of Stem For Operating Force:

N=Brown,160gf

R=Red,260gf

S=Salmon,320gf

Dimension H:

1=4.3mm

4=7.3mm(SQ)X3.8mm

5=8.5mm

Prod Size

2=12X12mm

Surface-Mourting Type Tactile Switch
(Non-Washable)

SPECIFICATION

△MECHANICAL

520 ± 130gf Yellow (Y)

320 ± 80gf Salmon (S)

Operation Force: 260 ± 50gf Red (R)

160 ± 50gf Brown (N)

100 ± 50gf Black (K)

Stroke: (6x6) 0.25 +0.2mm / -0.1mm

(12X12) 0.35 ±0.1mm

Operation Temperature: -25°C to +70°C

Storage Temperature: -30°C to +80°C

△ELECTRICAL

Electrical Life: 100,000 cycles for 320gf, 520gf

100,000 cycles for 260gf

200,000 cycles for 100gf, 160gf

Rating: 50mA , 12VDC

Contact Resistance: 100mΩ max.

Insulation Resistance: 100MΩ min. at 500VDC

Dielectric Strength: 250VAC/ minute

Contact Arrangement: SPST

MATERIALS

△COVER: Steel, Tin plated

△BASE: UL94V-0 Nylon Thermoplastic

Color: Black

△STEM: UL94V-0 Nylon Thermoplastic

Color: Black (100gf), Brown (160gf)

Red (260gf), Salmon (320gf)

Yellow (520gf)

△CONTACT DISC: Phosphor Bronze with silver cladding

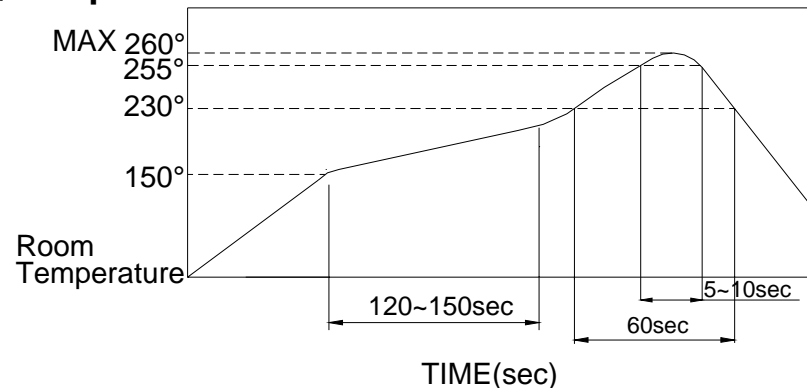
△TERMINAL: Brass with silver plated

SOLDERING PROCESS

△HAND SOLDERING : Use a soldering iron of 30 watts, controlled at 350°C approximately 5 seconds while applying solder.

△REFLOW SOLDERING : When applying reflow soldering, the peak temperature or the reflow oven should be set to 260°C max.

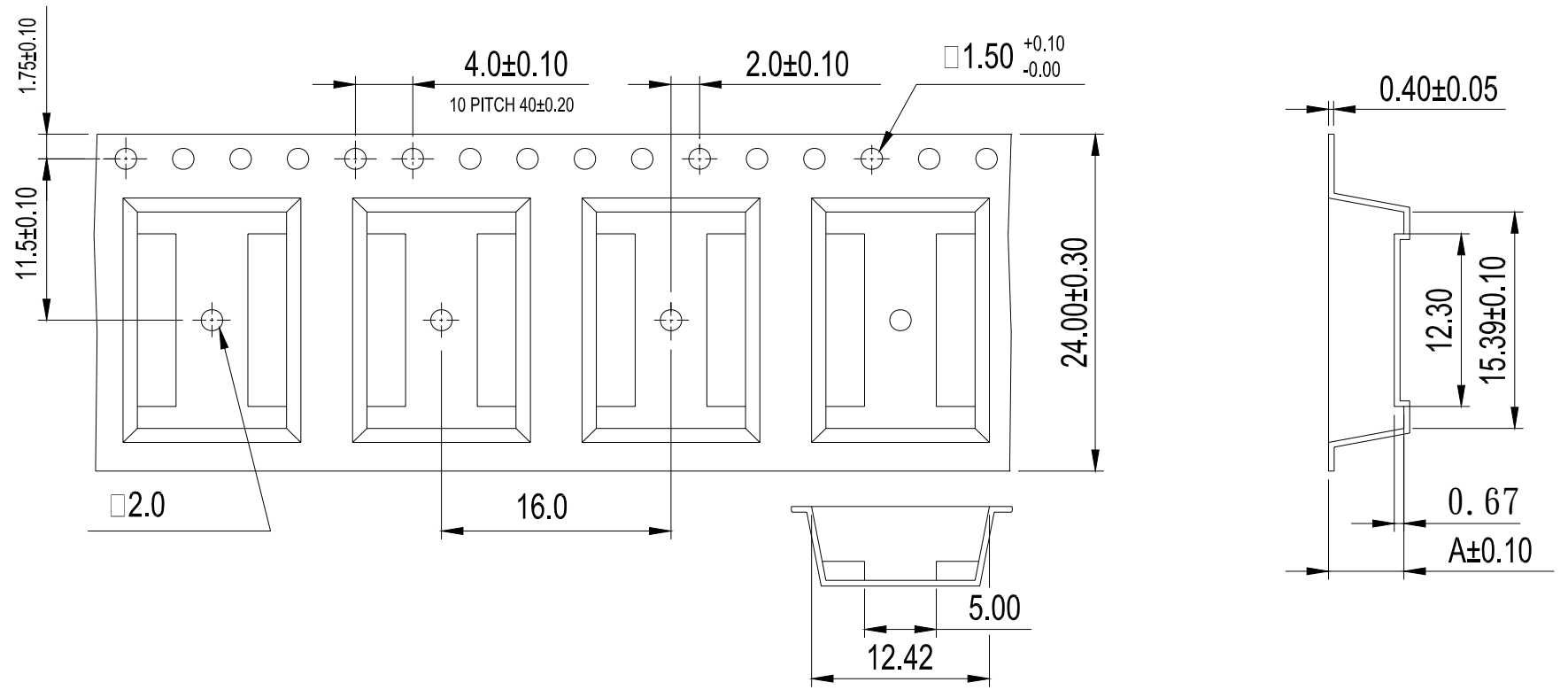
△ Temperature Profile:



PACKING

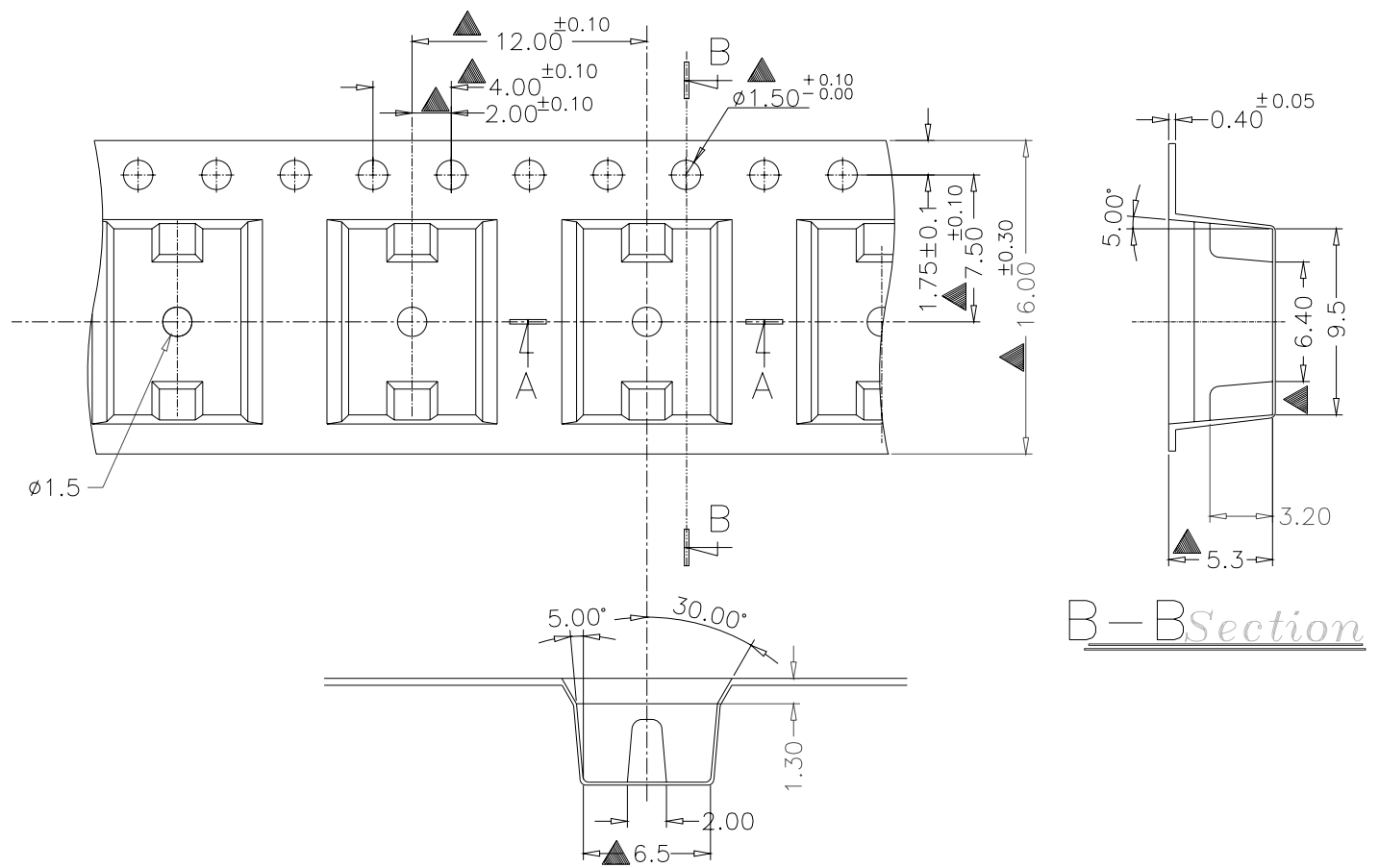
Part Number	Number Per Tube	Number Per Reel
DTSM-61	77	1000
DTSM-62	77	900
DTSM-63	77	700
DTSM-64	77	500
DTSM-65	77	380
DTSM-66	77	-
DTSM-21	40	700
DTSM-24	40	500
DTSM-25	40	400

DTSM-2 Reel



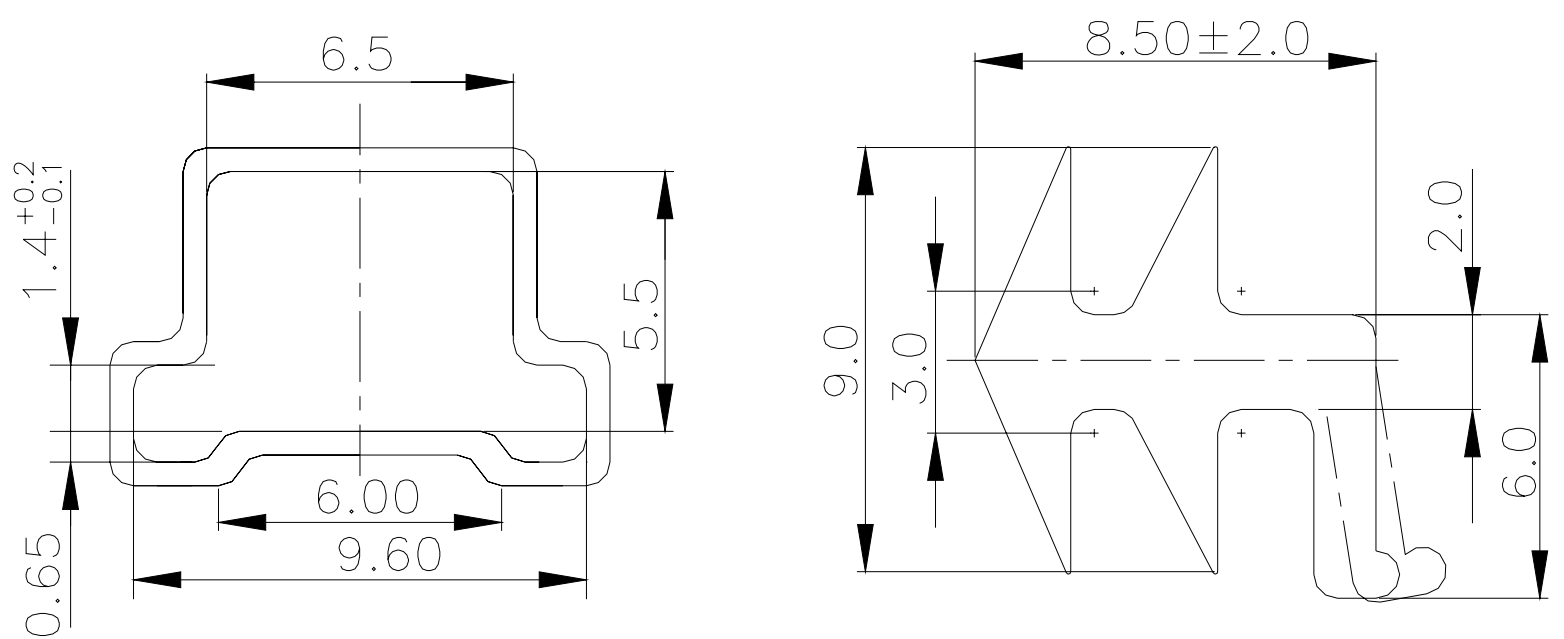
General Tolerance : ± 0.1 mm

DTSM-61.62 Reel



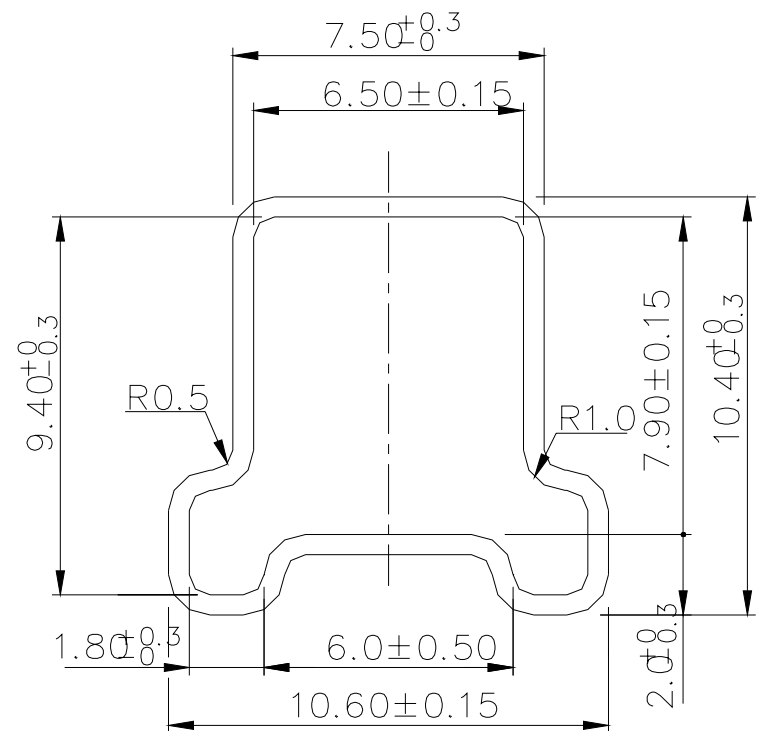
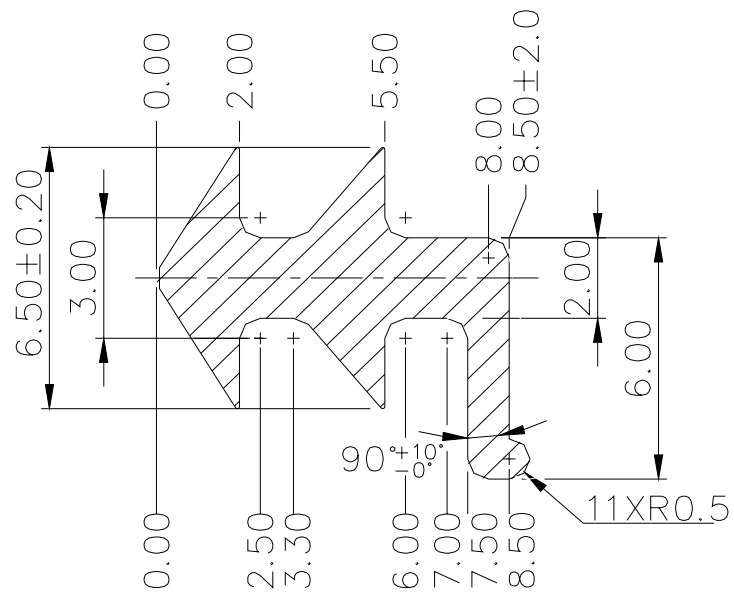
General Tolerance : ± 0.1 mm

DTSM-61.62 Tube



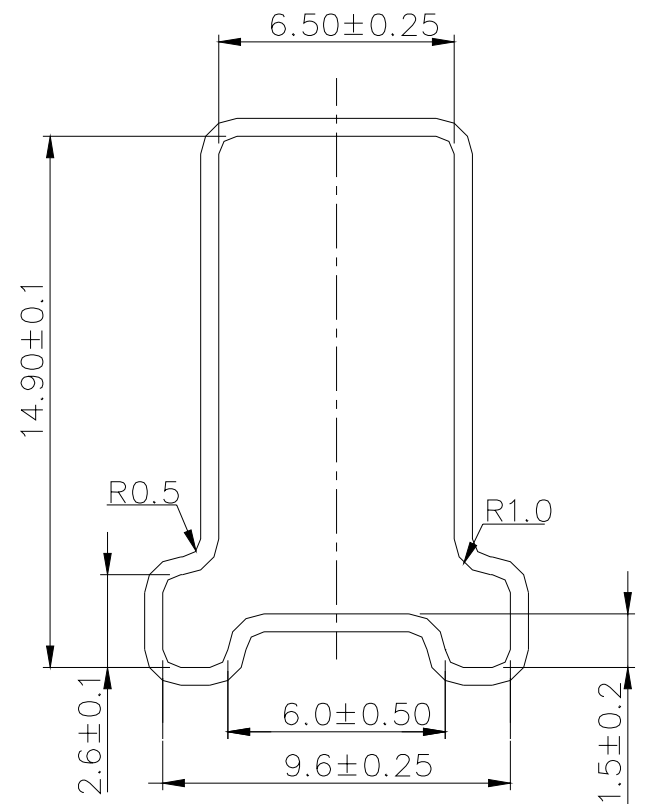
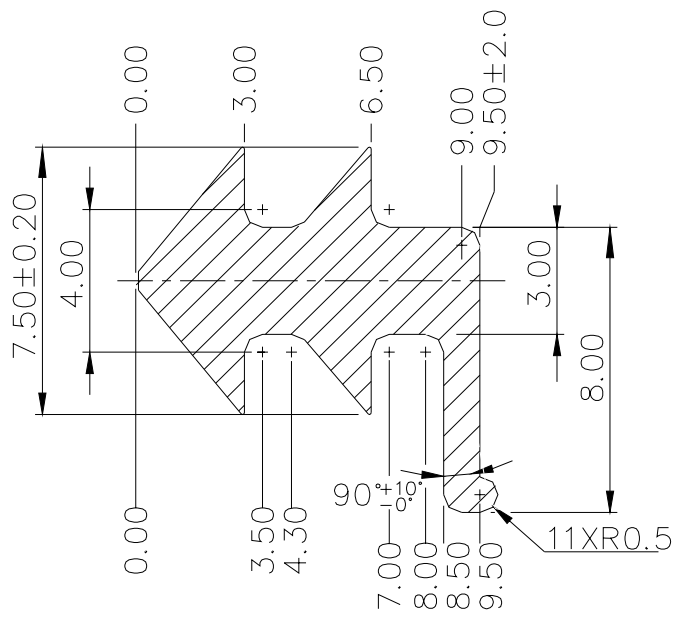
General Tolerance : ± 0.1 mm

DTSM-63.644(8) Tube



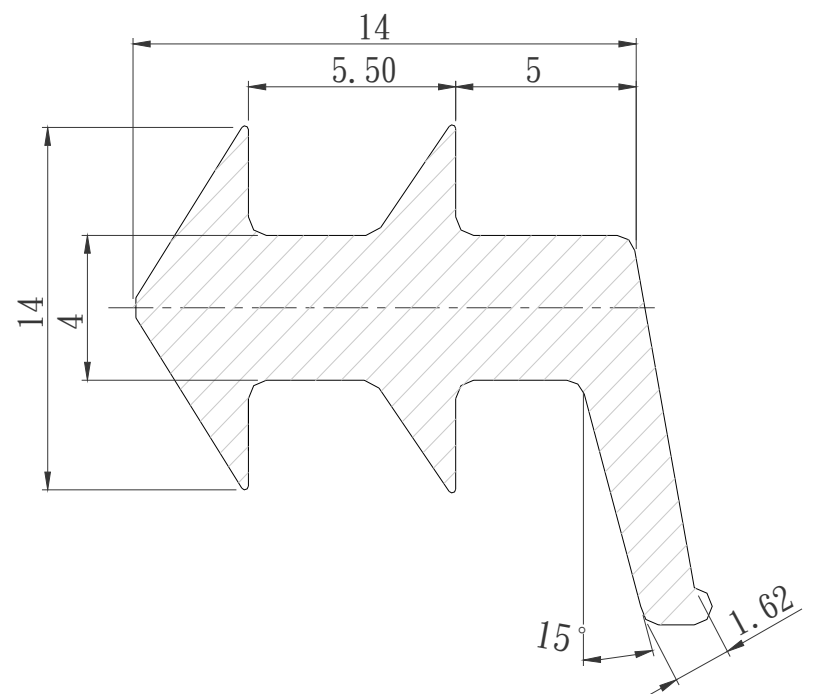
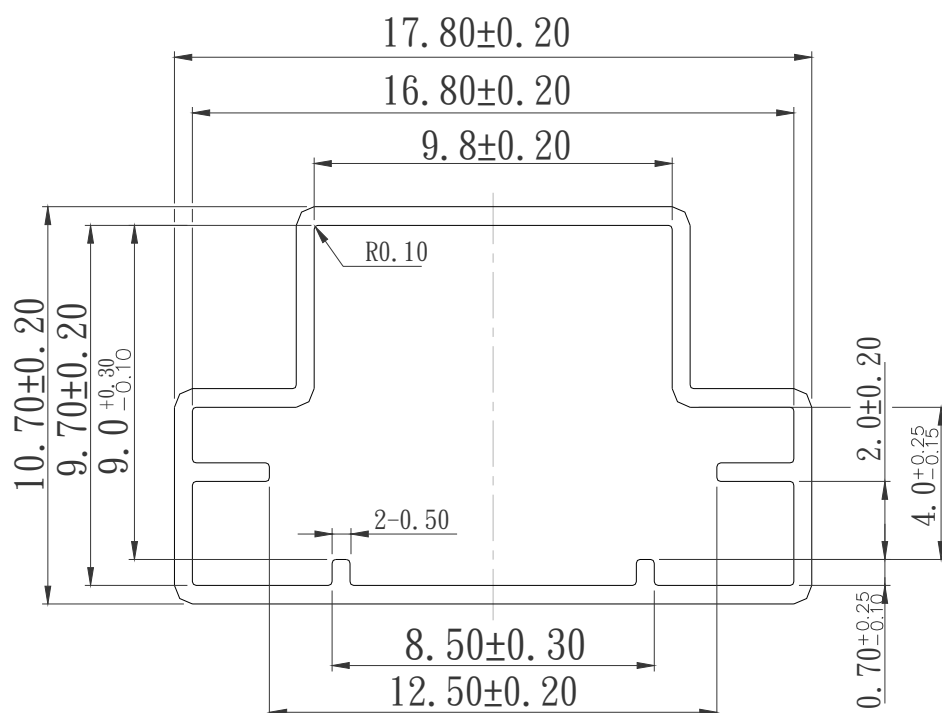
General Tolerance : ±0.1mm

DTSM-65.66 TUBE



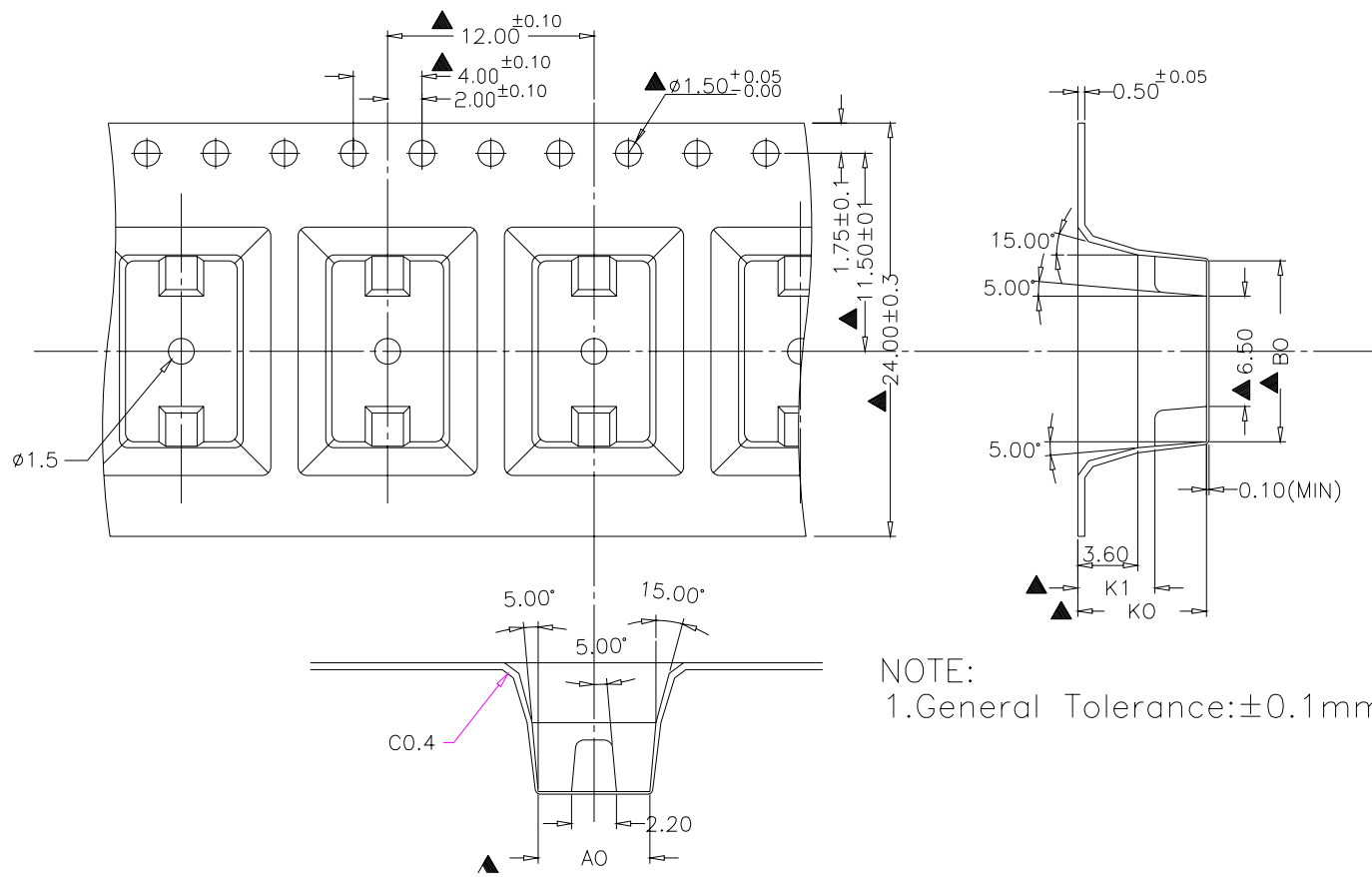
General Tolerance : ±0.1mm

DTSM-2 TUBE



General Tolerance : ±0.1mm

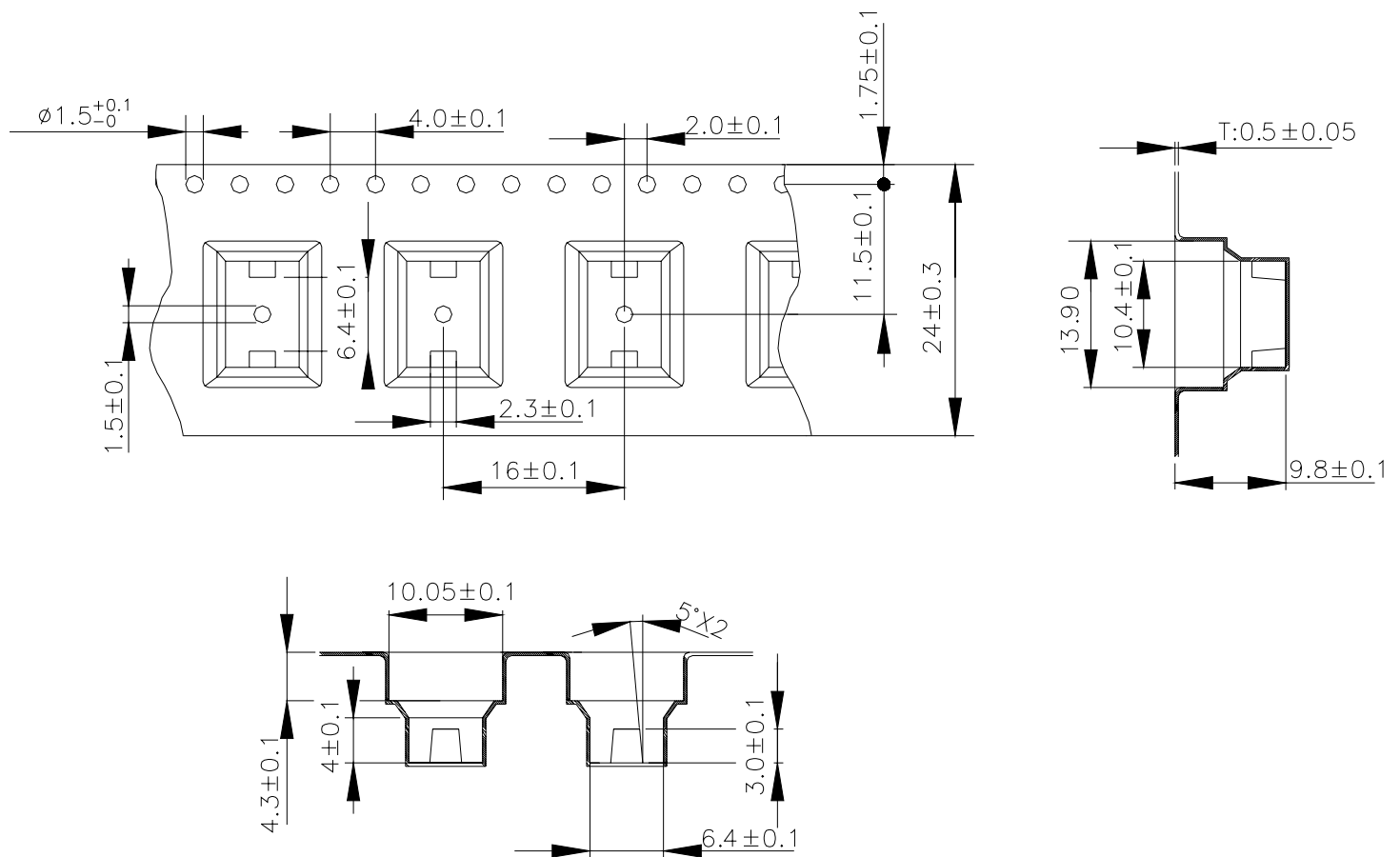
DTSM-64 Reel



NOTE:
1. General Tolerance: ± 0.1 mm

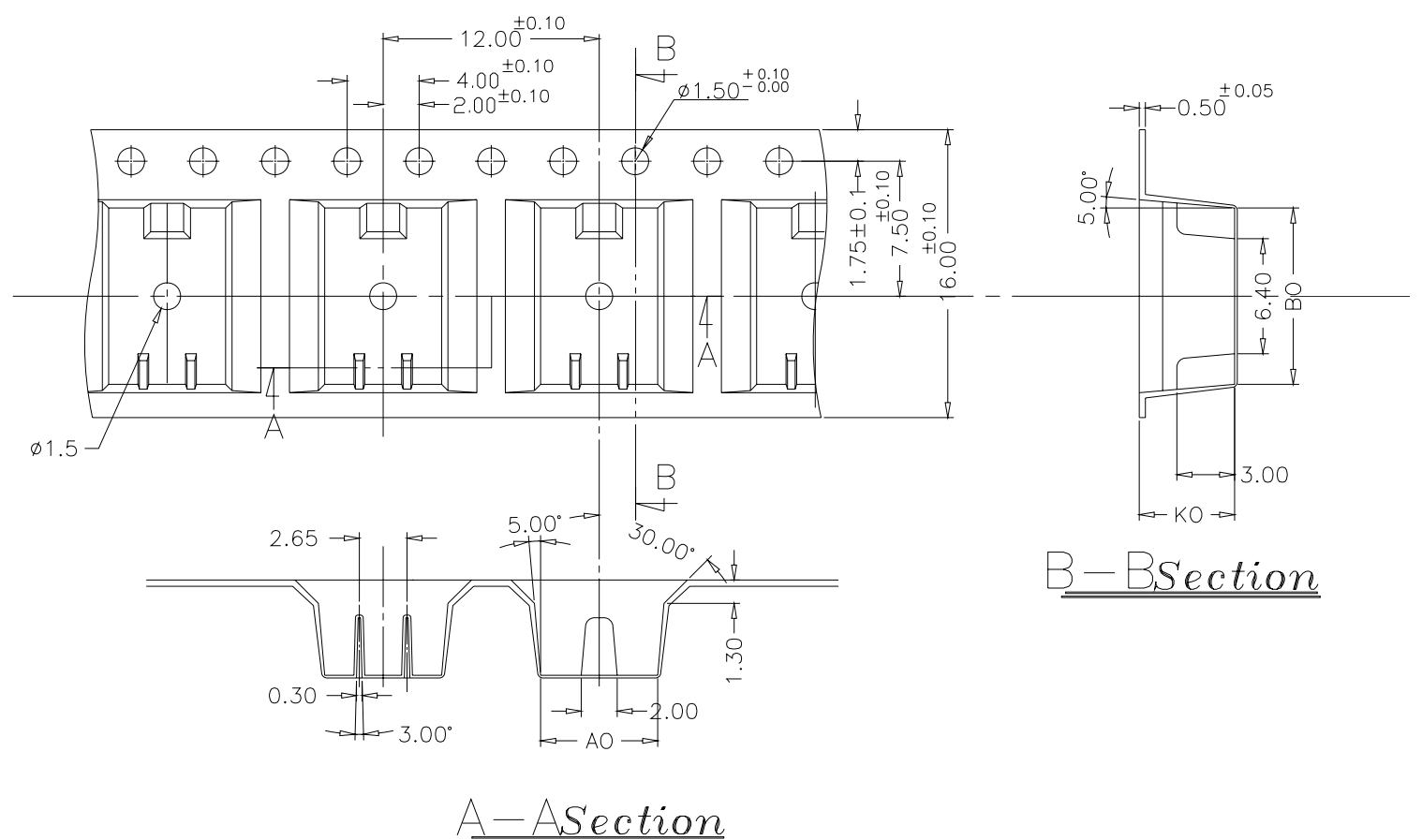
Ao	6.50 ± 0.10
Bo	10.00 ± 0.10
Ko	7.60 ± 0.10
K1	4.90 ± 0.10

DTSM-65 Reel



General Tolerance : ± 0.1 mm

DTSMG-61.62 Reel



B-B Section

A-A Section

General Tolerance : ± 0.1 mm