

## System connection - PLC-V8/FLK14/OUT/M - 2304102

Please be informed that the data shown in this PDF Document is generated from our Online Catalog. Please find the complete data in the user's documentation. Our General Terms of Use for Downloads are valid (<http://download.phoenixcontact.com>)



V8-OUTPUT adapter for eight 6.2 mm PLC interfaces (1 PDT, etc./see "Supplementary Products"). 14-pos. flat-ribbon cable connection for the PLC system cabling, control logic: Minus switching

The illustration shows version PLC-V8/FLK14/OUT



### Key commercial data

package_quantity	1
GTIN	4017918924430

### Technical data

#### Dimensions

Width	49.6 mm
Height	100 mm
Depth	94 mm

#### Ambient conditions

Ambient temperature (operation)	-40 °C ... 70 °C
Ambient temperature (storage/transport)	-40 °C ... 70 °C

#### General

Nominal voltage $U_N$	24 V DC $\pm$ 25%
Max. current carrying capacity per branch	1 A (per signal path)
Max. total current of voltage supply	3 A
Number of positions	14
Status display	Green LED
Test voltage	500 V (50 Hz, 1 min.)
Test voltage contact/contact	0.8 kV AC
Mounting position	Any
Assembly instructions	In rows with zero spacing
Standards/regulations	IEC 60664
Standards/regulations	DIN EN 50178
Standards/regulations	IEC 62103

# System connection - PLC-V8/FLK14/OUT/M - 2304102

## Technical data

### General

<b>Pollution degree</b>	2
<b>Surge voltage category</b>	III
<b>Rated surge voltage</b>	0.8 kV

### Connection data for connection 1

<b>Connection name</b>	Power supply
<b>Number of connections</b>	1
<b>Connection method</b>	Screw connection
<b>Conductor cross section solid min.</b>	0.2 mm <sup>2</sup>
<b>Conductor cross section solid max.</b>	4 mm <sup>2</sup>
<b>Conductor cross section stranded min.</b>	0.2 mm <sup>2</sup>
<b>Conductor cross section stranded max.</b>	2.5 mm <sup>2</sup>
<b>Conductor cross section AWG/kcmil min.</b>	24
<b>Conductor cross section AWG/kcmil max</b>	12
<b>Stripping length</b>	8 mm
<b>Screw thread</b>	M3

### Connection data for connection 2

<b>Connection name</b>	Signal level
<b>Number of connections</b>	1
<b>Connection method</b>	IDC/FLK pin strip (2.54 mm)
<b>Number of positions</b>	14

### Supported controller

<b>Control</b>	ABB S800 I/O
<b>- suitable I/O card</b>	DO814
<b>Control</b>	YOKOGAWA CENTUM CS3000R3
<b>- suitable I/O card</b>	ADV551
<b>- suitable I/O card</b>	ADV561
<b>Control</b>	YOKOGAWA STARDOM
<b>- suitable I/O card</b>	NFDV551
<b>- suitable I/O card</b>	NFDV561
<b>Control</b>	MITSUBISHI MELSEC Q
<b>- suitable I/O card</b>	QX41
<b>- suitable I/O card</b>	QX41-S1
<b>- suitable I/O card</b>	QX42
<b>- suitable I/O card</b>	QX42-S1
<b>- suitable I/O card</b>	QH42P
<b>Control</b>	MITSUBISHI MELSEC L
<b>- suitable I/O card</b>	LX41C4
<b>- suitable I/O card</b>	LX42C4

# System connection - PLC-V8/FLK14/OUT/M - 2304102

## classifications

### eCl@ss

eCl@ss 4.0	27250313
eCl@ss 4.1	27250313
eCl@ss 5.0	27250313
eCl@ss 5.1	27250313
eCl@ss 6.0	27242208
eCl@ss 7.0	27242208
eCl@ss 8.0	27242208

### ETIM

ETIM 2.0	EC001423
ETIM 3.0	EC001423
ETIM 4.0	EC001423
ETIM 5.0	EC001423

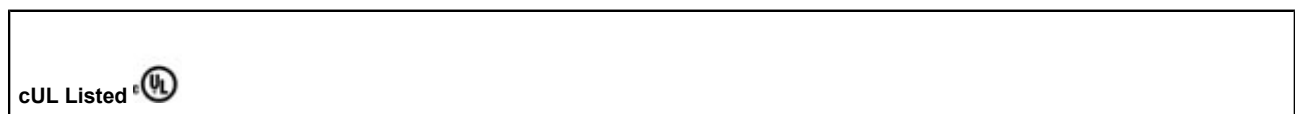
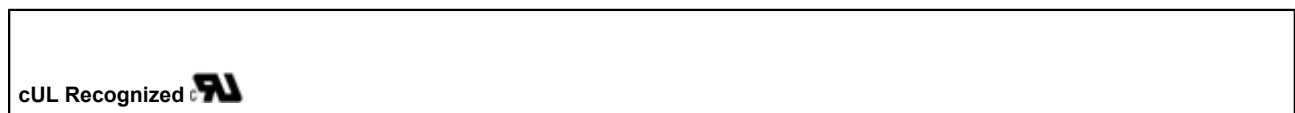
### UNSPSC

UNSPSC 6.01	30211824
UNSPSC 7.0901	39121402
UNSPSC 11	39121402
UNSPSC 12.01	39121402
UNSPSC 13.2	39121402

## approvals

UL Recognized / UL Listed / cUL Recognized / cUL Listed / GL / cULus Recognized / cULus Listed /

### Approval details




# System connection - PLC-V8/FLK14/OUT/M - 2304102

approvals

GL

cULus Recognized 

cULus Listed 

accessories

## System cable

CABLE-50/4FLK14/ 2,0M/YUC - 2314655



CABLE-50/4FLK14/ 3,0M/YUC - 2314668



CABLE-50/4FLK14/ 4,0M/YUC - 2314671



CABLE-50/4FLK14/ 6,0M/YUC - 2318978



## System connection - PLC-V8/FLK14/OUT/M - 2304102

### accessories

CABLE-50/4FLK14/10,0M/YUC - 2314684



---

CABLE-50/4FLK14/15,0M/YUC - 2322773



---

CABLE-50/4FLK14/20,0M/YUC - 2314778



---

FLKMIL-50/4FLK14/EZ-DR/ 100/CS - 2306951



---

FLKMIL-50/4FLK14/EZ-DR/ 200/CS - 2306304



---

FLKMIL-50/4FLK14/EZ-DR/ 300/CS - 2306964



## System connection - PLC-V8/FLK14/OUT/M - 2304102

### accessories

---

FLKMIL-50/4FLK14/EZ-DR/ 500/CS - 2306977



FLKMIL-50/4FLK14/EZ-DR/ 600/CS - 2318949



FLKMIL-50/4FLK14/EZ-DR/1000/CS - 2306980



FLKMIL-50/4FLK14/EZ-DR/1500/CS - 2301503



FLKMIL-50/4FLK14/EZ-DR/2000/CS - 2301914



## System connection - PLC-V8/FLK14/OUT/M - 2304102

### accessories

FLKMIL-50/4FLK14/EZ-DR/3000/CS - 2900159



---

### accessories

CABLE-50/4FLK14/28,0M/YUC - 2901386



---

CABLE-50/4FLK14/50,0M/YUC - 2314765

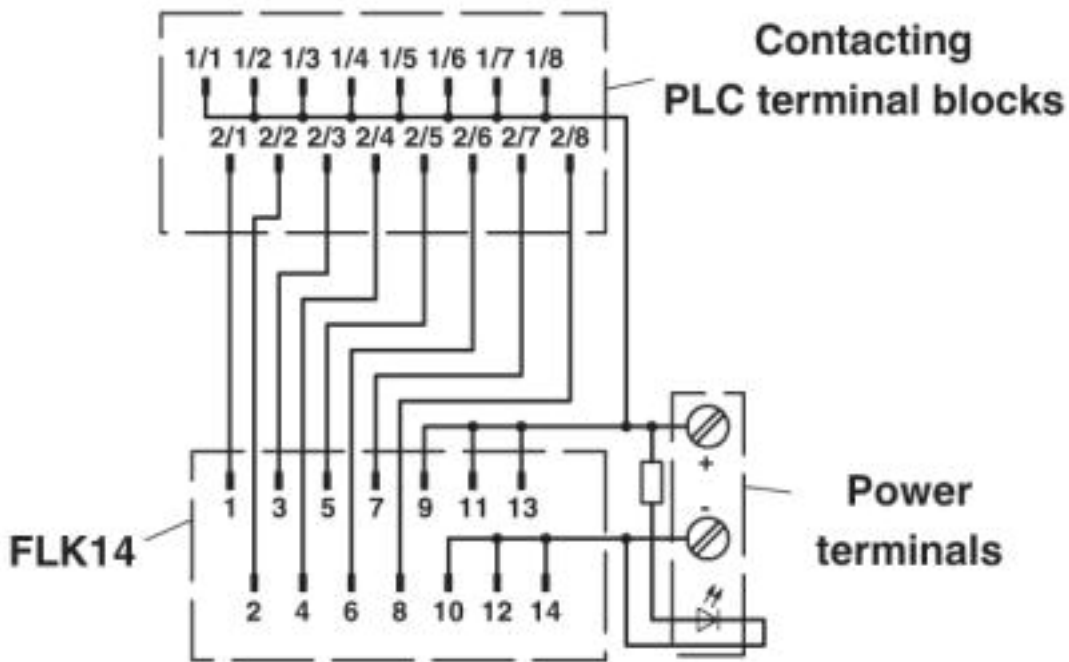


---

### Drawings

# System connection - PLC-V8/FLK14/OUT/M - 2304102

Circuit diagram



PLC-V8/FLK14/OUT/M connection scheme

© Phoenix Contact 2013 - all rights reserved  
<http://www.phoenixcontact.com>