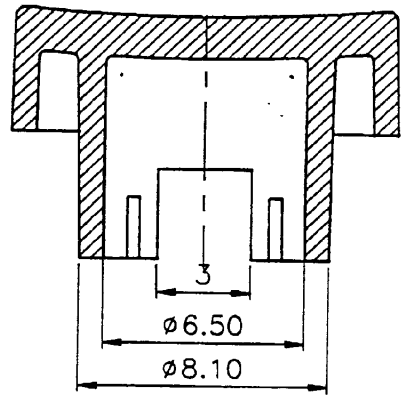
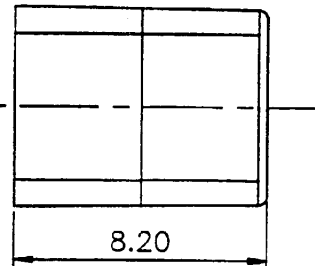
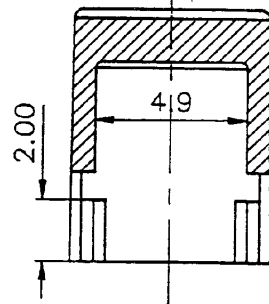


Snit A-A



Snit B-B



DIMENSIONS in mm.  
Unless otherwise specified  
all outer tolerances are  $\pm 0,1$  mm

SCALE:	DATE	SIGN.
5:1		
APPROVED	220196	H.L.

COPYRIGHT MEC A/S

This technical document is the property of MEC A/S, Denmark, and shall not be used for any other purpose than facilitating the installation and use of our products. It may not be copied, reproduced, transmitted or communicated to a third party without the prior consent of MEC A/S

U.S. Patent No. 5,199,557.

DRAWING NO.

21810

MULTEC® CAP 1P

# TECHNICAL SPECIFICATIONS - 1P CAP

## Material Specifications

Material	Colours	
ABS	Code Description	Approx. RAL No.
	00 blue	5012
	02 green	6018
	03 grey	7004
	04 yellow	1023
	06 white	9010
	08 red 09 black	3000 9004

Flamability	UL94V1
-------------	--------

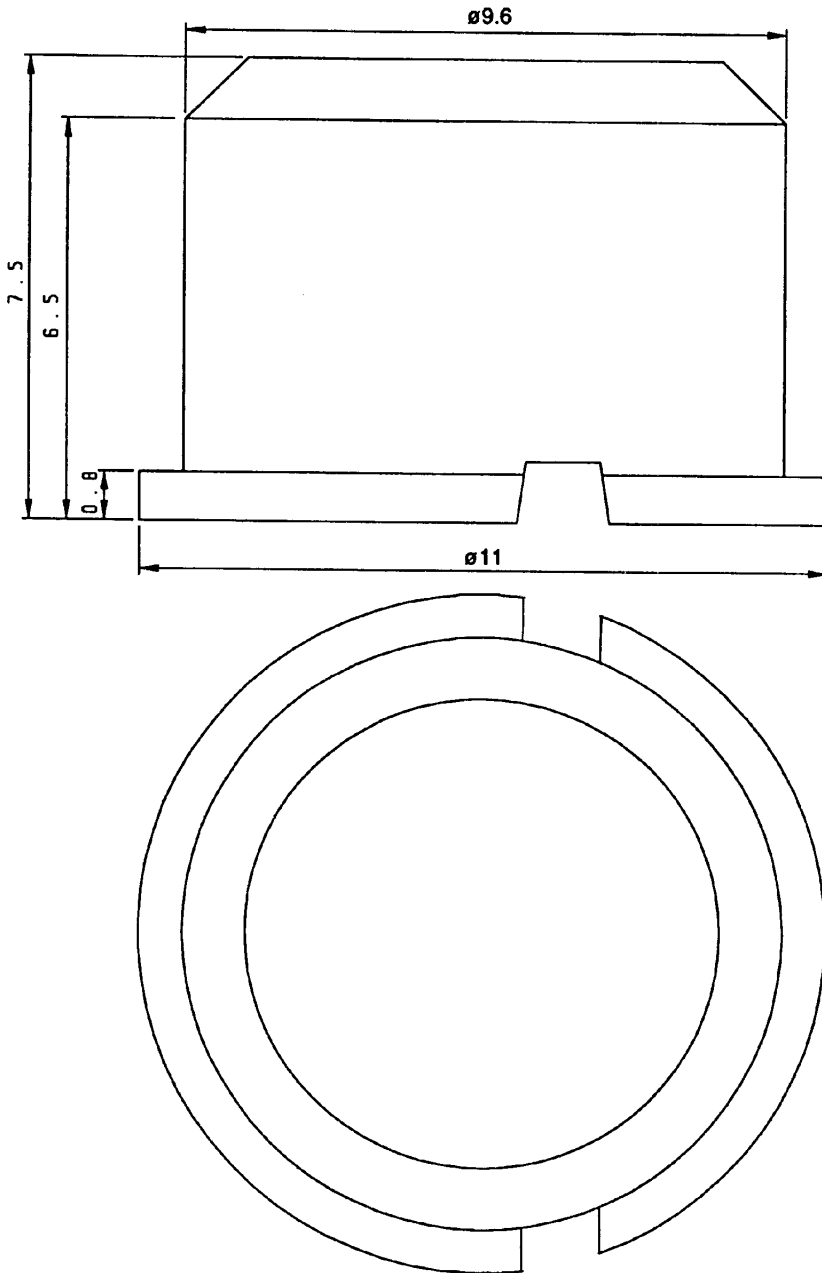
## Temperature Range

Working temperature	-40°C - +65°C
Storage temperature	Max. +65°C
Soldering	<p><b>Precaution!</b>            If infrared, vapour phase or wave soldering is used, do not forget to mount the buttons <u>after</u> the soldering. The buttons can stand max. 85°C for max. 5 minutes.</p>

Cleaning	Standard methods such as freon, water and soap.
----------	---

Custom colours	Min. order 10.000 pcs. Please ask for details.
----------------	---

To be combined with	3F switch
---------------------	-----------



**DIMENSIONS in mm.**  
 Unless otherwise specified  
 all outer tolerances are  $\pm 0,1$  mm

SCALE: 10:1	DATE	SIGN.
APPROVED	230992	CE

**MULTIMEC® CAP 1D**

**COPYRIGHT MEC A/S**  
 This technical document is the property  
 of MEC A/S, Denmark, and shall not be  
 used for any other purpose than  
 facilitating the installation and use of our  
 products. It may not be copied,  
 reproduced, transmitted or  
 communicated to a third party without  
 the prior consent of MEC A/S.  
 U.S. Patent No. 5,199,557.

DRAWING NO. 21250

# TECHNICAL SPECIFICATIONS - 1D CAP

## Material Specifications

Material	Colours	
ABS	Code	Description
	00	blue
	02	green
	03	grey
	04	yellow
	06	white
	08	red
	09	black
		Approx. RAL No.
		5012
		6018
		7004
		1023
		9010
		3000
		9004

Flamability	UL94V1
-------------	--------

## Temperature Range

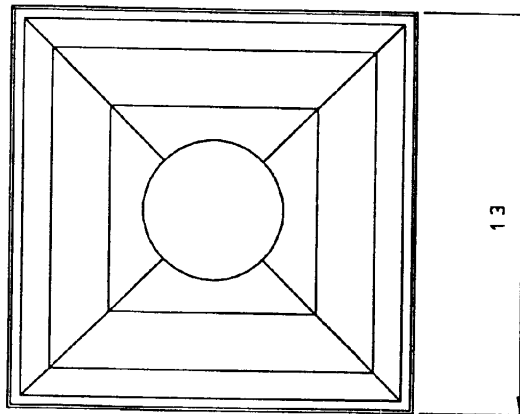
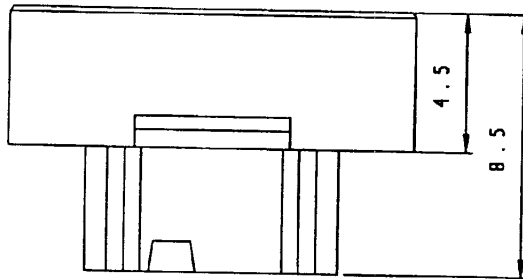
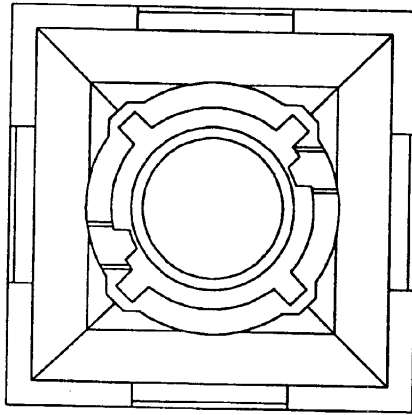
Working temperature	-40°C - +65°C
Storage temperature	Max. +65°C
Soldering	Precaution! If infrared, vapour phase or wave soldering is used, do not forget to mount the buttons after the soldering. The buttons can stand max. 85°C for max. 5 minutes.

Cleaning	Standard methods such as freon, water and soap
----------	--

Custom colours	Min. order 10,000 pcs. Please ask for details.
----------------	---

To be combined with	3F switch
---------------------	-----------

COPYRIGHT MEC A/S



**DIMENSIONS** in mm.  
 Unless otherwise specified  
 all outer tolerances are  $\pm 0,1$  mm

SCALE: 5:1	DATE	SIGN.
APPROVED	180293	CE

**MULTIMEC® REFLECTOR 1KXXX6**

**COPYRIGHT MEC A/S**

This technical document is the property of MEC A/S, Denmark, and shall not be used for any other purpose than *facilitating the installation and use of our products*. It may not be copied, reproduced, transmitted or communicated to a third party without the prior consent of MEC A/S.

U.S. Patent No. 5,199,557.

**DRAWING NO. 21300**

# TECHNICAL SPECIFICATIONS - 1K REFLECTOR

## Material Specifications

Material	Colours					
ABS	<table border="1"><thead><tr><th>Code</th><th>Description</th></tr></thead><tbody><tr><td>06</td><td>white</td></tr></tbody></table>	Code	Description	06	white	Approx. RAL No. 9010
Code	Description					
06	white					

Flamability	UL94V1
-------------	--------

## Temperature Range

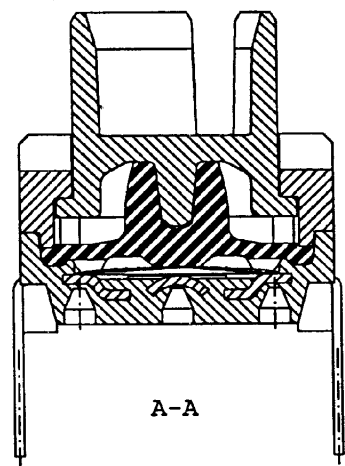
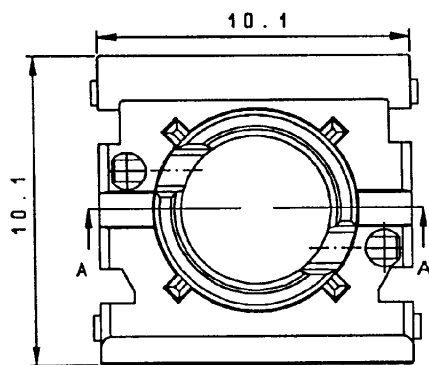
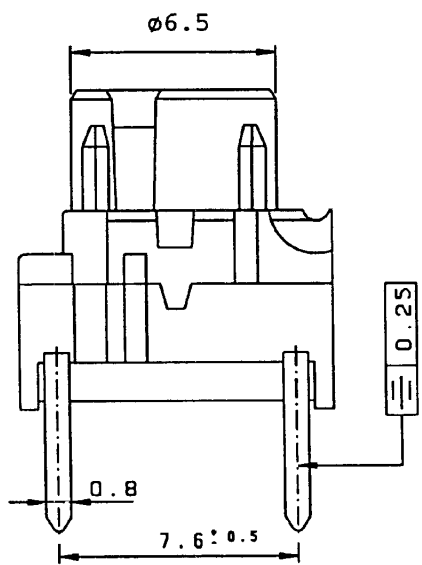
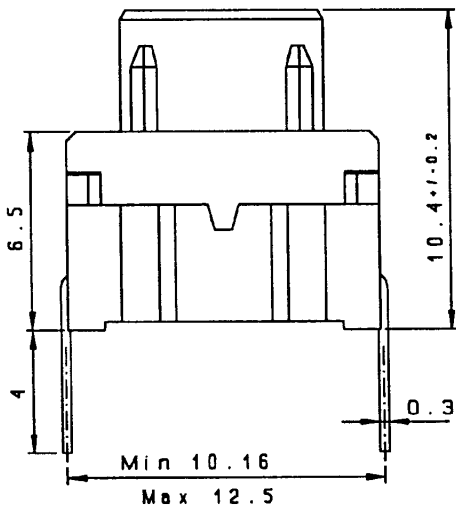
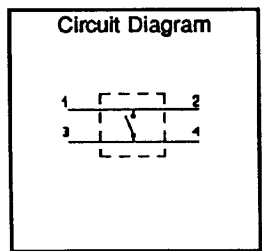
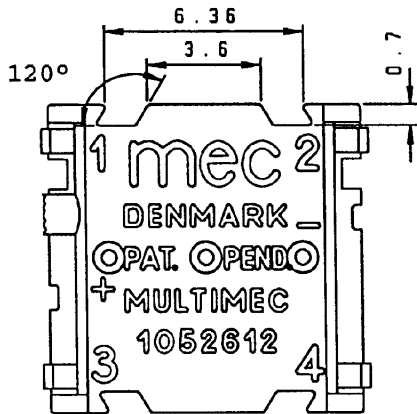
Working temperature	-40°C - +65°C
Storage temperature	Max. +65°C
Soldering	Precaution! If infrared, vapour phase or wave soldering is used, do not forget to mount the buttons after the soldering. The buttons can stand max. 85°C for max. 5 minutes.

Cleaning	Standard methods such as freon, water and soap
----------	--

Custom colours	Min. order 10.000 pcs. Please ask for details.
----------------	---

To be combined with	3FT switch + 1K cap + 1KXX1 lens
---------------------	----------------------------------

COPYRIGHT MEC A/S



**DIMENSIONS** in mm.  
Unless otherwise specified  
all outer tolerances are  $\pm 0,1$  mm

SCALE: 5:1	DATE	SIGN.
APPROVED	030591	CE

**MULTIMEC® SWITCH 3FT**

**COPYRIGHT MEC A/S**  
This technical document is the property  
of MEC A/S, Denmark, and shall not be  
used for any other purpose than  
facilitating the installation and use of our  
products. It may not be copied,  
reproduced, transmitted or  
communicated to a third party without  
the prior consent of MEC A/S.

U.S. Patent No. 5,199,557.

**DRAWING NO. 213FT**

## TECHNICAL SPECIFICATIONS - 3FI

Low Temperature Version		High Temperature Version		
Part Number	3FTL6	3FTL6G	3FTH9	3FTH9G

### Electrical Specifications

Contact resistance	< 30 mΩ - typically 10 mΩ			
Insulation resistance (off)	> 10 MΩ			
Recommended load	0,5 - 50mA, 24VDC	0 - 50mA, 24VDC	0,5 - 50mA, 24VDC	0 - 50mA, 24VDC
Contact bounce	< 2 mS - typically < 0,5 mS			

### Mechanical Specifications

Key pressure (switch)	2,5 ± 0,2 N
Key travel (switch)	1 mm
Life time (switch)	> 10.000.000 cycles

### Material Specifications

Housing	Dark grey Polycarbonate UL94V1	Black PPS UL94V1		
Actuator	White ABS UL94V1	Black PPS UL94V1		
Sealing + spring	Silicone rubber			
Contact spring	BeCu + 3μAG	BeCu + 3μAG + 3μAU	BeCu + 3μAG	BeCu + 3μAG + 3μAU
Terminals	SNCU + 2μNI + 3μAG	SNCU + 2μNI + 3μAU	SNCU + 2μNI + 3μAG	SNCU + 2μNI + 3μAU

### Temperature Range

Working temperature	-40°C - +65°C	-40°C - +160°C
Storage temperature	Max. +65°C	Max. +160°C
Soldering IEC 68-2-20	Wave - max. 260°C for max. 10 Sec. Soldering iron - max. 350°C for max. 3 Sec. Flux tight	Infrared, vapour phase, wave - max. 260°C for max. 30 Sec. Soldering iron - max. 350°C for max. 3 Sec. Flux tight

### Environmental Endurance IEC 68-2-3

Temperature	40°C
Humidity	93% RH
Duration	56 Days

### Temperature Cycling IEC 68-2-14

Temperature limit	Min. -55°C - max. +85°C
Number of cycles	200
Exposure time at each temperature	10 min.
Recovery time before measurements	16 hrs.

Sealing IEC 529	IP-67M
--------------------	--------

Cleaning	Standard methods such as freon, water and soap
----------	--