

# Control Stations

solutions...



**Control stations with mushroom heads**  
pre-assembled



**Standard Control stations with buttons**  
1, 2 or 3 buttons



**Empty Enclosures**  
1, 2, 3, 4 or 5 holes



**Custom Pre-Assembled Enclosures**  
1, 2, 3, 4 or 5 holes

## ► ADVANTAGES

*"All types of control station applications can be achieved"*

- Multipurpose, pre-equipped with pushbuttons, emergency stops, selector switches, key switches, etc.
- Enclosures for custom assembly 1,2,3,4 or 5 holes
- Up to 3 blocks per position
- Innovative design

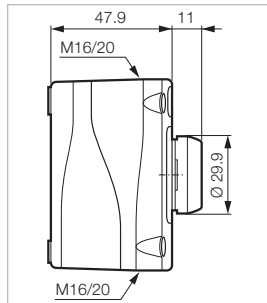
# Control Stations $\varnothing$ 22

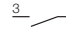
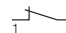
## ▶ CONTROL STATIONS - NON-ILLUMINATED

 Technical Info (p. 103)

### SPRING RETURN - FLUSH

Part Number



- Green NO 
- Red NC 

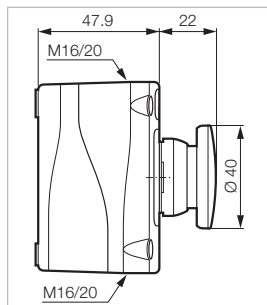
#### Marking

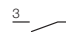
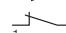

- ⓘ
- ⊙

- LBX10110
- LBX10610

LBX10110

### MUSHROOM HEAD $\varnothing$ 40 - SPRING RETURN



- Green NO 
- Red NC 
- Red NO 

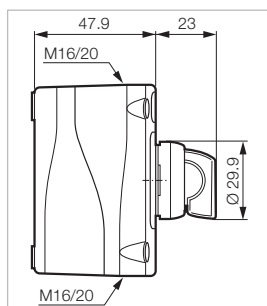
#### Marking

- ⓘ
- ⊙
- ⊙

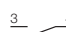
- LBX107210
- LBX10210
- LBX130028

LBX10210

### SELECTOR SWITCH - WITH HANDLE



2 Maintained positions - 90°

- Black NO 

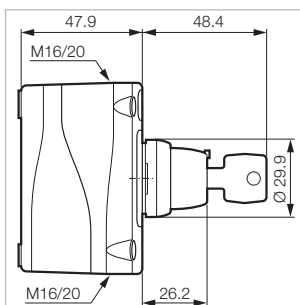
#### Marking

- ⓘ

- LBX12510

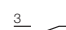
LBX12510

### SELECTOR SWITCH - WITH KEY



Supplied with 2 keys profile n° 455

2 Maintained positions - 90°  
Key free in position 0-1

- Black NO 

#### Marking

- ⓘ

- LBX12610

LBX12610

# Control Stations $\varnothing$ 22

## ▶ CONTROL STATIONS - NON-ILLUMINATED

 Technical Info (p.103)

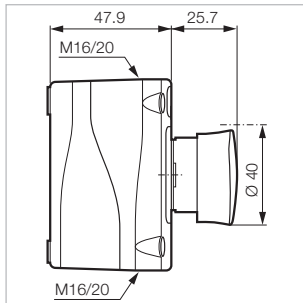
### MUSHROOM HEAD $\varnothing$ 40 - MAINTAINED

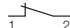
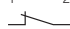

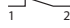
Push-turn to reset

Part Number

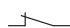

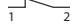


LBX10510



● Red	NC		EMERGENCY STOP	<b>LBX10510</b>
● Red	NC + NO		EMERGENCY STOP	<b>LBX130006</b>
● Red	2 NC		EMERGENCY STOP	<b>LBX130005</b>
● Red	NO		EMERGENCY STOP	<b>LBX130007</b>

#### WITH STOP STOP STOP TEXT ON BUTTON HEAD

● Red	NC		EMERGENCY STOP	<b>LBX10510S</b>
● Red	NC + NO		EMERGENCY STOP	<b>LBX130010</b>
● Red	2 NC		EMERGENCY STOP	<b>LBX130009</b>

For contact blocks attached to operator please contact us.



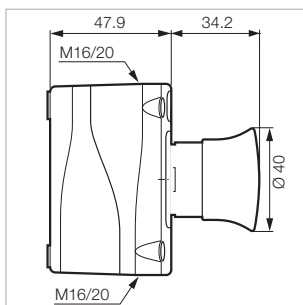
LBX130009

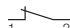


### MUSHROOM HEAD $\varnothing$ 40 - MAINTAINED

Push-pull to reset



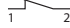


LBX101910



● Red	NC		EMERGENCY STOP	<b>LBX101910</b>
● Red	NC + NO		EMERGENCY STOP	<b>LBX130004</b>
● Red	2 NC		EMERGENCY STOP	<b>LBX130003</b>

#### WITH STOP STOP STOP TEXT ON BUTTON HEAD

● Red	NC		EMERGENCY STOP	<b>LBX101910S</b>
● Red	NC + NO		EMERGENCY STOP	<b>LBX130074</b>
● Red	2 NC		EMERGENCY STOP	<b>LBX130075</b>

For contact blocks attached to operator please contact us.



LBX101910S

# Control Stations $\phi$ 22

## ▶ CONTROL STATIONS - NON-ILLUMINATED

 Technical Info (p. 103)

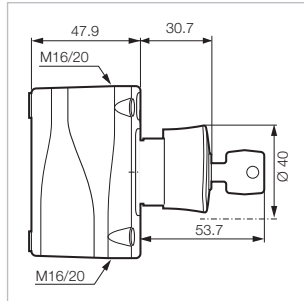
### MUSHROOM HEAD $\phi$ 40 - MAINTAINED

Key to reset

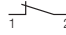
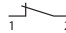

Part Number



LBX11210



Supplied with 2 keys profile n° 455

● Red	NC		EMERGENCY STOP	<b>LBX11210</b>
● Red	NC + NO		EMERGENCY STOP	<b>LBX130071</b>
● Red	2 NC		EMERGENCY STOP	<b>LBX130072</b>

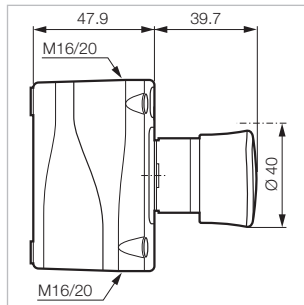
For contact blocks attached to operator please contact us.

### MUSHROOM HEAD $\phi$ 40 EN 418 / ISO 13850

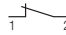
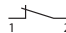
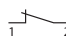
Push-turn to reset



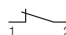
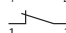
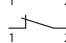
LBX17301



Compliant with the requirements of emergency stop:  
EN 418 / ISO 13850

● Red	NC		EMERGENCY STOP	<b>LBX17301</b>
● Red	NC + NO		EMERGENCY STOP	<b>LBX17311</b>
● Red	2 NC		EMERGENCY STOP	<b>LBX17302</b>

#### WITH EN13850 SYMBOL ON BUTTON HEAD

● Red	NC		EMERGENCY STOP	<b>LBX130065</b>
● Red	NC + NO		EMERGENCY STOP	<b>LBX130057</b>
● Red	2 NC		EMERGENCY STOP	<b>LBX13066</b>

#### WITH EMO TEXT ON BUTTON HEAD (WITHOUT EMERGENCY STOP ON ENCLOSURE)

● Red	NC		<b>LBX130067</b>
● Red	NC + NO		<b>LBX130068</b>
● Red	2 NC		<b>LBX130069</b>

For contact blocks attached to operator please contact us.



LBX130057



LBX130069

# Control Stations Ø 22

## ▶ CONTROL STATIONS - NON-ILLUMINATED

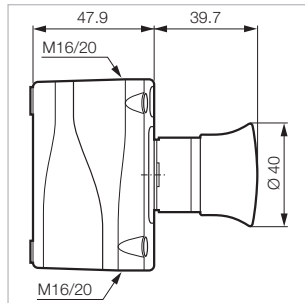
 Technical Info (p. 103)

### MUSHROOM HEAD Ø 40 EN 418 / ISO 13850

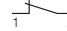

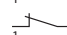
Push-pull to reset



LBX15101



Compliant with the requirements of emergency stop:  
EN 418 / ISO 13850

● Red	NC		EMERGENCY STOP	<b>LBX15301</b>
● Red	NC + NO		EMERGENCY STOP	<b>LBX15311</b>
● Red	2 NC		EMERGENCY STOP	<b>LBX15302</b>

For contact blocks attached to operator please contact us.

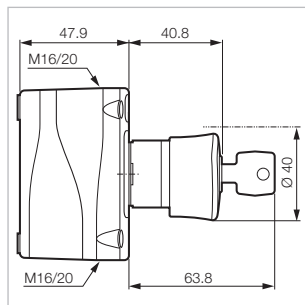
### MUSHROOM HEAD Ø 40 EN 418 / ISO 13850

Key to reset

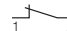

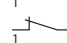
Part Number



LBX11302



Compliant with the requirements of emergency stop:  
EN 418 / ISO 13850  
Supplied with 2 keys profile n° 455

● Red	NC		EMERGENCY STOP	<b>LBX11301</b>
● Red	NC + NO		EMERGENCY STOP	<b>LBX11311</b>
● Red	2 NC		EMERGENCY STOP	<b>LBX11302</b>

For contact blocks attached to operator please contact us.

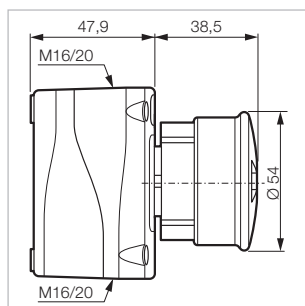
### MUSHROOM HEAD Ø 54 EN 418 / ISO 13850

Push-pull to reset with flag indicator



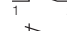

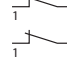

Part Number



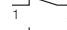

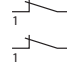



LBX14201



Compliant with the requirements of emergency stop:  
EN 418 / ISO 13850  
Double position indicator: head and collar

● Red	NC			<b>LBX14101</b>
● Red	NC + NO			<b>LBX14111</b>
● Red	2 NC			<b>LBX14102</b>

● Red	NC		STOP - 	<b>LBX14201</b>
● Red	NC + NO		STOP - 	<b>LBX14211</b>
● Red	2 NC		STOP - 	<b>LBX14202</b>

For contact blocks attached to operator please contact us.

# Control Stations $\varnothing$ 22

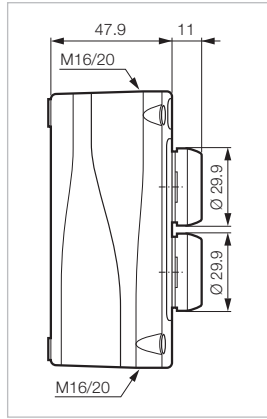
## ▶ CONTROL STATIONS - NON-ILLUMINATED

 Technical Info (p. 103)

### SPRING RETURN - FLUSH



LBX20120



- Green
- Red

- NO
- NC



#### Marking

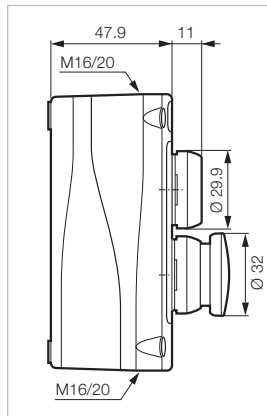


LBX20120

### SPRING RETURN - FLUSH/MUSHROOM



LBX210660



- Green
- Red

- NO
- NC



#### Marking

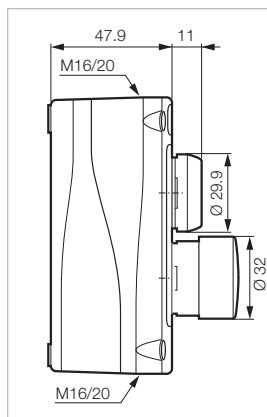


LBX210660

### SPRING RETURN/MAINTAINED - FLUSH/MUSHROOM (PUSH-TURN)



LBX210770



- Green
- Red

- NO
- NC



#### Marking



LBX210770

# Control Stations $\varnothing$ 22

## ▶ CONTROL STATIONS - NON-ILLUMINATED

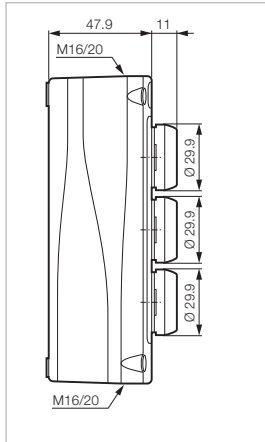
 Technical Info (p. 103)

### SPRING RETURN - FLUSH

Part Number



LBX323870



● Red  
● Green  
● Red

24VAC/DC Pilot Light

NO  $\begin{matrix} 3 & 4 \\ | & / \end{matrix}$   
 NC  $\begin{matrix} 1 & 2 \\ | & \backslash \end{matrix}$

Marking



LBX30008

● Red  
● Green  
● Red

130VAC/DC Pilot Light

NO  $\begin{matrix} 3 & 4 \\ | & / \end{matrix}$   
 NC  $\begin{matrix} 1 & 2 \\ | & \backslash \end{matrix}$

Marking

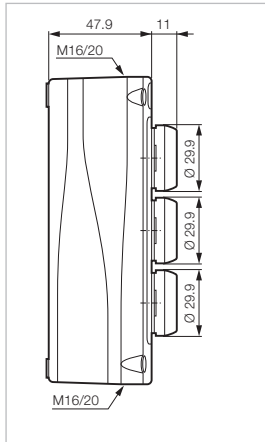


LBX323870

### SPRING RETURN - FLUSH



LBX30430



● Green  
● Red  
● Green

NO  $\begin{matrix} 3 & 4 \\ | & / \end{matrix}$   
 NC  $\begin{matrix} 1 & 2 \\ | & \backslash \end{matrix}$   
 NO  $\begin{matrix} 3 & 4 \\ | & / \end{matrix}$

Marking

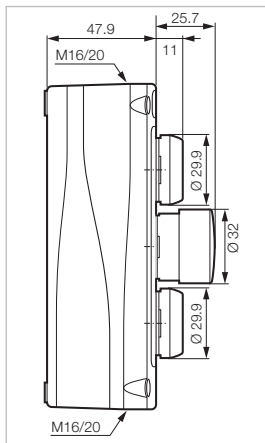


LBX30430

### SPRING RETURN /MAINTAINED - FLUSH/MUSHROOM (PUSH-TURN)



LBX308830



● Green  
● Red  
● Green

NO  $\begin{matrix} 3 & 4 \\ | & / \end{matrix}$   
 NC  $\begin{matrix} 1 & 2 \\ | & \backslash \end{matrix}$   
 NO  $\begin{matrix} 3 & 4 \\ | & / \end{matrix}$

Marking



LBX308830



# Control Stations $\varnothing$ 22

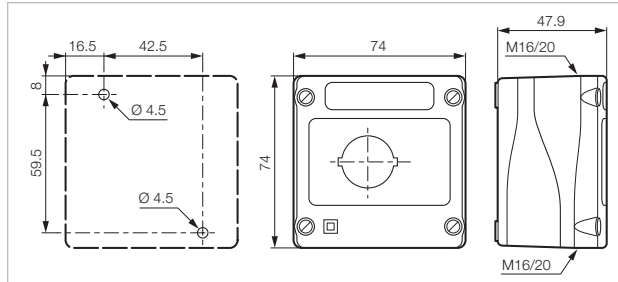
## ▶ EMPTY ENCLOSURES

 Technical Info (p. 103)

1 HOLE Part Number



LBX0100J



**Black base**

- Grey cover
- Yellow cover
- Yellow cover\*
- Black cover

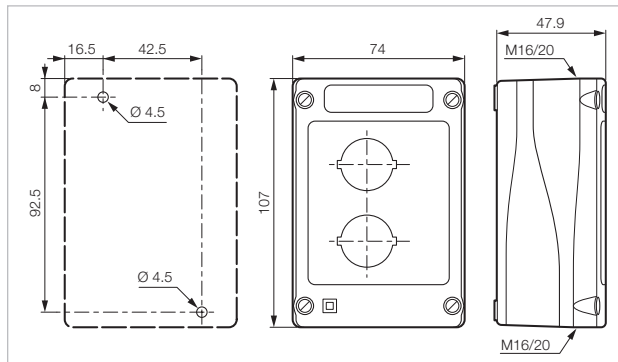
**LBX0100**  
**LBX0100J**  
**LBX0100JB**  
**LBX0100NR**

\* WITH 'EMERGENCY STOP' TEXT

## 2 HOLES



LBX0200



**Black base**

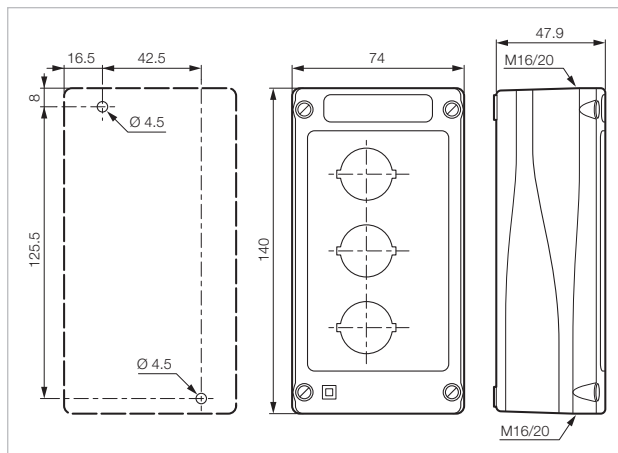
- Grey cover
- Yellow cover

**LBX0200**  
**LBX0200J**

## 3 HOLES



LBX0300



**Black base**

- Grey cover

**LBX0300**



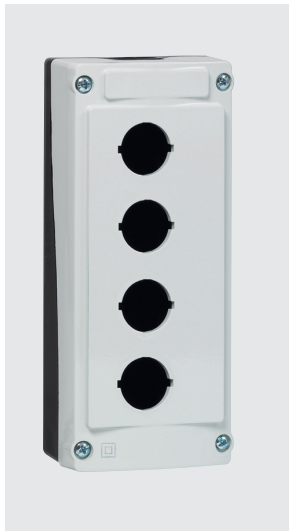
# Control Stations $\varnothing$ 22

## ▶ EMPTY ENCLOSURES

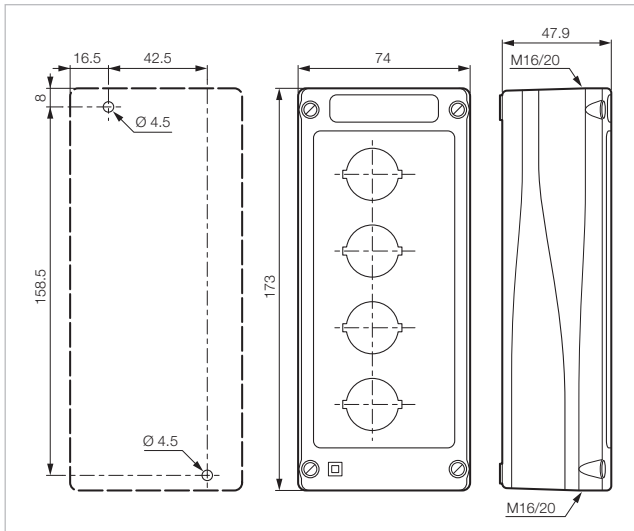
 Technical Info (p. 103)

### 4 HOLES

Part Number



LBX0400



Black base

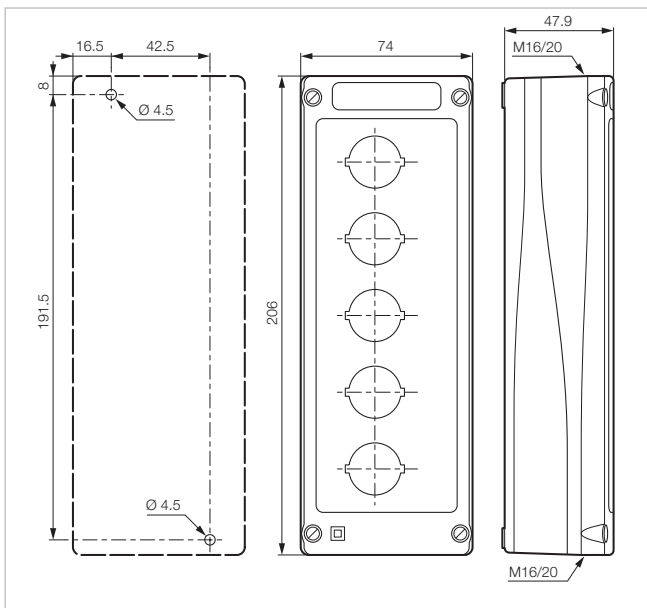
● Grey cover

LBX0400

### 5 HOLES



LBX0500



Black base

● Grey cover

LBX0500

### CABLE GLAND FOR LBX ENCLOSURES

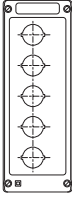


M20-BK

	Size	Cable Thickness	
● Black	M20	6mm - 12mm	<b>M20-BK</b>

► SPECIAL REQUEST FORM

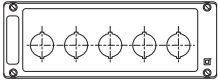
### MOUNTING NUMBER OF HOLES



Vertical

circle number of holes

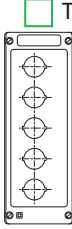
1   2   3   4   5



Horizontal

### CABLE GLAND

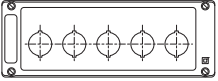
Top



Vertical

Bottom

Horizontal



Left   Right

### COMMENTS

---

---

---

---

---

---

---

---

### DUTY LABEL MARKING

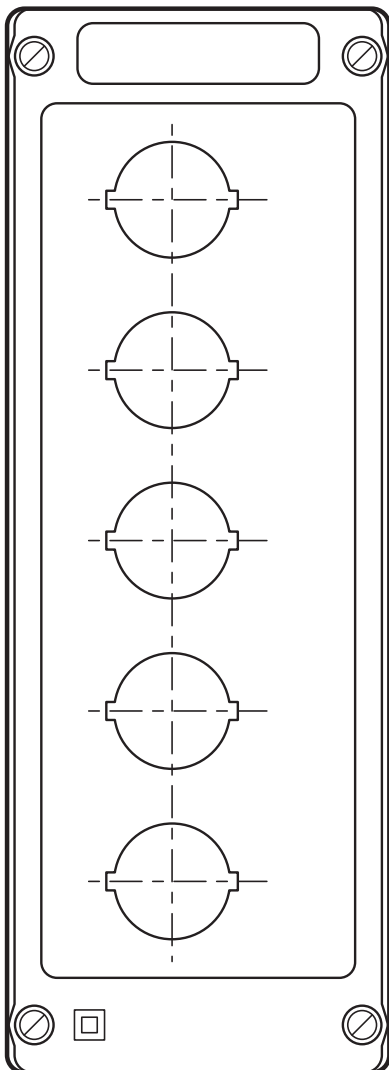
(contact us for details)

### BLOCKS

### SWITCHES

### LEGEND PLATES

### ENCLOSURE MARKING



Enter contact block part number in each mounting position. LED modules must be in position 3.

Enter switch part number for each position. For text or symbol on the switch head enter text or symbol code.

Enter legend plate part number for each position. See page 101 for available legend plates. For text or symbol on the legend plate enter text or symbol code.

For silk-screened text or symbol directly on the enclosure enter text or symbol code.

2
3
1

Switch Part Number:
Text or Symbol code:

Legend Plate Part number:
Text or Symbol code:

Text or Symbol code:
----------------------

2
3
1

Switch Part Number:
Text or Symbol code:

Legend Plate Part number:
Text or Symbol code:

Text or Symbol code:
----------------------

2
3
1

Switch Part Number:
Text or Symbol code:

Legend Plate Part number:
Text or Symbol code:

Text or Symbol code:
----------------------

2
3
1

Switch Part Number:
Text or Symbol code:

Legend Plate Part number:
Text or Symbol code:

Text or Symbol code:
----------------------

2
3
1

Switch Part Number:
Text or Symbol code:

Legend Plate Part number:
Text or Symbol code:

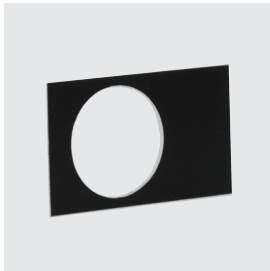
Text or Symbol code:
----------------------

See pages 80 to 83 for available text and symbol options. For custom text or symbols please contact us.

## ▶ LEGEND PLATES FOR LBX ENCLOSURES

### INDIVIDUAL LEGEND PLATES

Part Number



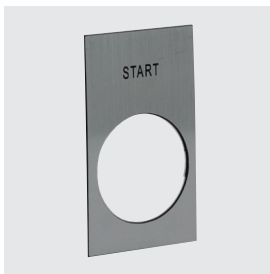
LWB13

Plastic - Rectangular shape

#### WITHOUT ENGRAVING

- Red
- Black
- Yellow
- White
- Blue
- Alu

- LWB11
- LWB13
- LWB14
- LWB15
- LWB16
- LWB19



LWB19H301

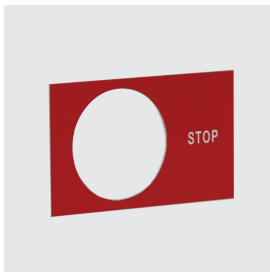
#### WITH TEXT (see p. 80 to 83) FOR HORIZONTAL MOUNTING

Code to be added at the end of the part number.

For custom text or symbol please contact us.

- Red - white engraving
- Black - white engraving
- Yellow - black engraving
- White - black engraving
- Blue - white engraving
- Alu - black engraving

- LWBH11( ) ( ) ( )
- LWBH13( ) ( ) ( )
- LWBH14( ) ( ) ( )
- LWBH15( ) ( ) ( )
- LWBH16( ) ( ) ( )
- LWBH19( ) ( ) ( )



LWB11V302

#### WITH TEXT (see p. 80 to 83) FOR VERTICAL MOUNTING

Code to be added at the end of the part number.

For custom text or symbol please contact us.

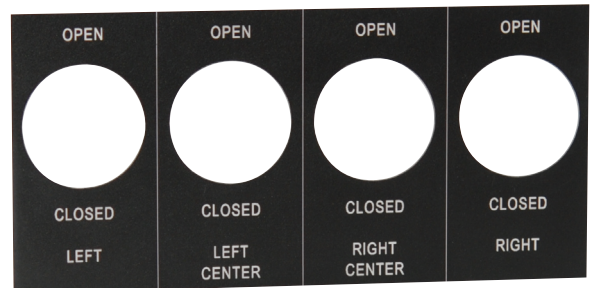
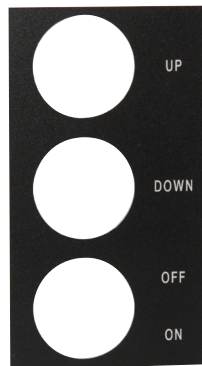
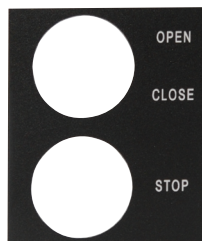
- Red - white engraving
- Black - white engraving
- Yellow - black engraving
- White - black engraving
- Blue - white engraving
- Alu - black engraving

- LWBV11( ) ( ) ( )
- LWBV13( ) ( ) ( )
- LWBV14( ) ( ) ( )
- LWBV15( ) ( ) ( )
- LWBV16( ) ( ) ( )
- LWBV19( ) ( ) ( )

### MULTI HOLE LEGEND PLATES

SINGLE PIECE MULTI-HOLE  
LEGEND PLATES ARE AVAILABLE

CONTACT US FOR DETAILS.

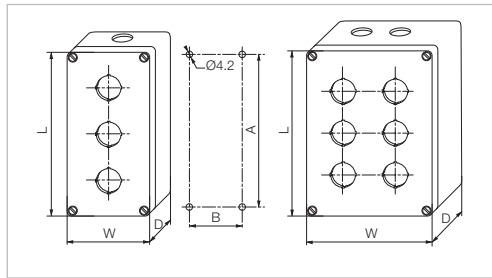


# Control Stations ø 22

## ▶ PRE-DRILLED POLYCARBONATE ENCLOSURES



BPA202



Number of Holes	Cable Gland Hole Entries	Dimensions (mm)					Part Number
		L	W	D	A	B	
1	1 x PG13-GY	82	80	55	70	50	<b>BPA201</b>
2	1 x PG13-GY	120	80	55	108	50	<b>BPA202</b>
3	1 x PG13-GY	160	80	55	148	50	<b>BPA203</b>
1	1 x PG13-GY	82	80	85	70	50	<b>BPP201</b>
2	1 x PG13-GY	120	80	85	108	50	<b>BPP202</b>
3	1 x PG13-GY	160	80	85	148	50	<b>BPP203</b>
4	2 x PG16-GY	122	120	85	110	90	<b>BPP204</b>
6	2 x PG16-GY	200	120	75	188	90	<b>BPA206</b>
8	2 x PG16-GY	200	120	75	188	90	<b>BPA208</b>
10	2 x PG16-GY	240	120	100	288	90	<b>BPP210</b>

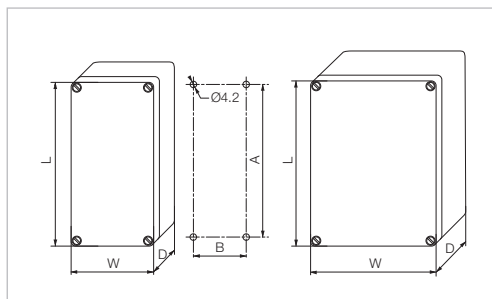
## ▶ EMPTY POLYCARBONATE ENCLOSURES



BNT208



BNT251



L	W	D	Dimensions (mm)		Part Number
			A	B	
65	50	35	53	38	<b>BNT206</b>
82	80	55	70	50	<b>BNT210</b>
82	80	85	70	50	<b>BNT225</b>
120	80	55	108	50	<b>BNT215</b>
120	80	85	108	50	<b>BNT226</b>
122	120	55	110	90	<b>BNT217</b>
122	120	85	110	90	<b>BNT227</b>
160	80	55	148	50	<b>BNT220</b>
160	80	85	148	50	<b>BNT231</b>
200	120	75	188	90	<b>BNT237</b>
200	150	75	188	119	<b>BNT223</b>
240	120	100	228	90	<b>BNT242</b>
240	160	120	228	130	<b>BNT243</b>
250	160	90	238	130	<b>BNT240</b>

## CABLE GLANDS



PG16-GY

Size	Cable Thickness	Part Number
● Grey PG11	3mm - 7mm	<b>PG11-GY</b>
● Grey PG13.5	6mm - 12mm	<b>PG13-GY</b>
● Grey PG16	10mm - 14mm	<b>PG16-GY</b>
● Grey PG21	13mm - 18mm	<b>PG21-GY</b>
● Grey PG29	18mm - 25mm	<b>PG29-GY</b>