

DIMENSIONS in mm.
Unless otherwise specified
all outer tolerances are $\pm 0,1$ mm

SCALE:	DATE	SIGN.
5:1		
APPROVED	220196	H.L.

COPYRIGHT MEC A/S

This technical document is the property of MEC A/S, Denmark, and shall not be used for any other purpose than facilitating the installation and use of our products. It may not be copied, reproduced, transmitted or communicated to a third party without the prior consent of MEC A/S

U.S. Patent No. 5,199,557.

DRAWING NO.
21810

MULTEC® CAP 1P

TECHNICAL SPECIFICATIONS - 1P CAP

Material Specifications

Material	Colours																									
ABS	<table border="1"> <thead> <tr> <th data-bbox="392 264 560 315">Code</th> <th data-bbox="560 264 880 315">Description</th> </tr> </thead> <tbody> <tr> <td data-bbox="392 315 560 358">00</td> <td data-bbox="560 315 880 358">blue</td> </tr> <tr> <td data-bbox="392 358 560 401">02</td> <td data-bbox="560 358 880 401">green</td> </tr> <tr> <td data-bbox="392 401 560 444">03</td> <td data-bbox="560 401 880 444">grey</td> </tr> <tr> <td data-bbox="392 444 560 486">04</td> <td data-bbox="560 444 880 486">yellow</td> </tr> <tr> <td data-bbox="392 486 560 529">06</td> <td data-bbox="560 486 880 529">white</td> </tr> <tr> <td data-bbox="392 529 560 572">08</td> <td data-bbox="560 529 880 572">red</td> </tr> <tr> <td data-bbox="392 572 560 614">09</td> <td data-bbox="560 572 880 614">black</td> </tr> </tbody> </table>	Code	Description	00	blue	02	green	03	grey	04	yellow	06	white	08	red	09	black	<table border="1"> <thead> <tr> <th data-bbox="891 264 1253 315">Approx. RAL No.</th> </tr> </thead> <tbody> <tr> <td data-bbox="891 315 1253 358">5012</td> </tr> <tr> <td data-bbox="891 358 1253 401">6018</td> </tr> <tr> <td data-bbox="891 401 1253 444">7004</td> </tr> <tr> <td data-bbox="891 444 1253 486">1023</td> </tr> <tr> <td data-bbox="891 486 1253 529">9010</td> </tr> <tr> <td data-bbox="891 529 1253 572">3000</td> </tr> <tr> <td data-bbox="891 572 1253 614">9004</td> </tr> </tbody> </table>	Approx. RAL No.	5012	6018	7004	1023	9010	3000	9004
Code	Description																									
00	blue																									
02	green																									
03	grey																									
04	yellow																									
06	white																									
08	red																									
09	black																									
Approx. RAL No.																										
5012																										
6018																										
7004																										
1023																										
9010																										
3000																										
9004																										

Flamability	UL94V1
-------------	--------

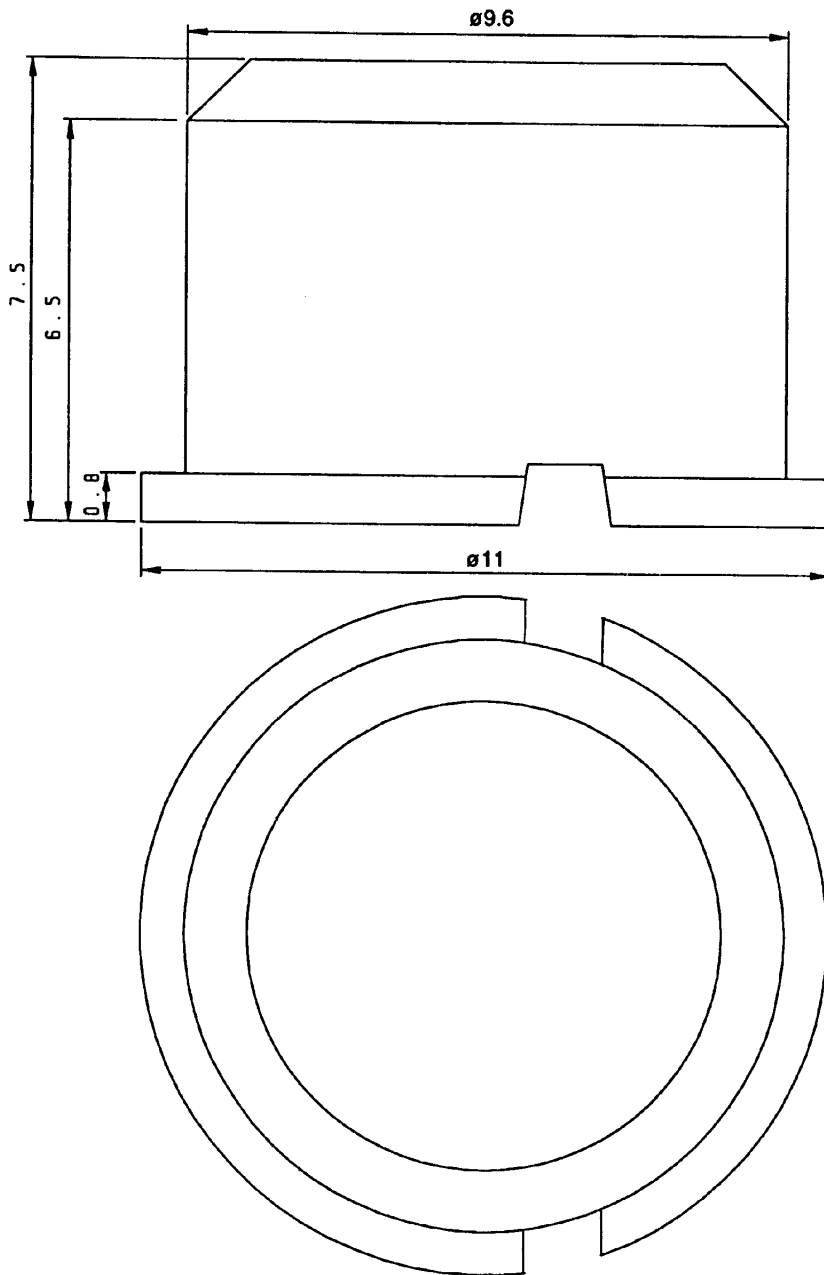
Temperature Range

Working temperature	-40°C - +65°C
Storage temperature	Max. +65°C
Soldering	<p>Precaution! If infrared, vapour phase or wave soldering is used, do not forget to mount the buttons <u>after</u> the soldering. The buttons can stand max. 85°C for max. 5 minutes.</p>

Cleaning	Standard methods such as freon, water and soap.
----------	---

Custom colours	Min. order 10.000 pcs. Please ask for details.
----------------	---

To be combined with	3F switch
---------------------	-----------



DIMENSIONS in mm.
 Unless otherwise specified
 all outer tolerances are $\pm 0,1$ mm

SCALE: 10:1	DATE	SIGN.
APPROVED	230992	CE

MULTIMEC® CAP 1D

COPYRIGHT MEC A/S

This technical document is the property of MEC A/S, Denmark, and shall not be used for any other purpose than facilitating the installation and use of our products. It may not be copied, reproduced, transmitted or communicated to a third party without the prior consent of MEC A/S.

U.S. Patent No. 5,199,557.

DRAWING NO. 21250

TECHNICAL SPECIFICATIONS - 1D CAP

Material Specifications

Material	Colours		
ABS	Code	Description	Approx. RAL No.
	00	blue	5012
	02	green	6018
	03	grey	7004
	04	yellow	1023
	06	white	9010
	08	red	3000
	09	black	9004

Flamability	UL94V1
-------------	--------

Temperature Range

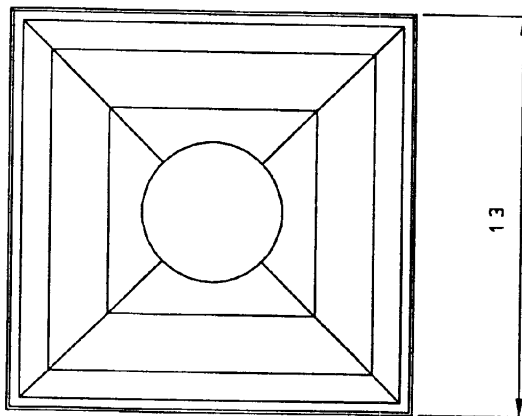
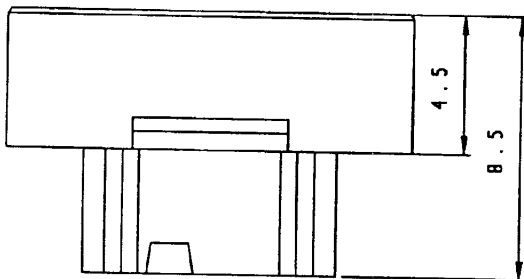
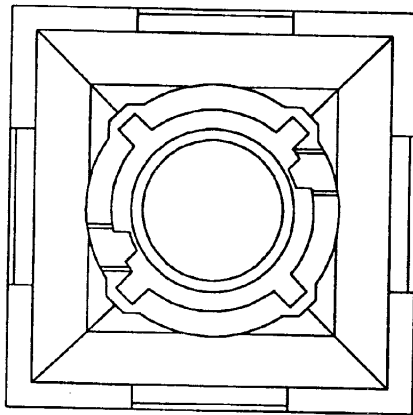
Working temperature	-40°C - +65°C
Storage temperature	Max. +65°C
Soldering	Precaution! If infrared, vapour phase or wave soldering is used, do not forget to mount the buttons after the soldering. The buttons can stand max. 85°C for max. 5 minutes.

Cleaning	Standard methods such as freon, water and soap
----------	--

Custom colours	Min. order 10,000 pcs. Please ask for details.
----------------	---

To be combined with	3F switch
---------------------	-----------

COPYRIGHT MEC A/S



DIMENSIONS in mm.
Unless otherwise specified
all outer tolerances are $\pm 0,1$ mm

SCALE: 5:1	DATE	SIGN.
APPROVED	180293	CE

MULTIMEC® REFLECTOR 1KXXX6

COPYRIGHT MEC A/S

This technical document is the property of MEC A/S, Denmark, and shall not be used for any other purpose than facilitating the installation and use of our products. It may not be copied, reproduced, transmitted or communicated to a third party without the prior consent of MEC A/S.

U.S. Patent No. 5,199,557.

DRAWING NO. 21300

TECHNICAL SPECIFICATIONS - 1K REFLECTOR

Material Specifications

Material	Colours					
ABS	<table border="1"><thead><tr><th>Code</th><th>Description</th></tr></thead><tbody><tr><td>06</td><td>white</td></tr></tbody></table>	Code	Description	06	white	Approx. RAL No. 9010
Code	Description					
06	white					

Flamability	UL94V1
-------------	--------

Temperature Range

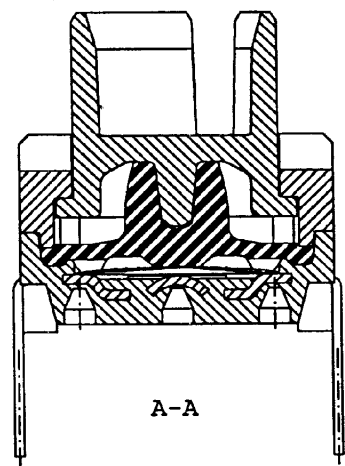
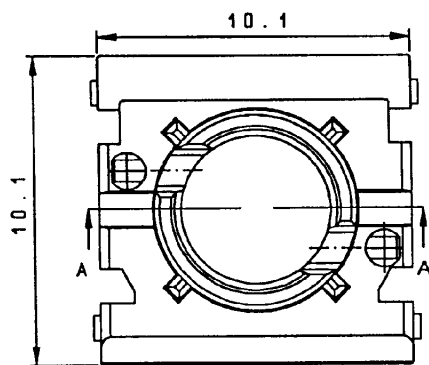
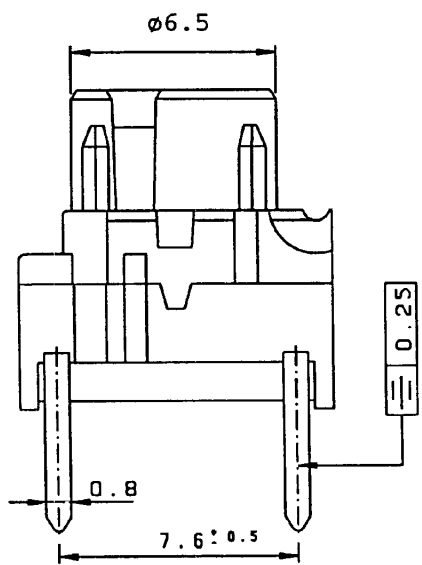
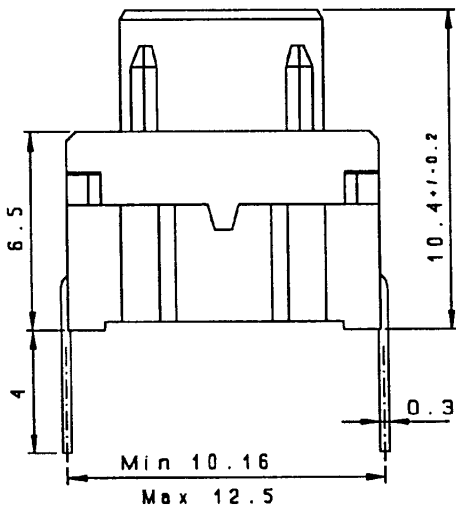
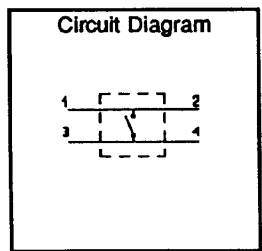
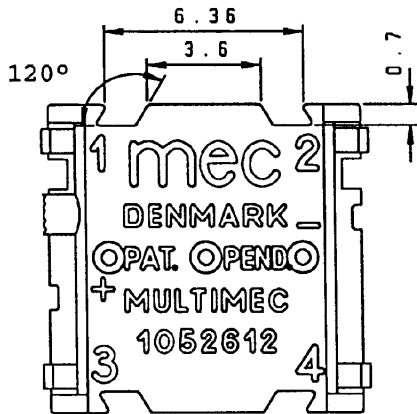
Working temperature	-40°C - +65°C
Storage temperature	Max. +65°C
Soldering	Precaution! If infrared, vapour phase or wave soldering is used, do not forget to mount the buttons after the soldering. The buttons can stand max. 85°C for max. 5 minutes.

Cleaning	Standard methods such as freon, water and soap
----------	--

Custom colours	Min. order 10.000 pcs. Please ask for details.
----------------	---

To be combined with	3FT switch + 1K cap + 1KXX1 lens
---------------------	----------------------------------

COPYRIGHT MEC A/S



DIMENSIONS in mm.
Unless otherwise specified
all outer tolerances are $\pm 0,1$ mm

SCALE: 5:1	DATE	SIGN.
APPROVED	030591	CE

MULTIMEC® SWITCH 3FT

COPYRIGHT MEC A/S
This technical document is the property of MEC A/S, Denmark, and shall not be used for any other purpose than facilitating the installation and use of our products. It may not be copied, reproduced, transmitted or communicated to a third party without the prior consent of MEC A/S.

U.S. Patent No. 5,199,557.

DRAWING NO. 213FT

TECHNICAL SPECIFICATIONS - 3FI

Low Temperature Version		High Temperature Version		
Part Number	3FTL6	3FTL6G	3FTH9	3FTH9G

Electrical Specifications

Contact resistance	< 30 mΩ - typically 10 mΩ			
Insulation resistance (off)	> 10 MΩ			
Recommended load	0,5 - 50mA, 24VDC	0 - 50mA, 24VDC	0,5 - 50mA, 24VDC	0 - 50mA, 24VDC
Contact bounce	< 2 mS - typically < 0,5 mS			

Mechanical Specifications

Key pressure (switch)	2,5 ± 0,2 N
Key travel (switch)	1 mm
Life time (switch)	> 10.000.000 cycles

Material Specifications

Housing	Dark grey Polycarbonate UL94V1	Black PPS UL94V1		
Actuator	White ABS UL94V1	Black PPS UL94V1		
Sealing + spring	Silicone rubber			
Contact spring	BeCu + 3μAG	BeCu + 3μAG + 3μAU	BeCu + 3μAG	BeCu + 3μAG + 3μAU
Terminals	SNCU + 2μNI + 3μAG	SNCU + 2μNI + 3μAU	SNCU + 2μNI + 3μAG	SNCU + 2μNI + 3μAU

Temperature Range

Working temperature	-40°C - +65°C	-40°C - +160°C
Storage temperature	Max. +65°C	Max. +160°C
Soldering IEC 68-2-20	Wave - max. 260°C for max. 10 Sec. Soldering iron - max. 350°C for max. 3 Sec. Flux tight	Infrared, vapour phase, wave - max. 260°C for max. 30 Sec. Soldering iron - max. 350°C for max. 3 Sec. Flux tight

Environmental Endurance IEC 68-2-3

Temperature	40°C
Humidity	93% RH
Duration	56 Days

Temperature Cycling IEC 68-2-14

Temperature limit	Min. -55°C - max. +85°C
Number of cycles	200
Exposure time at each temperature	10 min.
Recovery time before measurements	16 hrs.

Sealing IEC 529	IP-67M
--------------------	--------

Cleaning	Standard methods such as freon, water and soap
----------	--