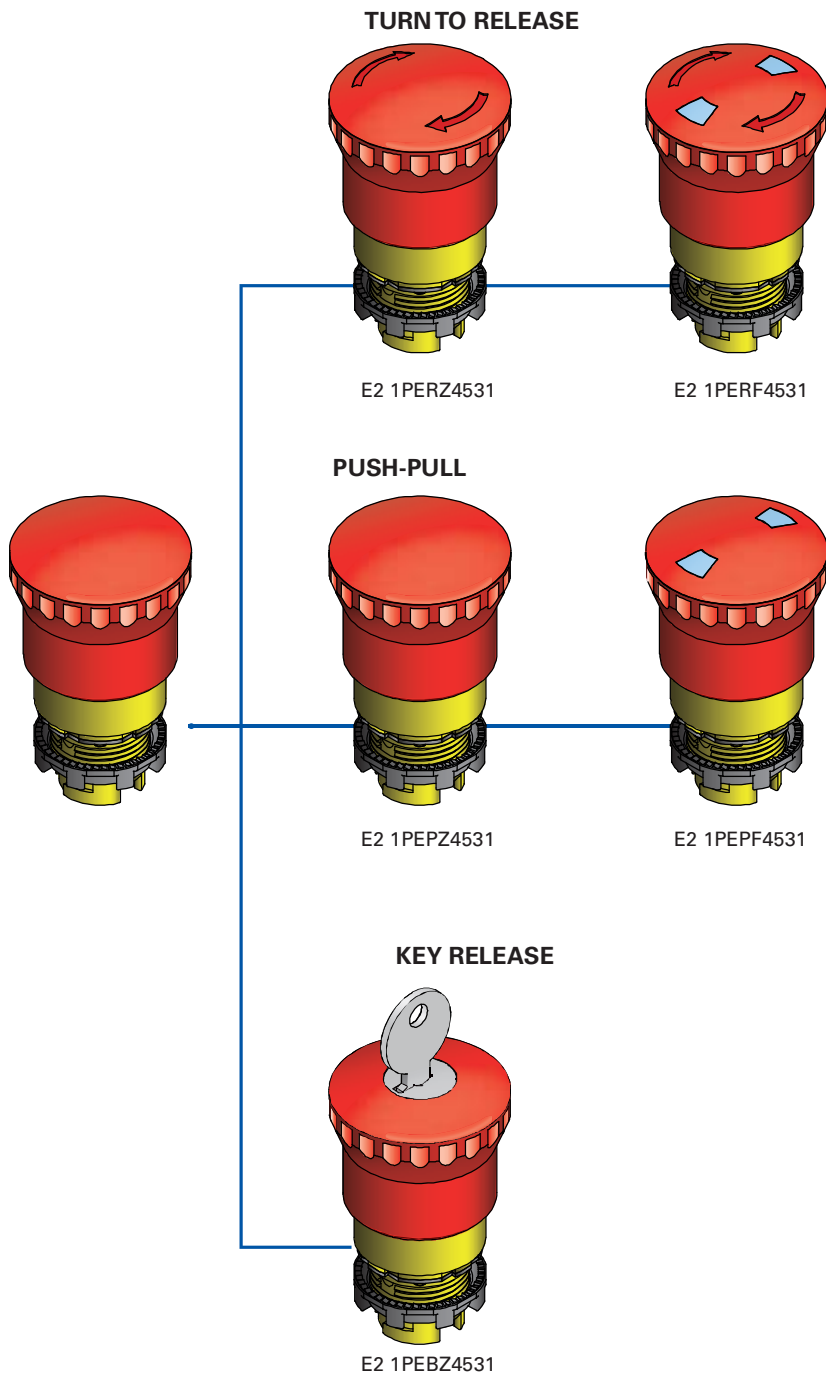
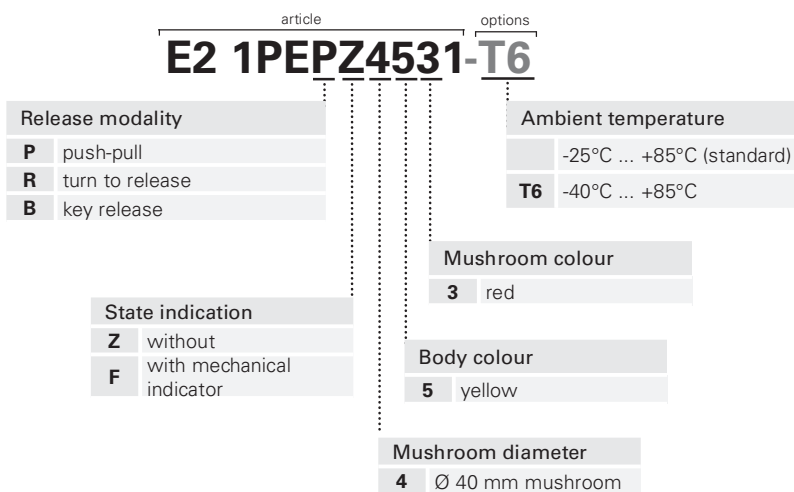


Selection diagram



Emergency pushbuttons code structure



**Attention!** The feasibility of a code number does not mean the effective availability of a product. Please contact our sales office.



#### Main features

- 3 different release modality
- Protection degree IP67 and IP69K
- Version with mechanical indicator

#### Technical data

##### General

Protection degree:	IP67 according to IEC 60529 IP69K according to DIN 40050
Ambient temperature:	-25°C +80°C
Mechanical endurance:	300.000 million operations cycles
Max operating frequency:	3600 operations cycles/hour
Actuating travel:	4 mm (NO contact), 4 mm (NC contact)
Actuating force:	25 N (1 NO contact) 25 N (1 NC contact)
Additional contact actuating force:	+0 N (NO contact) +0 N (NC contact)
Maximum travel:	9 mm
Ring driving torque:	2 ... 2,5 Nm
Utilization requirements:	see page 61

#### In conformity with standards:

IEC 60947-1, IEC 60947-5-1, IEC 60947-5-5, IEC 60204-1, EN 60947-1, EN 60947-5-1, EN 60947-5-5, EN 60204-1, EN ISO 13850, UL 508, CSA 22-2 N°14

#### ⚠ Installation for safety applications:

Use only switches marked with the symbol ⊕. The safety circuit must always be connected with the **NC contacts** (normally closed contacts: 1-2) as stated in the standard EN 60947-5-1, encl. K, par. 2.

#### Markings and quality marks:



#### In conformity with requirements requested by:

Low Voltage Directive 2006/95/EC, Machinery Directive 2006/42/EC and Electromagnetic Compatibility 2004/108/EC.

#### Positive contact opening in conformity with standards:

IEC 60947-5-1, EN 60947-5-1, VDE 0660-206.

### General characteristics

#### State indication

The push-pull and turn to release emergency pushbutton can be provided with a visual state indication through a mechanical indicator. The state is indicated by green colour when the pushbutton is not actuated and red colour when it is actuated.

#### Available versions

Pizzato Elettrica new emergency pushbuttons, which function is to allow the operator to stop a device or a machine in case of danger by pushing the same button, are classified by their release modality: push-pull, turn to release and key release.

#### Mechanical endurance

All emergency pushbuttons have been tested to endure 300.000 mechanical cycles.

#### Protection degree IP67 and IP69K

Designed to be employed also in severe environment conditions, Pizzato Elettrica pushbuttons have protection degree IP67 and IP69K, suitable for use in machineries subjected to intense washing with high pressure and high temperature water jets.

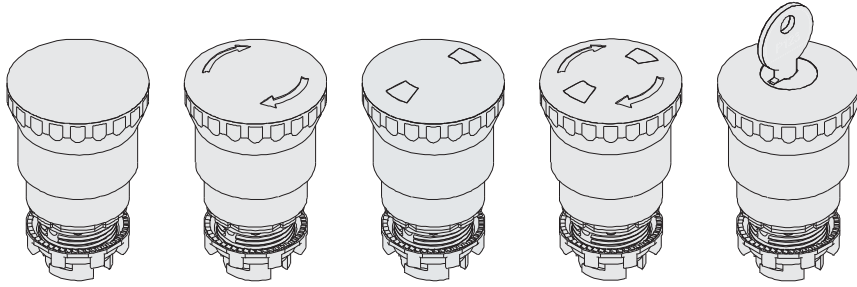
#### Temperature range extended


# -40°C

Special versions can be ordered for use in environments where the temperature changes from +80°C to -40°C.

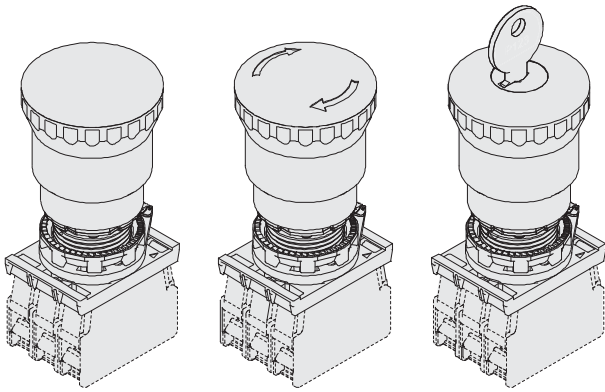
They can be installed inside cold stores, sterilizers or other equipments with very low ambient temperature. Special materials that have been used to realize these versions, maintain unchanged their features also in these conditions, widening the installation possibilities.






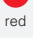
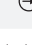

Emergency pushbuttons selection table



Actuator colour and marking	Push-pull	Turn to release	Push-pull with mechanical indicator	Turn to release with mechanical indicator	Release with key Key number PY333
 red	E2 1PEPZ4531	E2 1PERZ4531	E2 1PEPF4531	E2 1PERF4531	E2 1PEBZ4531

Complete units with emergency pushbuttons



Actuator colour and marking	Contacts			Push-pull	Turn to release	Release with key Key number PY333
	pos 2	pos 3	pos 1			
 red	-	1NC 	-	<b>E2 AC-DXBC1005</b> E2 1PEPZ4531 + E2 1BAC11 + E2 CP01G2V1	<b>E2 AC-DXBC1006</b> E2 1PERZ4531 + E2 1BAC11 + E2 CP01G2V1	<b>E2 AC-DXBC1007</b> E2 1PEBZ4531 + E2 1BAC11 + E2 CP01G2V1
 red	1NC 	-	1NC 	<b>E2 AC-DXBC1010</b> E2 1PEPZ4531 + E2 1BAC11 + E2 CP01G2V1 + E2 CP01G2V1	<b>E2 AC-DXBC1002</b> E2 1PERZ4531 + E2 1BAC11 + E2 CP01G2V1 + E2 CP01G2V1	<b>E2 AC-DXBC1011</b> E2 1PEBZ4531 + E2 1BAC11 + E2 CP01G2V1 + E2 CP01G2V1
 red	1NC 	1NC 	1NO	<b>E2 AC-DXBC1012</b> E2 1PEPZ4531 + E2 1BAC11 + E2 CP01G2V1 + E2 CP01G2V1 + E2 CP10G2V1	<b>E2 AC-DXBC1000</b> E2 1PERZ4531 + E2 1BAC11 + E2 CP01G2V1 + E2 CP01G2V1 + E2 CP10G2V1	<b>E2 AC-DXBC1013</b> E2 1PEBZ4531 + E2 1BAC11 + E2 CP01G2V1 + E2 CP01G2V1 + E2 CP10G2V1

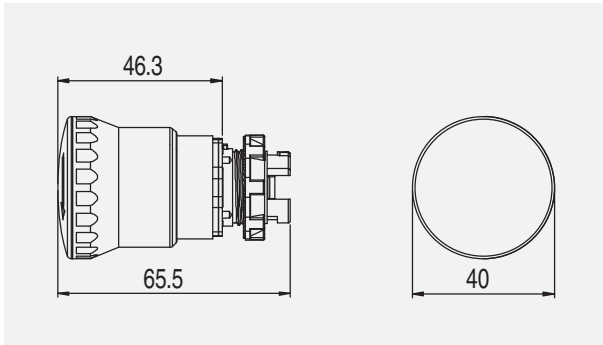
→ For the contact block characteristics see page 41.

Items with code on the **green** background are available in stock

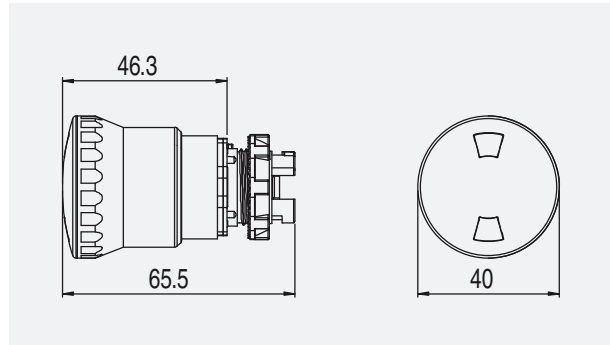
### 3 Emergency pushbuttons

#### Dimensions

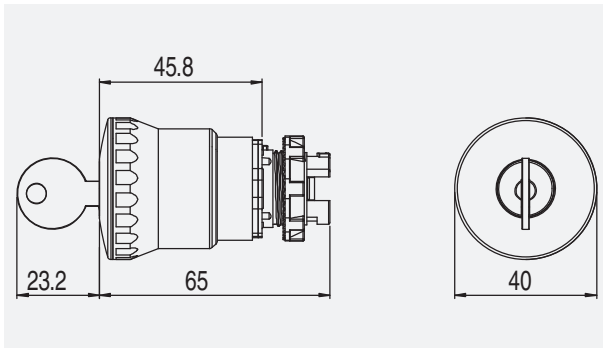
##### Push pull or turn to release emergency pushbutton



##### Push pull or turn to release emergency pushbutton with mechanical indicator



##### Emergency pushbutton with key



## Label with shaped hole



Suited for the following devices E2 1PE.  
Adjustable in 90° steps.  
Other languages on request.

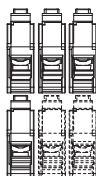
**Note: It does not alter the device protection degrees IP67 and IP69K.**

Article	Description
VE TF32A5700	Label with shaped hole, Ø 60 mm yellow disc, no writing
VE TF32D5700	Label with shaped hole, Ø 90 mm yellow disc, no writing
VE TF32A5101	Label with shaped hole, yellow disc Ø 60 mm, writing "STOP EMERGENZA"
VE TF32D5101	Label with shaped hole, yellow disc Ø 90 mm, writing "STOP EMERGENZA"
VE TF32A5102	Label with shaped hole, yellow disc Ø 60 mm, writing "EMERGENCY STOP"
VE TF32D5102	Label with shaped hole, yellow disc Ø 90 mm, writing "EMERGENCY STOP"

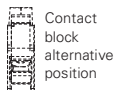
## Contacts maximum number



Emergency pushbuttons E2 1PE series



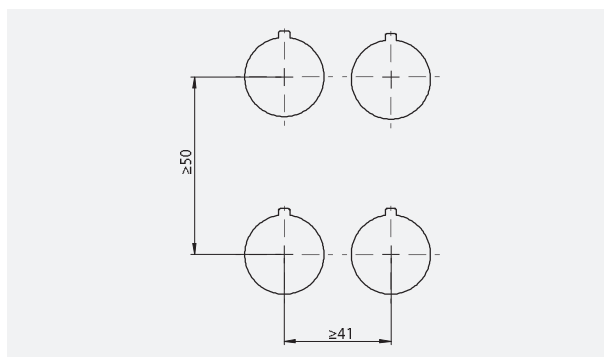
contact block



Contact block alternative position

**ATTENTION:** Do not exceed the maximum limit of 4 contact blocks.

## Assembling minimum distances



## Accessories

→ [More ACCESSORIES at page 57](#)

