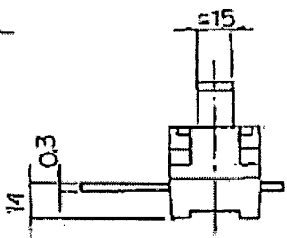
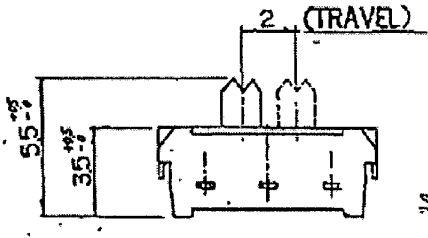
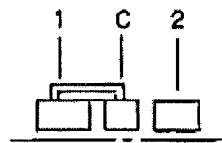
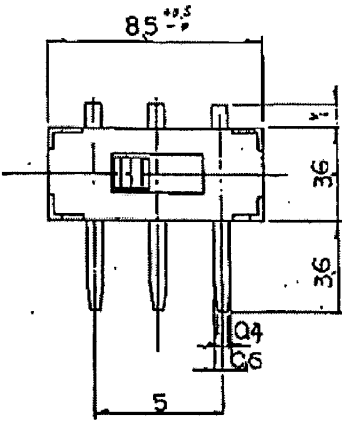


BEST No. 708020  
SLIDE SWITCH

規格	1	2	3	4	5	6	7	8
1-12V	22.00	22.00	22.00	22.00	22.00	22.00	22.00	22.00
2-12V	22.00	22.00	22.00	22.00	22.00	22.00	22.00	22.00
3-12V	22.00	22.00	22.00	22.00	22.00	22.00	22.00	22.00
4-12V	22.00	22.00	22.00	22.00	22.00	22.00	22.00	22.00
5-12V	22.00	22.00	22.00	22.00	22.00	22.00	22.00	22.00
6-12V	22.00	22.00	22.00	22.00	22.00	22.00	22.00	22.00
7-12V	22.00	22.00	22.00	22.00	22.00	22.00	22.00	22.00
8-12V	22.00	22.00	22.00	22.00	22.00	22.00	22.00	22.00
9-12V	22.00	22.00	22.00	22.00	22.00	22.00	22.00	22.00
10-12V	22.00	22.00	22.00	22.00	22.00	22.00	22.00	22.00
11-12V	22.00	22.00	22.00	22.00	22.00	22.00	22.00	22.00
12-12V	22.00	22.00	22.00	22.00	22.00	22.00	22.00	22.00
13-12V	22.00	22.00	22.00	22.00	22.00	22.00	22.00	22.00
14-12V	22.00	22.00	22.00	22.00	22.00	22.00	22.00	22.00
15-12V	22.00	22.00	22.00	22.00	22.00	22.00	22.00	22.00
16-12V	22.00	22.00	22.00	22.00	22.00	22.00	22.00	22.00
17-12V	22.00	22.00	22.00	22.00	22.00	22.00	22.00	22.00
18-12V	22.00	22.00	22.00	22.00	22.00	22.00	22.00	22.00
19-12V	22.00	22.00	22.00	22.00	22.00	22.00	22.00	22.00
20-12V	22.00	22.00	22.00	22.00	22.00	22.00	22.00	22.00
21-12V	22.00	22.00	22.00	22.00	22.00	22.00	22.00	22.00
22-12V	22.00	22.00	22.00	22.00	22.00	22.00	22.00	22.00



註: 1.pole 2positions  
2.CHANGE OVER TIMING  
NON SHORTING

製品名	SFB-12-02V (=QD1203)	投影法	単位	比例	備註 容許公差: D
		三角法	mm	5/1	
		承認	検査	製図	
図名	組立図				
図號	S060285	林 74.9.3 西澤	林 74.9.3 西澤	片 74.9.3 西澤	

11 No. 708020

SLIDE SWITCH

規格說明書



SPECIFICATIONS

DATE: AUG. 19. 1991

製品名 TYPE OF SWITCH	SLIDE SWITCH SPB-12-02V (-0026)	圖面號碼 DRAWING NO.	5060285	管理參號 FILE NO.	N0.602
1. 定 格 RATING :	DC. 15 V. 0.1 A.				
2. 構 造 CONSTRUCTION	<p>2.1 型態及長寬度均照另附圖面之規定 SHAPE AND DIMENSIONS SUBJECT TO ATTACHED CHART REGULATION</p> <p>2.2 外觀 各部份之完成程度良好，並無銹，裂損，電鍍不良等。 APPEARANCE: EVERY PART SHOULD BE FINISHED NOT TO EXIST RUST, FLAW, CRACK AND BAD PLATING.</p>				
3. 機械的性態 MECHANICAL STRUCTURE	<p>3.1 旋轉力 _____ kg cm 作動力 400 ± 200 (依平衡力) ROTATION TORQUE: _____ kg cm OPERATION: 400 ± 200 g</p> <p>3.2 阻止力 3 kg 秒 15 毫米/秒 STOPPER STRENGTH: 3 kg FOR 15 MINUTE/second</p> <p>3.3 端子強度 於端子尖端各方向施，加 400g 之力，1分鐘，而端子並無搖動、脫落，端子板破損等情事 (一次端子一次) STAKING OF TERMINALS: WHEN 400 g/gs IS/ARE WEIGHTED ON TOP OF TERMINAL IN EVERY DIRECTION FOR ONE (1) MINUTE, LOOSE STAKING OF TERMINAL AND DAMAGE ON STATOR BOARD SHOULD NOT EXIST. (ONE TIME FOR TERMINAL)</p>				
4. 電氣的性態 ELECTRICAL STRUCTURE	<p>4.1 接觸抵抗 DC. 5V. 1A. 電壓降下法測定 或以 1K. HZ. ±200HZ 2mV. 測定 50 mΩ 以下 CONTACT RESISTANCE: LESS THAN 50 mΩ ON DC. 5V. 1A. MEASURED BY VOLTAGE DECREASING METHOD OR MEASURED BY 1KHZ. ±200HZ LESS THAN 2mV.</p> <p>4.2 絕緣抵抗 DC. 500 V. 50 MΩ 以上 INSULATION RESISTANCE: MORE THAN 50 MΩ ON DC. 500 V. MEASURED BY INSULATION TESTER.</p> <p>4.3 耐電壓 AC. 250 V. (50-60 HZ.) 1分鐘並無異常發生 WITHSTAND VOLTAGE: AC. 250 V. (50-60 HZ.) FOR 1 MIN.</p>				
5. 耐 溫 性 HUMIDITY TEST	<p>放置溫度 40 ± 2°C，相對濕度 90-95% 內 4日 小時後取去水滴，而於 30 分鐘內，測定時絕緣抵抗為 5 MΩ 以上 INSULATION RESISTANCE IS 5 MΩ OVER MEASURED AFTER 30 MINUTE(S) AFTER REMAINING SWITCH FOR 5 HOUR(S) AT THE CONDITION OF TEMPERATURE 40 ± 2°C AND HUMIDITY 90-95%.</p>				
6. 使用溫度範圍 TEMPERATURE RANGE:	- 10 °C - + 60 °C				
7. 壽命試驗 LIFE TEST	<p>7.1 試驗機速度 SPEED OF TESTING MACHINE: ± 1 rad/sec 15 /min</p> <p>7.2 負 荷 空、無 LOAD, NO LOAD.</p> <p>7.3 往復動作 SWITCHING: 10,000 CYCLES</p> <p>7.4 接觸抵抗 100 mΩ 以下 CONTACT RESISTANCE: LESS THAN 100 mΩ</p> <p>7.5 回轉力之變化 CHANGE OF ROTATION TORQUE: _____ kg cm</p> <p>7.6 作動力之變化 CHANGE OF SWITCHING TENSION: ± 30% g</p>				
NOTICE: SUBJECT TO ALTERATIONS ON APPEARANCE AND TERMS TO BE ALL WFO WITHOUT NOTICE DUE TO OUR QUALITY IMPROVEMENT:					