

SPECIFICATION OF TRI-STATE DIP SWITCH

(ETD SERIES)

1. FEATURES:

- 1-1 With three states (1, open, 0) setting function, especially suitable for encoding/decoding of tri-state encoder/decoder integrated circuit to obtain more security codes than traditional two-state (1,0) operation. For instance, 9 bits with tri-state gets 19,683 (3^9) codes while two-state gets 512 (2^9) codes, gains 38 times in former!
- 1-2 Top tape sealed to withstand wave soldering, board washing.
- 1-3 All materials are UL94V0 grade fire retardant plastics.
- 1-4 Gold plated contact to ensure low contact resistance and long operation life.
- 1-5 Twin contact designed to ensure stable contact.
- 1-6 Ideal for coding of tele-communication, transceiving, remote control and burglar alarm systems which use integrated circuits with tri-state coding system.

2. SPECIFICATIONS:

2-1 ELECTRICAL

2-1-1 Contact Rating

- a) Switching 100mA, 5VDC
- b) Non-Switching 100mA, 50VDC

2-1-2 Contact Resistance

- a) Initial 50m Ω max
- b) After life test 100m Ω max

2-1-3 Insulation Resistance

1,000M Ω min at 100VDC

2-1-4 Dielectric Strength

500VDC min for 1 minute

2-1-5 Capacitance between adjacent switches 5PF max.

2-2 MECHANICAL AND ENVIRONMENTAL

2-2-1 Temperature Rating

a) Operating -25°C - +70°C

b) Storage -40°C - +85°C

2-2-2 Operation Force 100g to 800g

2-2-3 Operation Life 2,000 Operations

2-2-4 Humidity 95% RH, 40°C for 96 Hrs

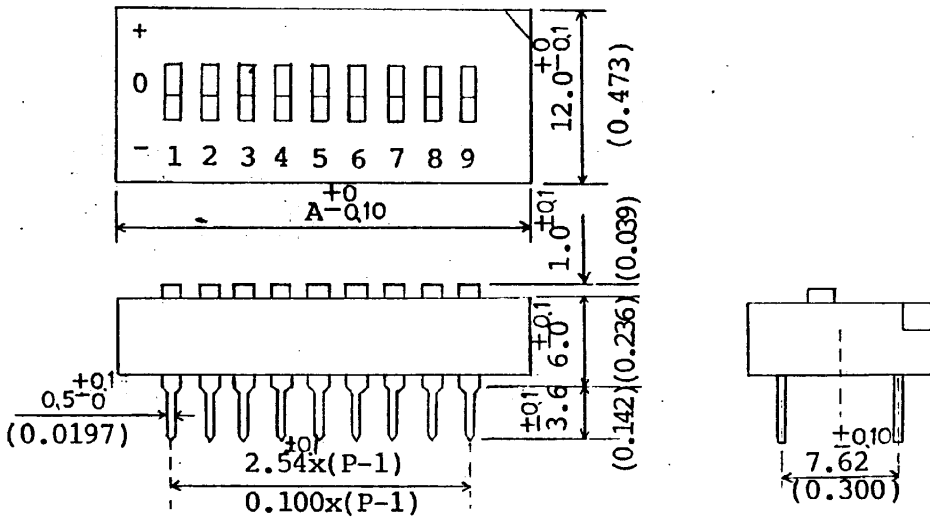
2-2-5 Vibration per MIL-STD-202, METHOD 204B

2-2-6 Solderability per MIL-STD-202, METHOD 208

2-2-7 Heat Shock 260±5°C for 5±1 Second

3. DIMENSIONS AND P.C.B. LAY OUT AND CIRCUITRY

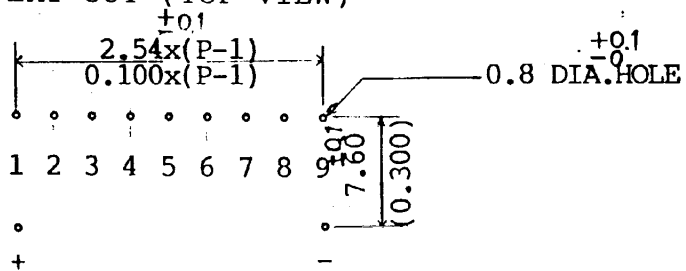
3-1 DIMENSIONS:



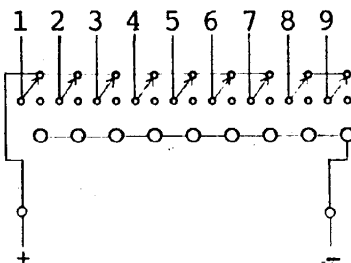
UNIT: mm (inch)

PART NUMBER	NUMBER OF POSITIONS	A DIMENSION
ETD 104E	4	15.30 (0.602)
ETD 105E	5	17.84 (0.702)
ETD 106E	6	20.38 (0.802)
ETD 107E	7	22.92 (0.902)
ETD 108E	8	25.46 (1.002)
ETD 109E	9	28.00 (1.102)
ETD 110E	10	30.54 (1.202)

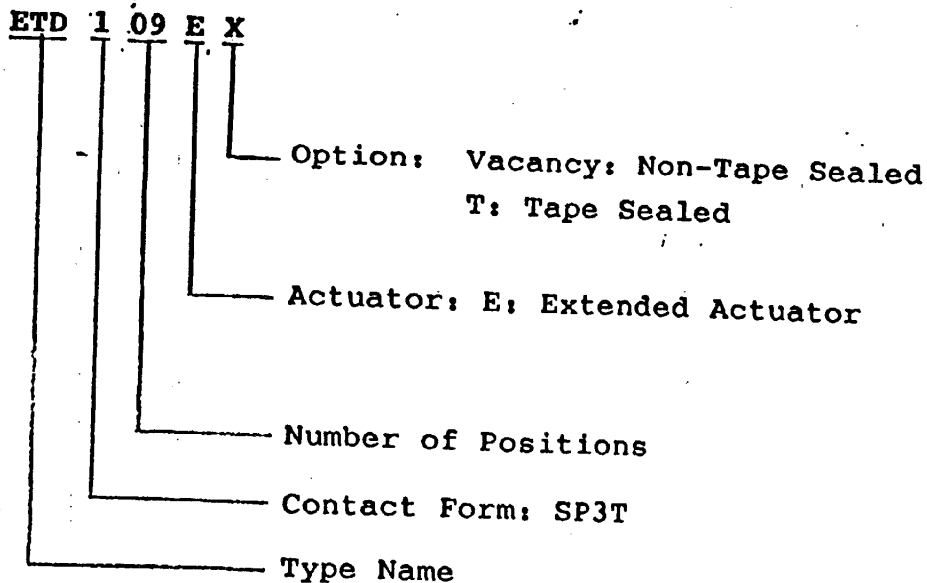
3-2 P.C.B. LAY OUT (TOP VIEW)



3-3 CIRCUITRY



4. PART NUMBERING SYSTEM:



EXCEL CELL ELECTRONIC CO., LTD.

NO. 20, 25 RD, TAICHUNG INDUSTRIAL PARK., TAICHUNG, TAIWAN, R.O.C.

TEL: 886-4-3591253 (REP.) FAX: 886-4-3593893. 3594667

CABLE: "EXCELL" TAICHUNG TELEX: 57137 EXCELL

TAIPEI OFFICE: 6F-9, NO. 1, WU-CHUAN 1 ROAD HSIN CHUNG CITY,
TAIPEI, HSIEN TAIWAN, R.O.C.

TEL: 886-2-2996268 (REP.) FAX: 886-2-2994795