

# Miniature solid-state relay - OPT-24DC/230AC/ 1 - 2967950

Please be informed that the data shown in this PDF Document is generated from our Online Catalog. Please find the complete data in the user's documentation. Our General Terms of Use for Downloads are valid (<http://download.phoenixcontact.com>)



Plug-in miniature solid-state relay, power solid-state relay, input: 24 V DC, output: 24 - 253 V AC/0.75 A

## Product Features

- Vibration and shock resistant
- RT III wash tight (comparable with IP67)
- Wear-free and durable
- Switching power of up to 24 V DC/5 A
- Can be soldered on PCB
- Zero voltage switch at AC output

## Key commercial data

<b>package_quantity</b>	10
<b>GTIN</b>	4017918190538

## Technical data

### Dimensions

<b>Width</b>	5 mm
<b>Height</b>	28 mm
<b>Depth</b>	15 mm

### Ambient conditions

<b>Ambient temperature (operation)</b>	-25 °C ... 60 °C
<b>Ambient temperature (storage/transport)</b>	-25 °C ... 70 °C

### Input data

<b>Nominal input voltage <math>U_N</math></b>	24 V DC
<b>Input voltage range in reference to <math>U_N</math></b>	0.8 ... 1.2
<b>Switching threshold "0" signal, voltage</b>	$\leq 5$ V
<b>Switching threshold "1" signal voltage</b>	$\geq 10$ V
<b>Typical input current at <math>U_N</math></b>	3 mA
<b>Typical response time</b>	6 ms (at $U_N$ )
<b>Typical turn-off time</b>	500 $\mu$ s (at $U_N$ )
<b>Transmission frequency</b>	10 Hz

### Output data

# Miniature solid-state relay - OPT-24DC/230AC/ 1 - 2967950

## Technical data

### Output data

<b>Output voltage range</b>	24 V AC ... 253 V AC
<b>Limiting continuous current</b>	0.75 A (see derating curve)
<b>Maximum inrush current</b>	30 A (10 ms)
<b>Min. load current</b>	10 mA
<b>Leakage current</b>	< 1 mA
<b>Max. load value</b>	4.5 A <sup>2</sup> s
<b>Voltage drop at max. limiting continuous current</b>	< 1 V
<b>Output circuit</b>	2-conductor floating, zero voltage switch
<b>Type of protection</b>	RCV circuit
<b>Protective circuit/component</b>	RCV circuit

### General

<b>Test voltage input/output</b>	2.5 kV (50 Hz, 1 min.)
<b>Mounting position</b>	Any
<b>Assembly instructions</b>	In rows with zero spacing
<b>Operating mode</b>	100% operating factor
<b>Name</b>	Standards/regulations
<b>Standards/regulations</b>	IEC 60664
<b>Standards/regulations</b>	EN 50178
<b>Standards/regulations</b>	IEC 62103
<b>Rated surge voltage / insulation</b>	Basic insulation
<b>Pollution degree</b>	2
<b>Surge voltage category</b>	III

## classifications

### eCl@ss

<b>eCl@ss 4.0</b>	27371102
<b>eCl@ss 4.1</b>	27371102
<b>eCl@ss 5.0</b>	27371001
<b>eCl@ss 5.1</b>	27371001
<b>eCl@ss 6.0</b>	27371604
<b>eCl@ss 7.0</b>	27371604
<b>eCl@ss 8.0</b>	27371604

### ETIM

<b>ETIM 2.0</b>	EC001504
<b>ETIM 3.0</b>	EC001504
<b>ETIM 4.0</b>	EC001504
<b>ETIM 5.0</b>	EC001504

### UNSPSC

<b>UNSPSC 6.01</b>	30211916
--------------------	----------

# Miniature solid-state relay - OPT-24DC/230AC/ 1 - 2967950

## classifications

### UNSPSC

UNSPSC 7.0901	39121542
UNSPSC 11	39121542
UNSPSC 12.01	39121542
UNSPSC 13.2	39121542

## approvals

UL Recognized / cUL Recognized / GOST / GL / UL Recognized / cUL Recognized / cULus Recognized /

### Approval details

UL Recognized

cUL Recognized

GOST

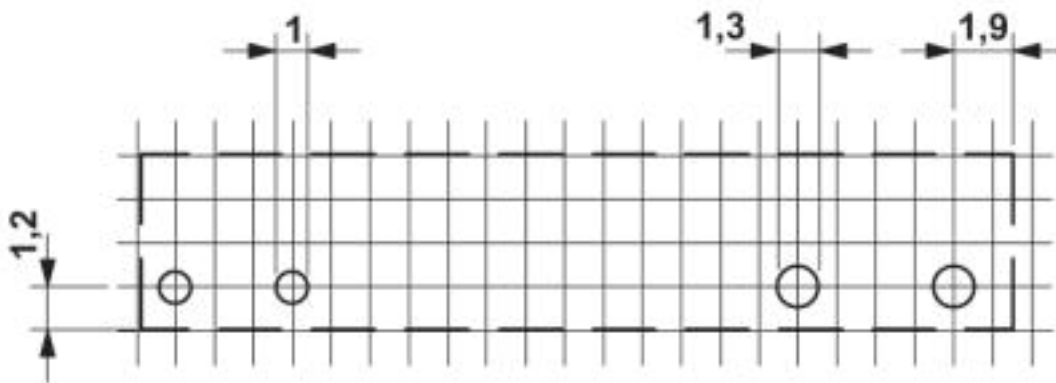
GL

cULus Recognized

## Drawings

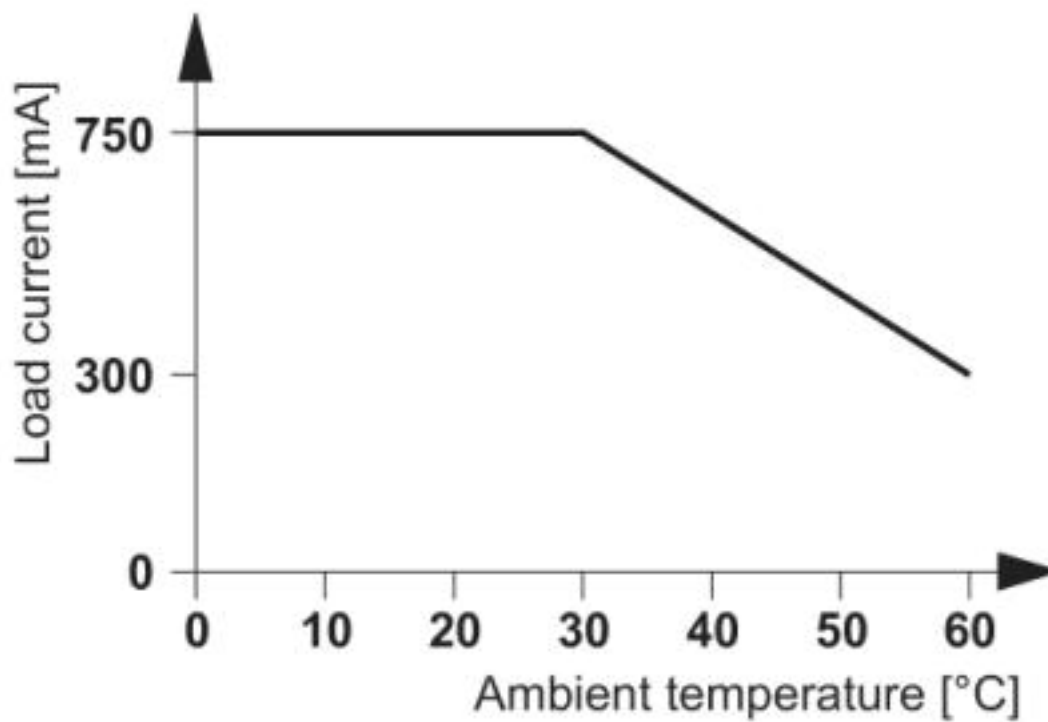
# Miniature solid-state relay - OPT-24DC/230AC/ 1 - 2967950

Drilling diagram



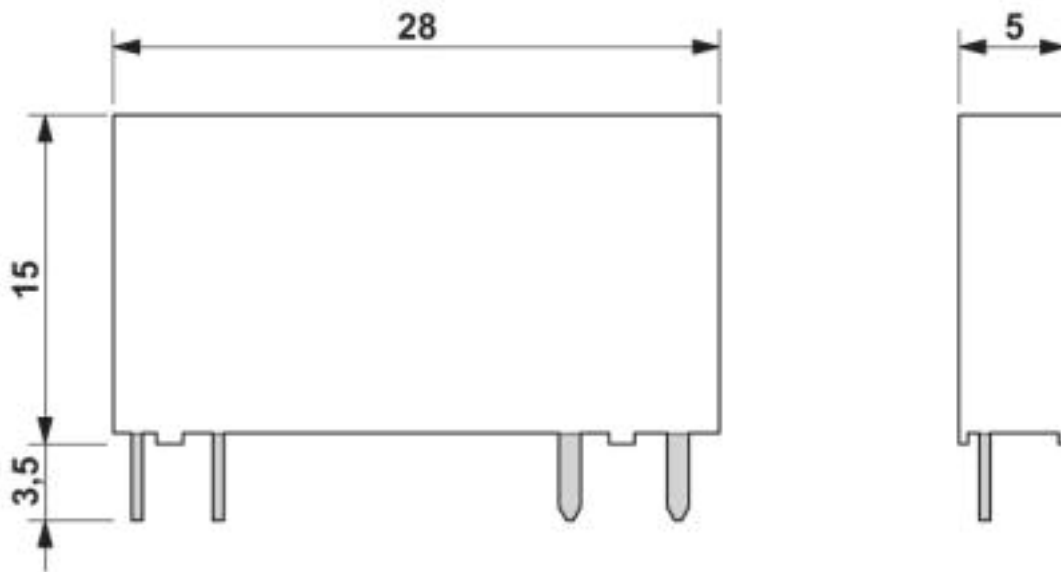
a = pitch division 1.25 mm and 1.27 mm

Diagram



# Miniature solid-state relay - OPT-24DC/230AC/ 1 - 2967950

Dimensioned drawing



Circuit diagram

