

Relay Module - DEK-REL- 24/I/1 - 2940171

Please be informed that the data shown in this PDF Document is generated from our Online Catalog. Please find the complete data in the user's documentation. Our General Terms of Use for Downloads are valid (<http://download.phoenixcontact.com>)



Relay terminal block, with soldered-in miniature relays, contact (AgNi+Au): small to medium loads, 1 N/O contact, input voltage 24 V AC/DC, for assembly on NS 35/7.5, terminal width 6.2 mm

Product Features

- Reduced costs as N terminal block is no longer required
- Wiring reduced to a minimum
- Up to 73% more space
- 2-layer contact with hard gold plating for universal applications from 1 mA to 5 A continuous current
- 2 kVrms electrical isolation between input and output
- Integrated input circuit



Key commercial data

package_quantity	10
GTIN	4017918079895

Technical data

Note:

Utilization restriction	EMC: class A product, see manufacturer's declaration in the download area
-------------------------	---

Dimensions

Width	6.2 mm
Height	80 mm
Depth	56 mm

Ambient conditions

Ambient temperature (operation)	-20 °C ... 50 °C
Ambient temperature (storage/transport)	-20 °C ... 70 °C

Coil side

Nominal input voltage U_N	24 V AC/DC
Nominal input voltage U_N	24 V DC
Nominal input voltage U_N	24 V AC
Input voltage range in reference to U_N	0.8 ... 1.1

Relay Module - DEK-REL- 24/I/1 - 2940171

Technical data

Coil side

Nominal input current at U _{IN}	6.5 mA
Typical response time	5 ms
Typical release time	15 ms
Operating voltage display	Yellow LED
Protective circuit	Bridge rectifier Bridge rectifier

Contact side

Contact type	1 N/O contact (double contact)
Contact material	AgNi, hard gold-plated
Maximum switching voltage	250 V AC
Maximum switching voltage	125 V DC
Minimum switching voltage	0.1 V
Maximum inrush current	5 A
Min. switching current	1 mA
Limiting continuous current	3 A (5 A up to 35°C at 24 V DC)
Interrupting rating (ohmic load) max.	72 W (at 24 V DC)
Interrupting rating (ohmic load) max.	60 W (at 48 V DC)
Interrupting rating (ohmic load) max.	50 W (at 60 V DC)
Interrupting rating (ohmic load) max.	50 W (at 110 V DC)
Interrupting rating (ohmic load) max.	750 VA (for 250 V AC)
Interrupting rating (ohmic load) max.	120 W (at 24 V DC - up to 35°)

General

Test voltage relay winding/relay contact	2 kV AC (50 Hz, 1 min.)
Operating mode	100% operating factor
Mechanical service life	Approx. 2 x 10 ⁷ cycles
Standards/regulations	IEC 60664
Standards/regulations	EN 50178
Standards/regulations	IEC 62103
Rated surge voltage / insulation	Basic insulation
Pollution degree	2
Surge voltage category	III
Mounting position	Any
Assembly instructions	In rows with zero spacing

Connection data

Connection method	Screw connection
Conductor cross section solid min.	0.2 mm ²
Conductor cross section solid max.	2.5 mm ²
Conductor cross section stranded min.	0.2 mm ²
Conductor cross section stranded max.	2.5 mm ²
Conductor cross section AWG/kcmil min.	24
Conductor cross section AWG/kcmil max	14

Relay Module - DEK-REL- 24/I/1 - 2940171

Technical data

Connection data

Stripping length	8 mm
Screw thread	M3

classifications

eCl@ss

eCl@ss 4.0	27371102
eCl@ss 4.1	27371102
eCl@ss 5.0	27371001
eCl@ss 5.1	27371001
eCl@ss 6.0	27371001
eCl@ss 7.0	27371001
eCl@ss 8.0	27371001

ETIM

ETIM 2.0	EC001437
ETIM 3.0	EC001437
ETIM 4.0	EC001437
ETIM 5.0	EC001437

UNSPSC

UNSPSC 6.01	30211916
UNSPSC 7.0901	39121515
UNSPSC 11	39121515
UNSPSC 12.01	39121515
UNSPSC 13.2	39121515

approvals

UL Recognized / cUL Recognized / GOST / cULus Recognized /

Approval details



Relay Module - DEK-REL- 24/I/1 - 2940171

approvals



accessories

Partition plate

D-DEK 1,5 GN - 2716949



Bridge

EB 80- DIK WH - 2715788



EB 80- DIK RD - 2715953



EB 80- DIK BU - 2715940



Relay Module - DEK-REL- 24/I/1 - 2940171

accessories

EB 10- DIK BU - 2716680



EB 5- DIK BU - 2716677



EB 4- DIK BU - 2716664



EB 3- DIK BU - 2716651



EB 3- DIK BU - 2716651



EB 10- DIK RD - 2716774



Relay Module - DEK-REL- 24/I/1 - 2940171

accessories

EB 5- DIK RD - 2716761



EB 4- DIK RD - 2716758



EB 3- DIK RD - 2716745



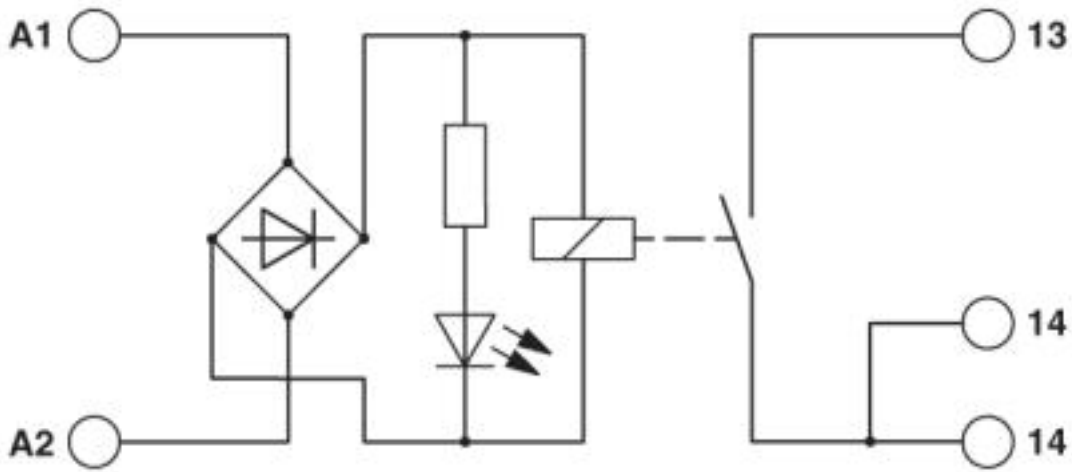
EB 2- DIK RD - 2716693



Drawings

Relay Module - DEK-REL- 24/I/1 - 2940171

Circuit diagram



© Phoenix Contact 2013 - all rights reserved
<http://www.phoenixcontact.com>