

Relay Module - DEK-REL-G24/21 - 2964500

Please be informed that the data shown in this PDF Document is generated from our Online Catalog. Please find the complete data in the user's documentation. Our General Terms of Use for Downloads are valid (<http://download.phoenixcontact.com>)



Relay terminal block, with soldered-in miniature power relay, contacts (AgSnO): medium to large loads, 1 PDT, input voltage 24 V DC, for assembly on NS 35/7.5, terminal width 6.2 mm

Product Features

- Less wiring effort, thanks to the use of EB-DIK insertion bridges
- Just 6.2 mm wide
- Cadmium-free relay contacts
- Less storage, since PDT, N/O or N/C contacts can be wired
- High switching power of 250 V AC/6 A
- Safe isolation according to DIN EN 50178 (VDE 0160)
- Relay housing with IP67 protection
- LED for indicating the switching state
- 4 kV electrical isolation between input and output



Key commercial data

package_quantity	10
GTIN	4017918117733

Technical data

Note:

Utilization restriction	EMC: class A product, see manufacturer's declaration in the download area
-------------------------	---

Dimensions

Width	6.2 mm
Height	80 mm
Depth	56 mm

Ambient conditions

Ambient temperature (operation)	-20 °C ... 50 °C
Ambient temperature (storage/transport)	-20 °C ... 70 °C

Coil side

Nominal input voltage U_N	24 V DC
-----------------------------	---------

Relay Module - DEK-REL-G24/21 - 2964500

Technical data

Coil side

Input voltage range in reference to U _N	0.8 ... 1.1
Nominal input current at U _{IN}	9 mA
Typical response time	8 ms
Typical release time	5 ms
Operating voltage display	Yellow LED
Protective circuit	Protection against polarity reversal Polarity protection diode
Protective circuit	Free-wheeling diode Damping diode

Contact side

Contact type	1 PDT
Contact material	AgSnO
Maximum switching voltage	250 V AC/DC
Minimum switching voltage	12 V AC/DC
Maximum inrush current	6 A
Min. switching current	10 mA
Limiting continuous current	6 A
Interrupting rating (ohmic load) max.	140 W (at 24 V DC)
Interrupting rating (ohmic load) max.	20 W (at 48 V DC)
Interrupting rating (ohmic load) max.	18 W (at 60 V DC)
Interrupting rating (ohmic load) max.	23 W (at 110 V DC)
Interrupting rating (ohmic load) max.	40 W (at 220 V DC)
Interrupting rating (ohmic load) max.	1500 VA (for 250 V AC)

General

Test voltage relay winding/relay contact	4 kV AC (50 Hz, 1 min.)
Operating mode	100% operating factor
Mechanical service life	Approx. 10 ⁷ cycles
Standards/regulations	IEC 60664
Standards/regulations	EN 50178
Standards/regulations	IEC 62103
Rated surge voltage / insulation	6 kV (safe isolation: control side / contact side)
Rated insulation voltage	250 V
Pollution degree	2
Surge voltage category	III
Mounting position	Any
Assembly instructions	In rows with zero spacing

Connection data

Connection method	Screw connection
Conductor cross section solid min.	0.2 mm ²
Conductor cross section solid max.	2.5 mm ²
Conductor cross section stranded min.	0.2 mm ²
Conductor cross section stranded max.	2.5 mm ²

Relay Module - DEK-REL-G24/21 - 2964500

Technical data

Connection data

Conductor cross section AWG/kcmil min.	24
Conductor cross section AWG/kcmil max	14
Stripping length	8 mm
Screw thread	M3

classifications

eCl@ss

eCl@ss 4.0	27371102
eCl@ss 4.1	27371102
eCl@ss 5.0	27371001
eCl@ss 5.1	27371001
eCl@ss 6.0	27371001
eCl@ss 7.0	27371001
eCl@ss 8.0	27371001

ETIM

ETIM 2.0	EC001437
ETIM 3.0	EC001437
ETIM 4.0	EC001437
ETIM 5.0	EC001504

UNSPSC

UNSPSC 6.01	30211916
UNSPSC 7.0901	39121515
UNSPSC 11	39121515
UNSPSC 12.01	39121515
UNSPSC 13.2	39121515

approvals

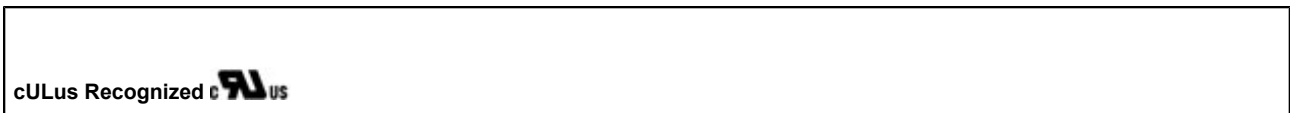
UL Recognized / cUL Recognized / GOST / cULus Recognized /

Approval details



Relay Module - DEK-REL-G24/21 - 2964500

approvals



accessories

Partition plate

D-DEK 1,5 GN - 2716949



Bridge

EB 2- DIK RD - 2716693



EB 3- DIK RD - 2716745



EB 4- DIK RD - 2716758



Relay Module - DEK-REL-G24/21 - 2964500

accessories

EB 5- DIK RD - 2716761



EB 10- DIK RD - 2716774



EB 2- DIK BU - 2716648



EB 3- DIK BU - 2716651



EB 4- DIK BU - 2716664



EB 5- DIK BU - 2716677



Relay Module - DEK-REL-G24/21 - 2964500

accessories

EB 10- DIK BU - 2716680



EB 80- DIK BU - 2715940



EB 80- DIK RD - 2715953



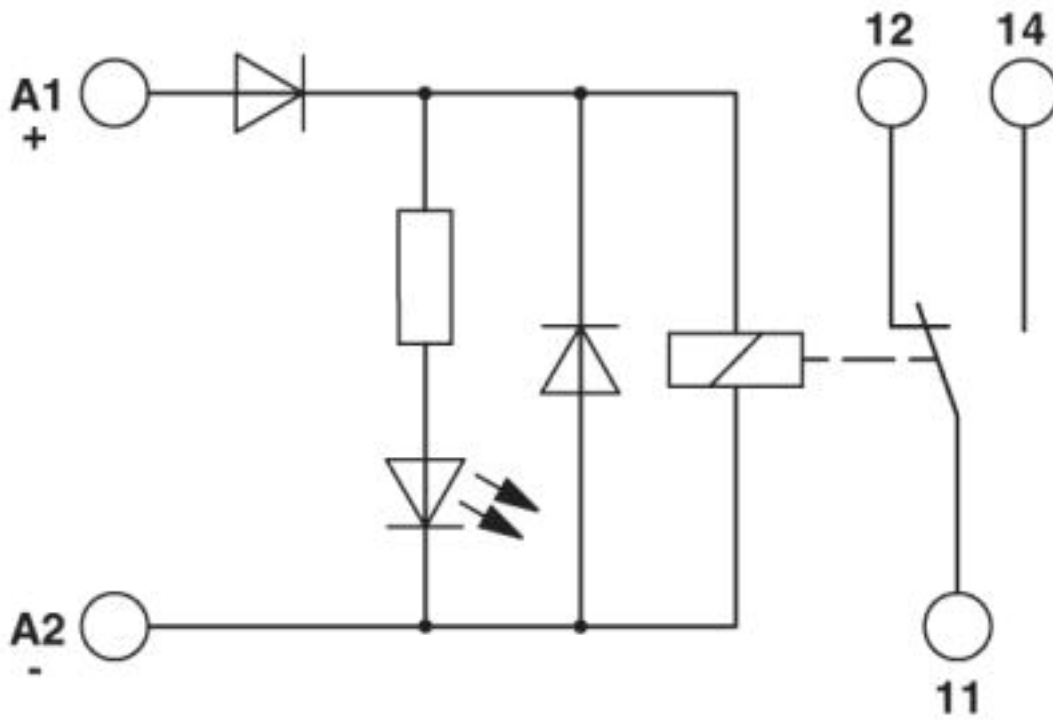
EB 80- DIK WH - 2715788



Drawings

Relay Module - DEK-REL-G24/21 - 2964500

Circuit diagram



© Phoenix Contact 2013 - all rights reserved
<http://www.phoenixcontact.com>