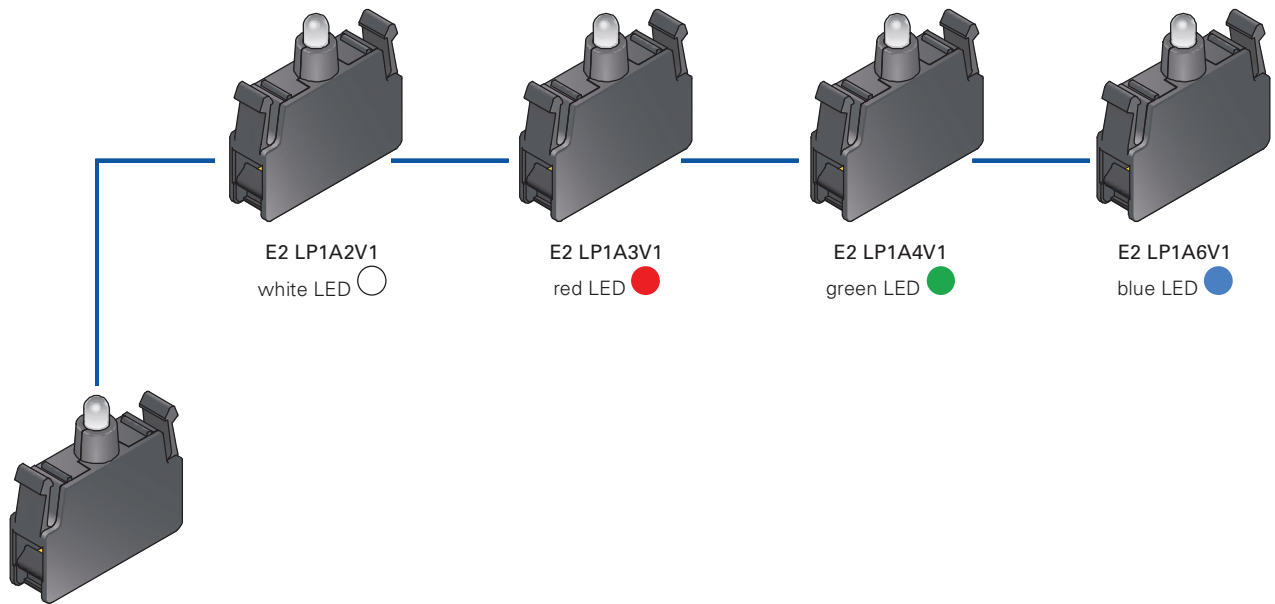
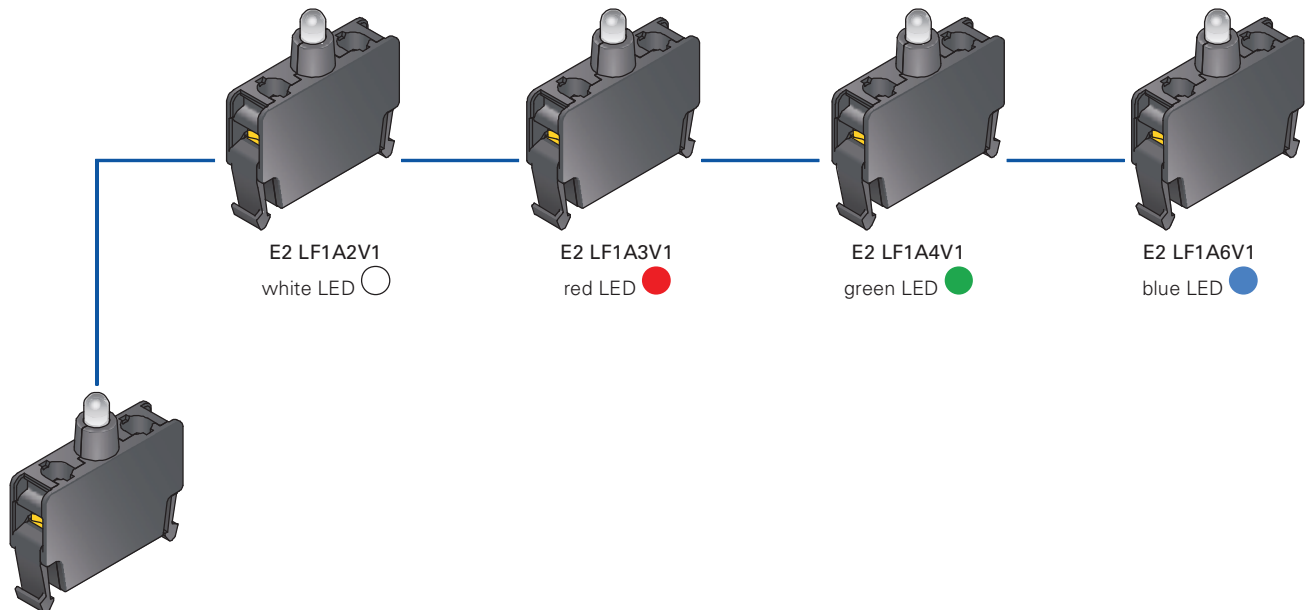


Selection diagram

PANEL FIXING LED HOLDERS

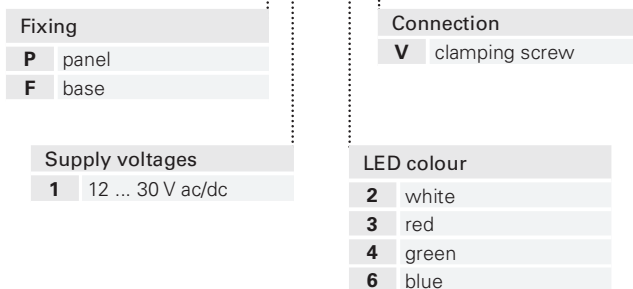


BASE FIXING LED HOLDERS



LED holders code structure

E2 LP1A3V1



Attention! The feasibility of a code number does not mean the effective availability of a product. Please contact our sales office.



Main features

- High brilliancy LED
- Power supply 12 ... 30 Vac/dc
- Protection degree IP20 according to IEC 60529
- Panel and base fixing versions

Technical data

General data

Protection degree:	IP20 on terminals according to IEC 60529
Ambient temperature:	-25°C +70°C
Endurance:	100.000 hours
Utilization requirements:	(at rated voltage and ambient temperature +25 °C) see page 61

Contact block

Conductor cross section:	min 1 x 0,5 mm ² (1 x AWG 20) max 2 x 2,5 mm ² (2 x AWG 14)
Operation voltage:	12 ... 30 Vac/dc
Operation current:	5 ... 15 mA
Screw terminal driving torque:	0,6 ... 0,8 Nm

In conformity with standards:

IEC 60947-1, IEC 60947-5-1, IEC 60204-1, EN 60947-1, EN 60947-5-1, EN 60204-1, UL 508, CSA 22-2 N°14

In conformity with requirements requested by:

Low Voltage Directive 2006/95/EC, Machinery Directive 2006/42/EC and Electromagnetic Compatibility 2004/108/EC.

Markings and quality marks:



Approval UL:



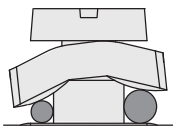
E131787

General characteristics

Protection degree

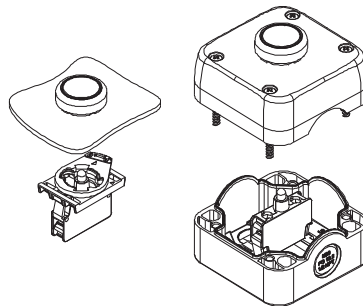
All contact blocks have protection degree IP20 on terminals.

Clamping screw plates



The clamping screw plates of the contact blocks have a particular "roofing tile" structure and are connected loosely to the clamping screw. In this way, during the wires fixing, the clamping screw plate is able to suit to cables of different diameter (see picture) and tends to tighten the wires toward the screw instead of permitting them to escape towards the outside.

Available versions



The LED holders of the control and signalling devices have two types of fixing: panel and base fixing.

High luminous efficiency LED

The LED holders to be combined with the illuminated devices have LED (Light Emitting Diodes) with a high luminous efficiency in order to guarantee better visibility.

Using integrated LED instead of incandescent lamps is a great advantage since they solve problems related to the endurance and the high power consumption typical of lamps. LED characteristics in fact are a high reliability, low consumption and elevate resistance to vibrations.

Wide voltage range

The LED holders of the control and signalling devices offer a wide voltage range, from 12 to 30Vac/dc, always maintaining an unchanged brilliancy.

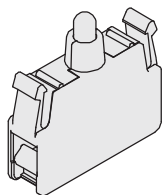
Data type approved by UL

Rated supply voltage U_n : 12-30 Vac/dc,
Rated supply current I_n : 5-15 mA

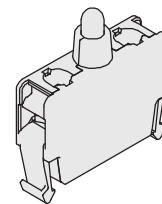
Note:

- Use copper wire (Cu) 60 or 75 °C rigid or flexible with cross section 12-20 AWG.
- Terminals tightening torque 7,1 Lb In (0,8 Nm).

LED holders selection table



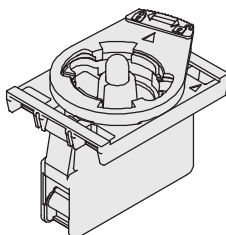
LED colour	Actuator colour	Panel fixing
white	white / yellow	E2 LP1A2V1
red	red	E2 LP1A3V1
green	green	E2 LP1A4V1
blue	blue	E2 LP1A6V1



LED colour	Actuator colour	Base fixing
white	white / yellow	E2 LF1A2V1
red	red	E2 LF1A3V1
green	green	E2 LF1A4V1
blue	blue	E2 LF1A6V1

Attention! Comply with the combination between Led and actuators colours.

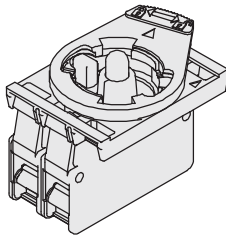
Complete units with LED holders and fixing adapter



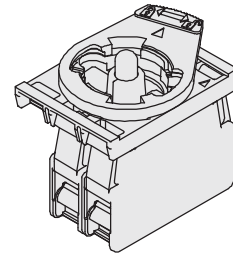
LED colour	Contacts			Panel fixing
	pos 2	pos 3	pos 1	
white	-	LED	-	E2 AC-XXBC0053 E2 1BAC11 + E2 LP1A2V1
red	-	LED	-	E2 AC-XXBC0055 E2 1BAC11 + E2 LP1A3V1
green	-	LED	-	E2 AC-XXBC0054 E2 1BAC11 + E2 LP1A4V1
blue	-	LED	-	E2 AC-XXBC0056 E2 1BAC11 + E2 LP1A6V1

Items with code on the **green** background are available in stock

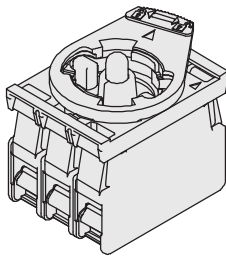
Complete units with LED holders, contact block and fixing adapter



Contact block			LED colour	Panel fixing
pos 2	pos 3	pos 1		
1NC ⊕	LED	-	white	E2 AC-XXBC0020 E2 1BAC11 + E2 CP01G2V1 + E2 LP1A2V1
1NC ⊕	LED	-	red	E2 AC-XXBC0037 E2 1BAC11 + E2 CP01G2V1 + E2 LP1A3V1
1NC ⊕	LED	-	green	E2 AC-XXBC0029 E2 1BAC11 + E2 CP01G2V1 + E2 LP1A4V1
1NC ⊕	LED	-	blue	E2 AC-XXBC0045 E2 1BAC11 + E2 CP01G2V1 + E2 LP1A6V1



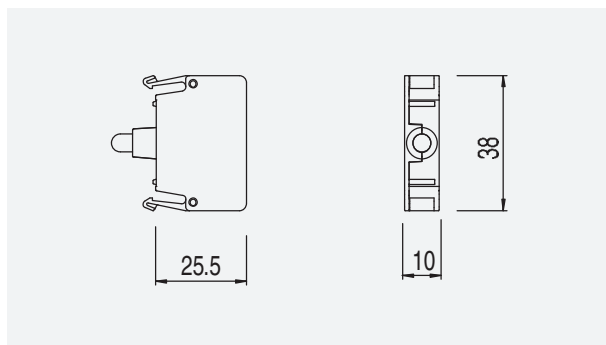
Contact block			LED colour	Panel fixing
pos 2	pos 3	pos 1		
-	LED	1NO	white	E2 AC-XXBC0021 E2 1BAC11 + E2 LP1A2V1 + E2 CP10G2V1
-	LED	1NO	red	E2 AC-XXBC0039 E2 1BAC11 + E2 LP1A3V1 + E2 CP10G2V1
-	LED	1NO	green	E2 AC-XXBC0031 E2 1BAC11 + E2 LP1A4V1 + E2 CP10G2V1
-	LED	1NO	blue	E2 AC-XXBC0047 E2 1BAC11 + E2 LP1A6V1 + E2 CP10G2V1



Contact block			LED colour	Panel fixing
pos 2	pos 3	pos 1		
1NC ⊕	LED	1NO	white	E2 AC-XXBC0027 E2 1BAC11 + E2 CP01G2V1 + E2 LP1A2V1 + E2 CP10G2V1
1NC ⊕	LED	1NO	red	E2 AC-XXBC0044 E2 1BAC11 + E2 CP01G2V1 + E2 LP1A3V1 + E2 CP10G2V1
1NC ⊕	LED	1NO	green	E2 AC-XXBC0036 E2 1BAC11 + E2 CP01G2V1 + E2 LP1A4V1 + E2 CP10G2V1
1NC ⊕	LED	1NO	blue	E2 AC-XXBC0052 E2 1BAC11 + E2 CP01G2V1 + E2 LP1A6V1 + E2 CP10G2V1

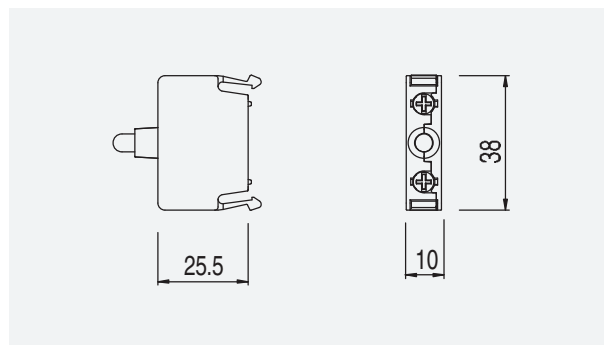
Dimensions

Panel fixing contact block



All measures in the drawings are in mm

Base fixing contact block



→ 2D and 3D files available on www.pizzato.it

Accessories

→ [More ACCESSORIES at page 57](#)

