

System connection - PLC-V8/D15S/OUT - 2296058

Please be informed that the data shown in this PDF Document is generated from our Online Catalog. Please find the complete data in the user's documentation. Our General Terms of Use for Downloads are valid (<http://download.phoenixcontact.com>)



V8-OUTPUT adapter for eight 6.2 mm PLC interfaces (1 PDT, etc./see "Additional Products"). 15-pin D-SUB male connector, control logic: Positive switching

Key commercial data

| | |
|-------------------------|---------------|
| package_quantity | 1 |
| GTIN | 4017918189105 |

Technical data

Dimensions

| | |
|---------------|---------|
| Width | 49.6 mm |
| Height | 100 mm |
| Depth | 94 mm |

Ambient conditions

| | |
|--|------------------|
| Ambient temperature (operation) | -40 °C ... 70 °C |
| Ambient temperature (storage/transport) | -40 °C ... 70 °C |

General

| | |
|--|-----------------------|
| Nominal voltage U_N | 24 V DC \pm 25% |
| Max. current carrying capacity per branch | 1 A (per signal path) |
| Max. total current of voltage supply | 3 A |
| Number of positions | 15 |
| Status display | Green LED |
| Test voltage | 500 V (50 Hz, 1 min.) |
| Mounting position | Any |
| Standards/regulations | IEC 60664 |
| Standards/regulations | DIN EN 50178 |
| Standards/regulations | IEC 62103 |
| Inflammability class according to UL 94 | V0 |
| Pollution degree | 2 |
| Surge voltage category | III |
| Rated surge voltage | 0.8 kV |

Connection data for connection 1

| | |
|------------------------|--------------|
| Connection name | Power supply |
|------------------------|--------------|

System connection - PLC-V8/D15S/OUT - 2296058

Technical data

Connection data for connection 1

| | |
|--|---------------------|
| Connection in acc. with standard | IEC / EN |
| Number of connections | 1 |
| Connection method | Screw connection |
| Conductor cross section solid min. | 0.2 mm ² |
| Conductor cross section solid max. | 4 mm ² |
| Conductor cross section stranded min. | 0.2 mm ² |
| Conductor cross section stranded max. | 2.5 mm ² |
| Conductor cross section AWG/kcmil min. | 24 |
| Conductor cross section AWG/kcmil max | 12 |
| Stripping length | 8 mm |
| Screw thread | M3 |

Connection data for connection 2

| | |
|-----------------------|-----------------|
| Connection name | Signal level |
| Number of connections | 1 |
| Connection method | D-SUB pin strip |
| Number of positions | 15 |

classifications

eCl@ss

| | |
|------------|----------|
| eCl@ss 4.0 | 27250313 |
| eCl@ss 4.1 | 27250313 |
| eCl@ss 5.0 | 27250313 |
| eCl@ss 5.1 | 27250313 |
| eCl@ss 6.0 | 27242208 |
| eCl@ss 7.0 | 27242208 |
| eCl@ss 8.0 | 27242208 |

ETIM

| | |
|----------|----------|
| ETIM 2.0 | EC001423 |
| ETIM 3.0 | EC001423 |
| ETIM 4.0 | EC001423 |
| ETIM 5.0 | EC001423 |

UNSPSC

| | |
|---------------|----------|
| UNSPSC 6.01 | 30211824 |
| UNSPSC 7.0901 | 39121402 |
| UNSPSC 11 | 39121402 |
| UNSPSC 12.01 | 39121402 |
| UNSPSC 13.2 | 39121402 |

System connection - PLC-V8/D15S/OUT - 2296058

approvals

UL Recognized / UL Listed / cUL Recognized / GOST / cUL Listed / GL / cULus Recognized / cULus Listed /

Approval details

UL Recognized

UL Listed

cUL Recognized

GOST

cUL Listed

GL

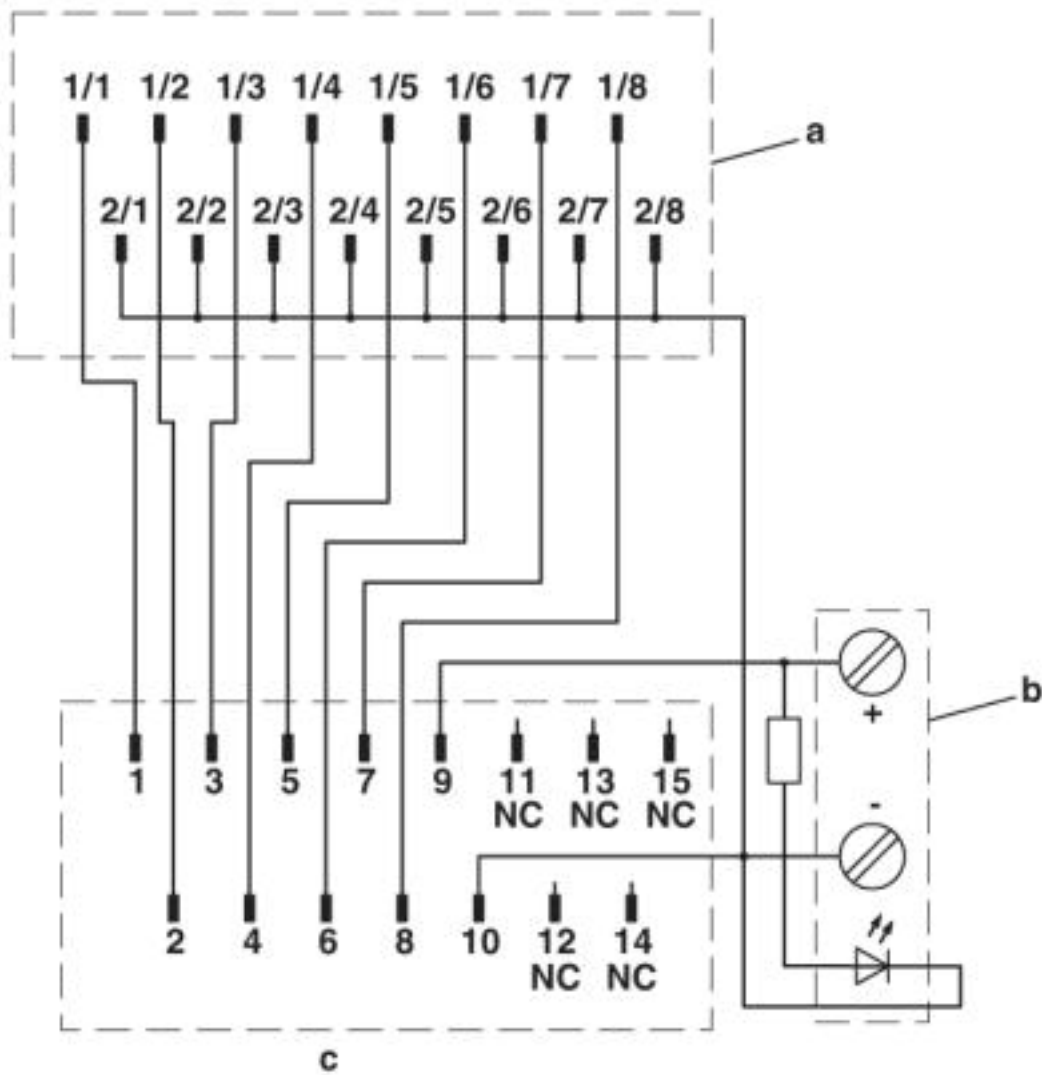
cULus Recognized

cULus Listed

Drawings

System connection - PLC-V8/D15S/OUT - 2296058

Circuit diagram



a = contacting with PLC terminal blocks
b = power terminal block
c = D-SUB strip 15-pos.

© Phoenix Contact 2013 - all rights reserved
<http://www.phoenixcontact.com>