

Optocoupler module - UMK- 4 OM-R/MF/P - 2972673

Please be informed that the data shown in this PDF Document is generated from our Online Catalog. Please find the complete data in the user's documentation. Our General Terms of Use for Downloads are valid (<http://download.phoenixcontact.com>)



Interface module, with plug-in socket for 4 solid-state relays, with security latch, with screw connection, with light indicator and fuse, control logic: plus switching

The illustration shows a version for 4 pluggable digital I/O modules, or SOLID-state relays

Product Features

- Status indicator
- Integrated fuse for line protection
- Can be fitted with solid-state relays or I/O modules



Key commercial data

package_quantity	1
GTIN	4017918088637

Technical data

Dimensions

Width	90 mm
Height	77 mm
Depth	72 mm

Ambient conditions

Ambient temperature (operation)	-20 °C ... 55 °C
Ambient temperature (storage/transport)	-20 °C ... 70 °C

Input data

Typical input current at U_N	30 mA (Optocoupler dependent)
Operating voltage display	Yellow LED
Status display/channel	Yellow LED

Output data

Limiting continuous current	4 A
Error detection (line break / short-circuit)	no

General

Optocoupler module - UMK- 4 OM-R/MF/P - 2972673

Technical data

General

No. of channels	4
Compatible components	Digital I/O modules
With components	No
Standards/regulations	DIN VDE 0110b, Gr. C for 250 V DC
Standards/regulations	DIN VDE 0160 (in relevant parts)
Mounting position	Any
Assembly instructions	In rows with zero spacing
Housing insulation material	PVC, side panel PA non-reinforced,
Color	green

Connection data for connection 1

Connection name	Input
Number of connections	2
Connection method	Screw connection
Number of positions	6
Conductor cross section stranded min.	0.2 mm ²
Conductor cross section stranded max.	2.5 mm ²
Conductor cross section solid min.	0.2 mm ²
Conductor cross section solid max.	4 mm ²
Conductor cross section AWG/kcmil min.	24
Conductor cross section AWG/kcmil max	12
Screw thread	M3
Stripping length	8 mm

classifications

eCl@ss

eCl@ss 4.0	27371102
eCl@ss 4.1	27371102
eCl@ss 5.0	27371001
eCl@ss 5.1	27371001
eCl@ss 6.0	27371001
eCl@ss 7.0	27371001
eCl@ss 8.0	27371001

ETIM

ETIM 2.0	EC001504
ETIM 3.0	EC001504
ETIM 4.0	EC001504
ETIM 5.0	EC001504

UNSPSC

UNSPSC 6.01	30211916
--------------------	----------

Optocoupler module - UMK- 4 OM-R/MF/P - 2972673

classifications

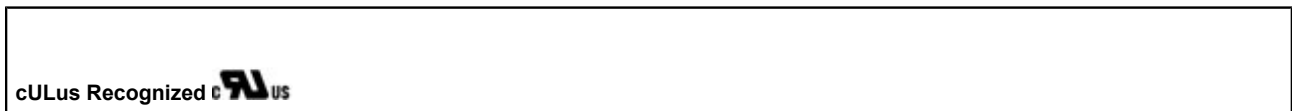
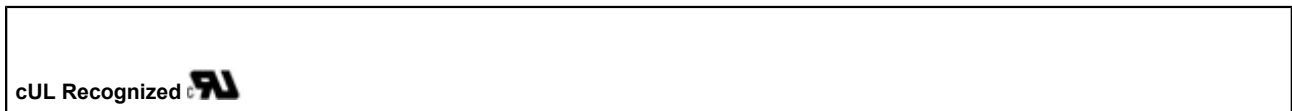
UNSPSC

UNSPSC 7.0901	39121542
UNSPSC 11	39121542
UNSPSC 12.01	39121542
UNSPSC 13.2	39121542

approvals

UL Recognized / cUL Recognized / GOST / cULus Recognized /

Approval details



accessories

Fuse

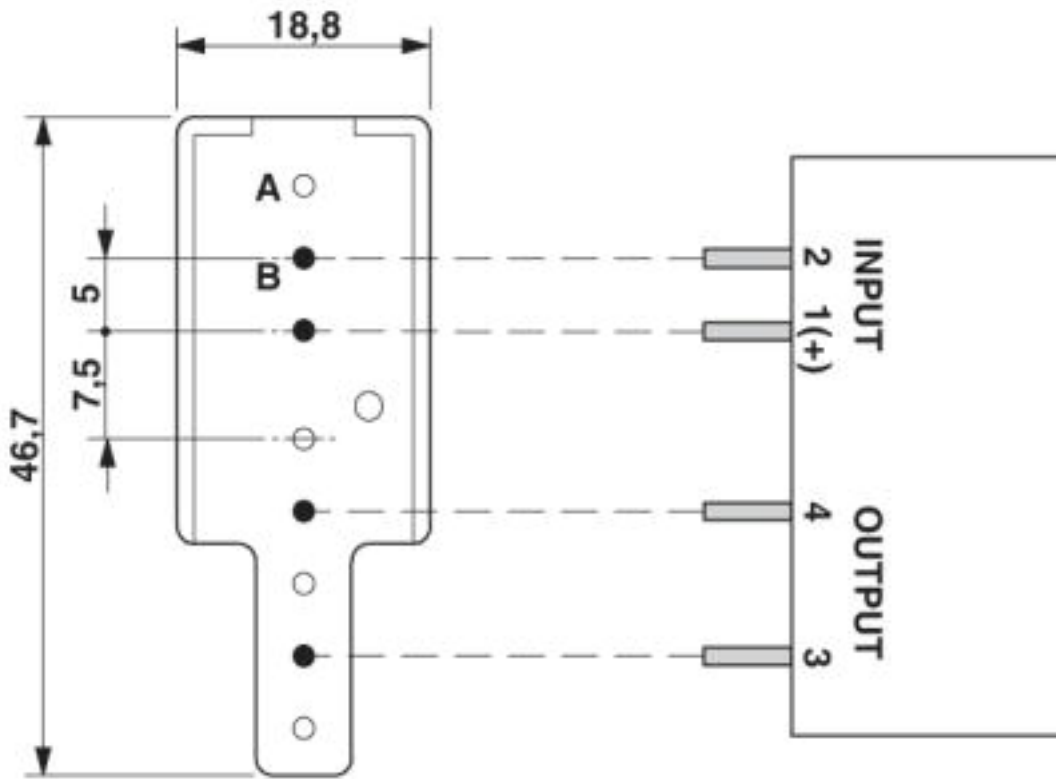
VF-SI/TR5/4AT - 2900998



Drawings

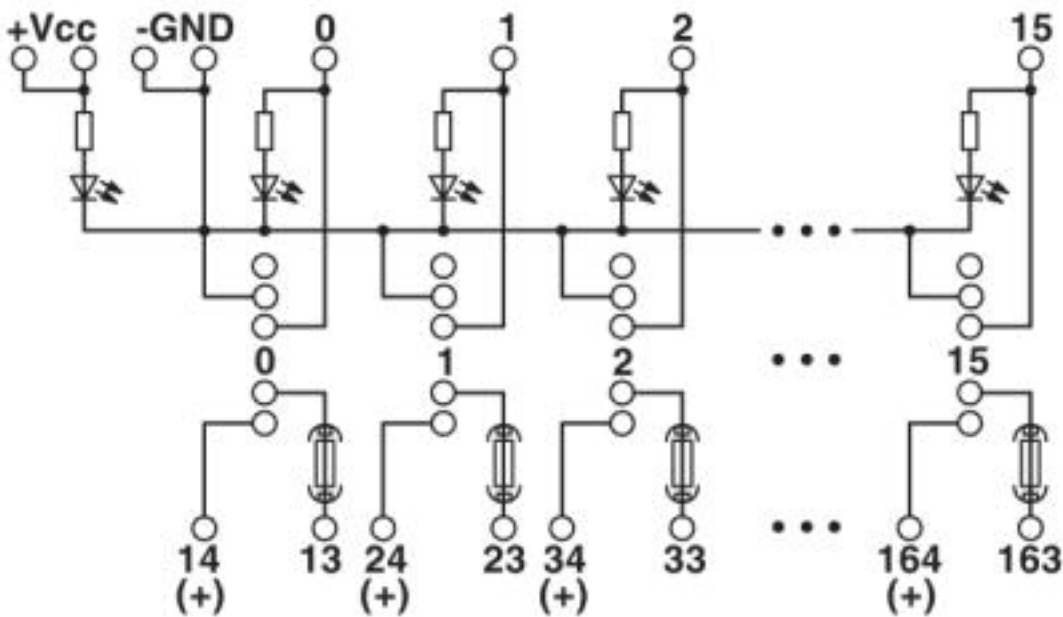
Optocoupler module - UMK- 4 OM-R/MF/P - 2972673

Dimensioned drawing



A = without metal
B = with metal

Circuit diagram





© Phoenix Contact 2013 - all rights reserved
<http://www.phoenixcontact.com>