

Safety device - PSR-SCP- 24DC/RSM4/4X1 - 2981538

Please be informed that the data shown in this PDF Document is generated from our Online Catalog. Please find the complete data in the user's documentation. Our General Terms of Use for Downloads are valid (<http://download.phoenixcontact.com>)



Two-channel speed and downtime monitor up to SIL 3 or Cat. 4, PL e according to EN ISO 13849, 4 N/O contacts, suitable for connecting incremental encoders and initiators, plug-in screw connection terminal blocks, width: 45 mm

Product Features

- Easy configuration via software (PSR-RSM4)
- Up to SIL 3 according to IEC 61508
- Standard sensors can be connected



Key commercial data

package_quantity	1
GTIN	4017918996826

Technical data

Note:

Utilization restriction	EMC: class A product, see manufacturer's declaration in the download area
-------------------------	---

Dimensions

Width	45 mm
Height	99 mm
Depth	114.5 mm

Ambient conditions

Ambient temperature (operation)	-20 °C ... 55 °C
Ambient temperature (storage/transport)	-40 °C ... 70 °C

Input data

Nominal input voltage U_N	24 V DC
Input voltage range in reference to U_N	0.85 ... 1.1
Typical input current at U_N	100 mA
Voltage at input/start and feedback circuit	approx. 24 V DC
Typical response time	15 ms
Typical release time	12 ms
Recovery time	1 s

Safety device - PSR-SCP- 24DC/RSM4/4X1 - 2981538

Technical data

Input data

Limit frequency	2 kHz (IN1, IN2)
Limit frequency	400 kHz (RJ45)

Output data

Contact type	4 enabling current paths
Contact material	AgNi10, + 5 µm Au
Maximum switching voltage	250 V AC/DC (when the gold layer is destroyed)
Maximum switching voltage	60 V AC/DC (With gold layer existing)
Minimum switching voltage	100 mV AC/DC
Limiting continuous current	5 A
Limiting continuous current	100 mA (alarm outputs)
Maximum inrush current	6 A
Inrush current, minimum	1 mA
Sq. Total current	$42.25 \text{ A}^2 (I_{TH}^2 = I_1^2 + I_2^2 + I_3^2 + I_4^2)$
Interrupting rating (ohmic load) max.	67 W (24 V DC, $\tau = 0 \text{ ms}$)
Interrupting rating (ohmic load) max.	36 W (48 V DC, $\tau = 0 \text{ ms}$)
Interrupting rating (ohmic load) max.	43 MW (110 V DC, $\tau = 0 \text{ ms}$)
Interrupting rating (ohmic load) max.	68 MW (220 V DC, $\tau = 0 \text{ ms}$)
Switching capacity min.	1 mW
Output fuse	6 A gL

General

Relay type	Electromechanically forcibly guided, dust-proof relay.
Mechanical service life	> 50 x 10 ⁶ cycles
Mounting position	Any
Assembly instructions	In rows with zero spacing
Category according to EN 13849-1	4
Category according to EN 13849-1	4
Stop category	0
Name	Air and creepage distances between the power circuits
Standards/regulations	EN 60664/VDE 0110
Rated surge voltage / insulation	4 kV / Basic isolation, (safe isolation, reinforced insulation and 6 kV between input circuit and enabling current paths.)
Rated insulation voltage	250 V
Pollution degree	2
Surge voltage category	III
Interfaces	Encoder

Connection data

Conductor cross section solid min.	0.2 mm ²
Conductor cross section solid max.	2.5 mm ²
Conductor cross section stranded min.	0.2 mm ²
Conductor cross section stranded max.	2.5 mm ²

Safety device - PSR-SCP- 24DC/RSM4/4X1 - 2981538

Technical data

Connection data

Conductor cross section AWG/kcmil min.	24
Conductor cross section AWG/kcmil max	12
Stripping length	7 mm
Screw thread	M3
Connection method	Screw connection

classifications

eCl@ss

eCl@ss 4.0	27371102
eCl@ss 4.1	27371102
eCl@ss 5.0	27371901
eCl@ss 5.1	27371901
eCl@ss 6.0	27371819
eCl@ss 7.0	27371819
eCl@ss 8.0	27371819

ETIM

ETIM 2.0	EC001449
ETIM 3.0	EC001449
ETIM 4.0	EC001449
ETIM 5.0	EC001449

UNSPSC

UNSPSC 6.01	30211901
UNSPSC 7.0901	39121501
UNSPSC 11	39121501
UNSPSC 12.01	39121501
UNSPSC 13.2	39121501

approvals

UL Listed / GOST / cUL Listed / Functional Safety / UL Listed / GOST / cUL Listed / Functional Safety / cULus Listed /

Approval details

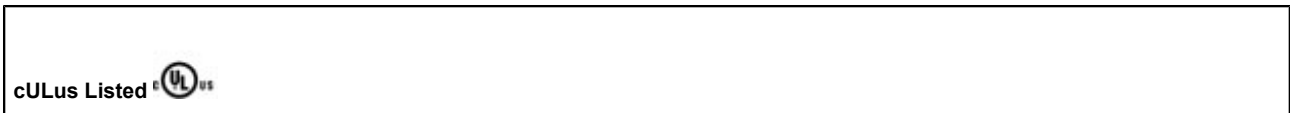
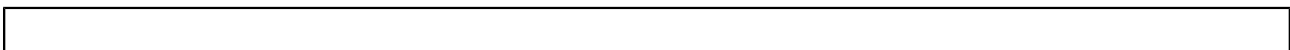
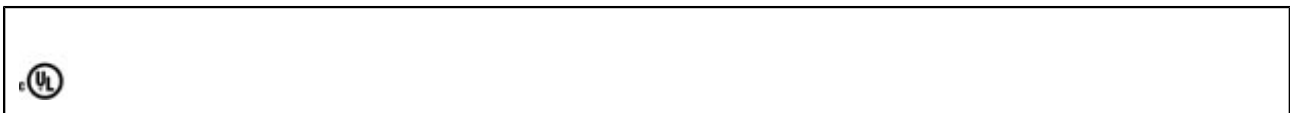
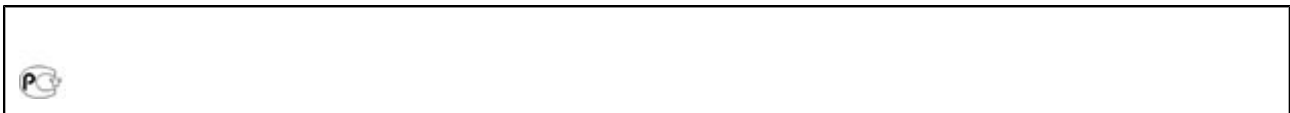
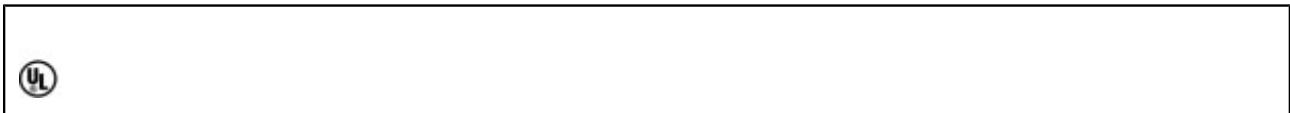


Safety device - PSR-SCP- 24DC/RSM4/4X1 - 2981538

approvals



Functional Safety



accessories

Configuration and diagnostics

PSR-CONF-WIN1.0 - 2981554



Adapter cable

CABLE-15/8/250/RSM/AC120E - 2901030



Safety device - PSR-SCP- 24DC/RSM4/4X1 - 2981538

accessories

CABLE-25/8/250/RSM/E-SIMO611D - 2901746



CABLE-15/8/250/RSM/INDEL - 2902338



CABLE- 9/8/250/RSM/ELAU - 2902984



CABLE-15/8/100/RSM/BM - 2904108



CABLE-25/8/250/RSM/SIMO611D - 2981583



Safety device - PSR-SCP- 24DC/RSM4/4X1 - 2981538

accessories

CABLE-25/8/250/RSM/ARADDEX - 2981596



CABLE-15/8/250/RSM/SIMO611D - 2981606



CABLE-15/8/250/RSM/MHD/G - 2981619



CABLE-15/8/250/RSM/SIN800 - 2981622



CABLE-15/8/250/RSM/FM-NC - 2981635



CABLE-15/8/250/RSM/DKC - 2981648



Safety device - PSR-SCP- 24DC/RSM4/4X1 - 2981538

accessories

CABLE-15/8/250/RSM/AMK - 2981651



CABLE-15/8/250/RSM/SEW-X15 - 2981664



CABLE-15/8/250/RSM/PD - 2981758



CABLE- 9/8/250/RSM/LENZE - 2981826



CABLE-15/8/250/RSM/KINETIX - 2986698



Safety device - PSR-SCP- 24DC/RSM4/4X1 - 2981538

accessories

CABLE-15/8/250/RSM/IHDUNI-SP - 2986973



CABLE-15/8/250/RSM/INDRADYN-2 - 2986986



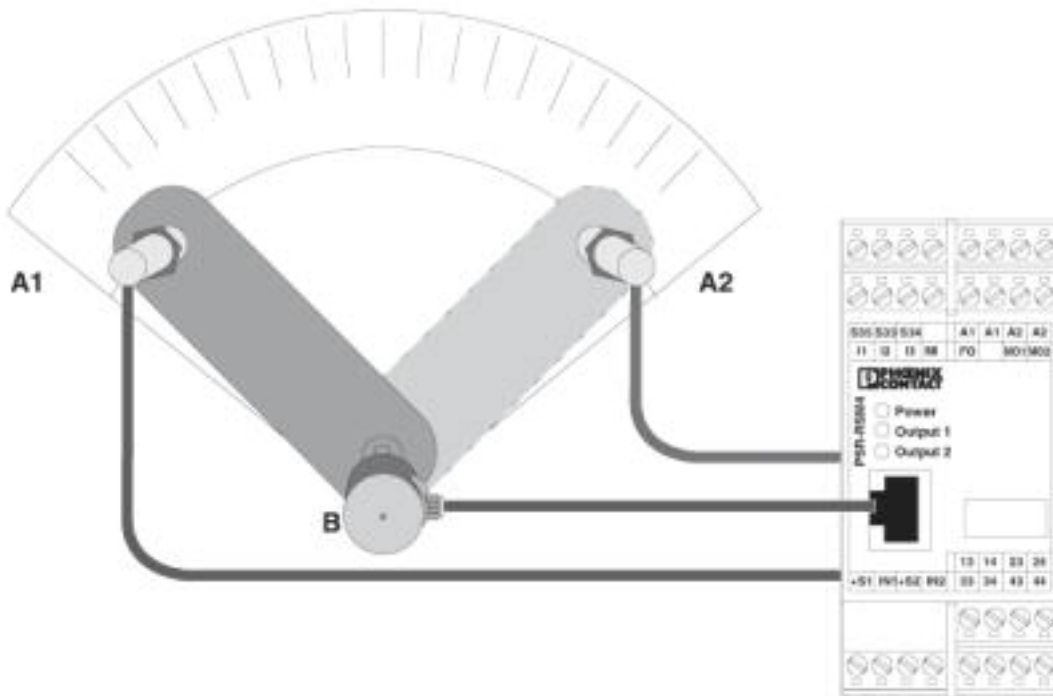
CABLE-20/8/250/RSM/FANUC - 2986999



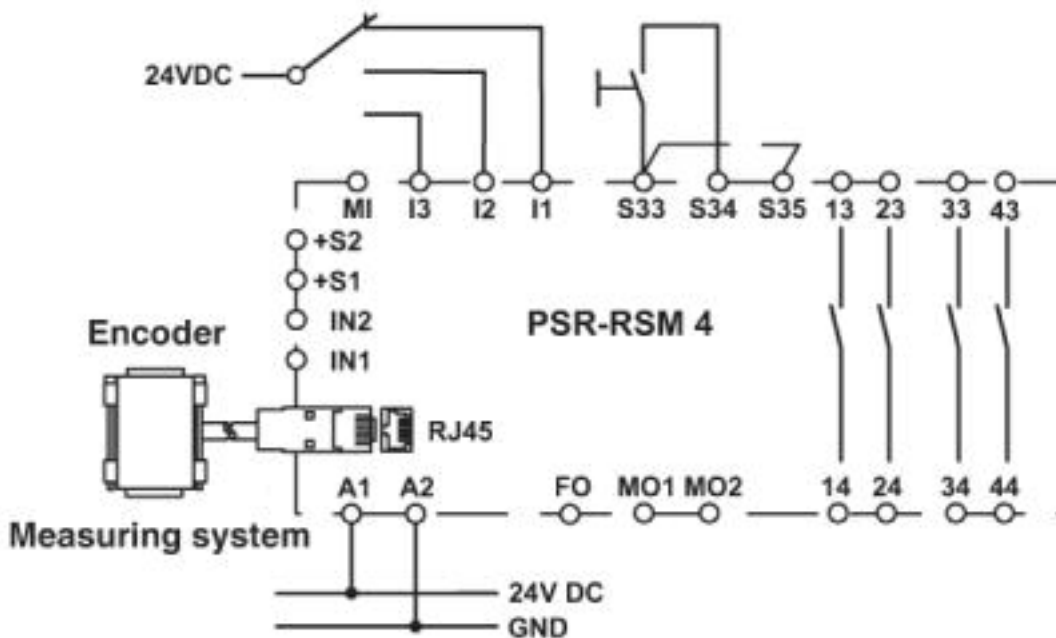
Drawings

Safety device - PSR-SCP- 24DC/RSM4/4X1 - 2981538

Application drawing

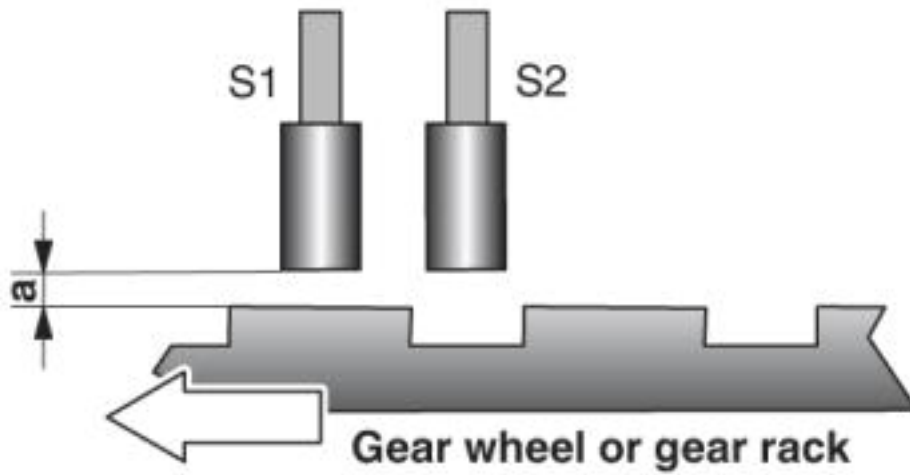


Diagram

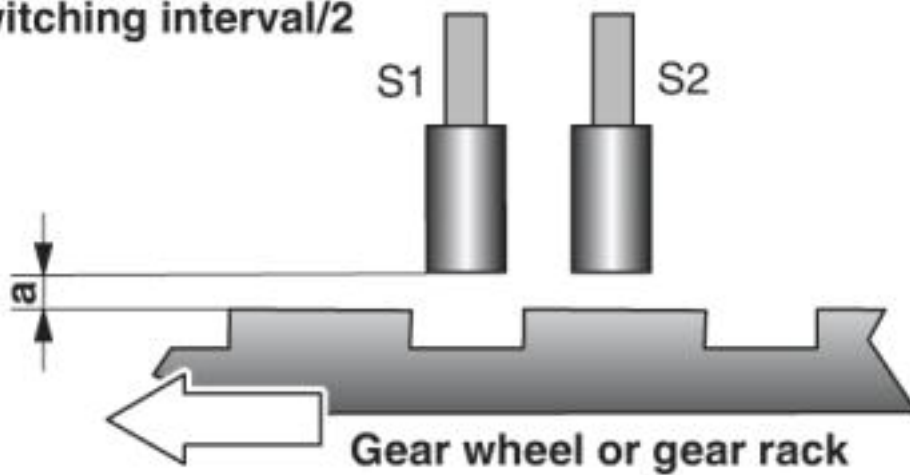


Safety device - PSR-SCP- 24DC/RSM4/4X1 - 2981538

Diagram

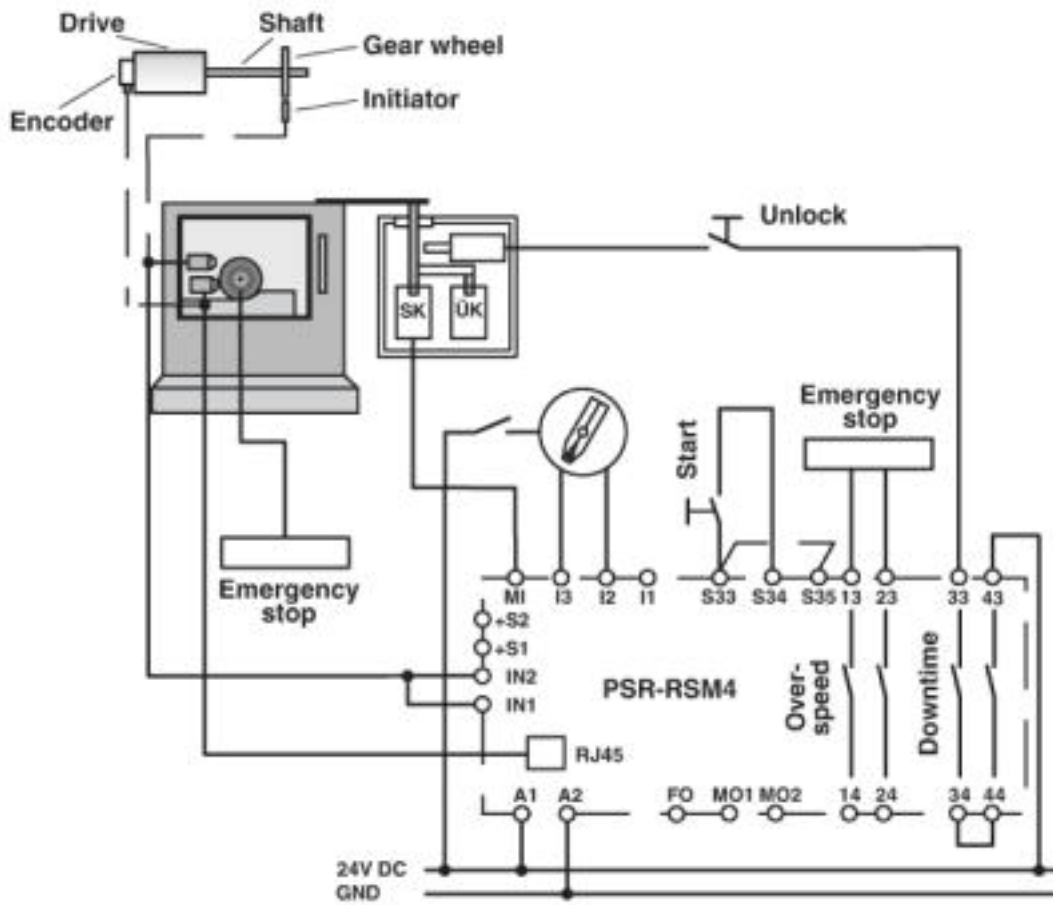


a = Switching interval/2



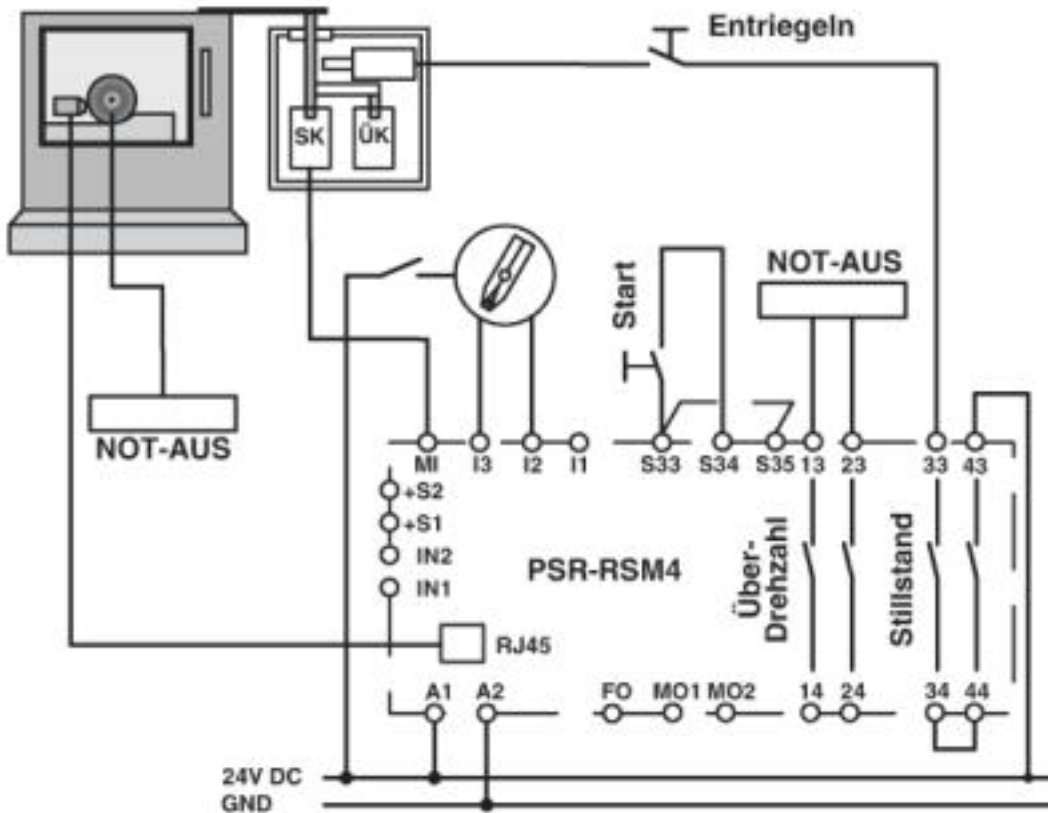
Safety device - PSR-SCP- 24DC/RSM4/4X1 - 2981538

Diagram



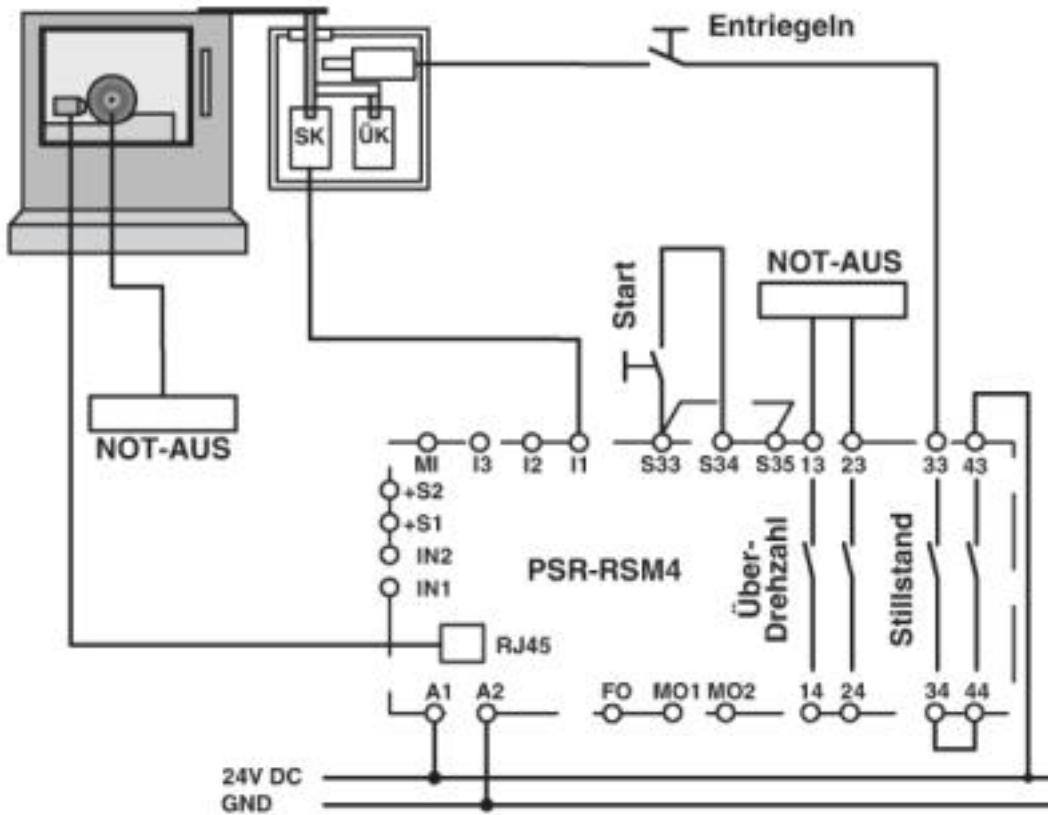
Safety device - PSR-SCP- 24DC/RSM4/4X1 - 2981538

Diagram



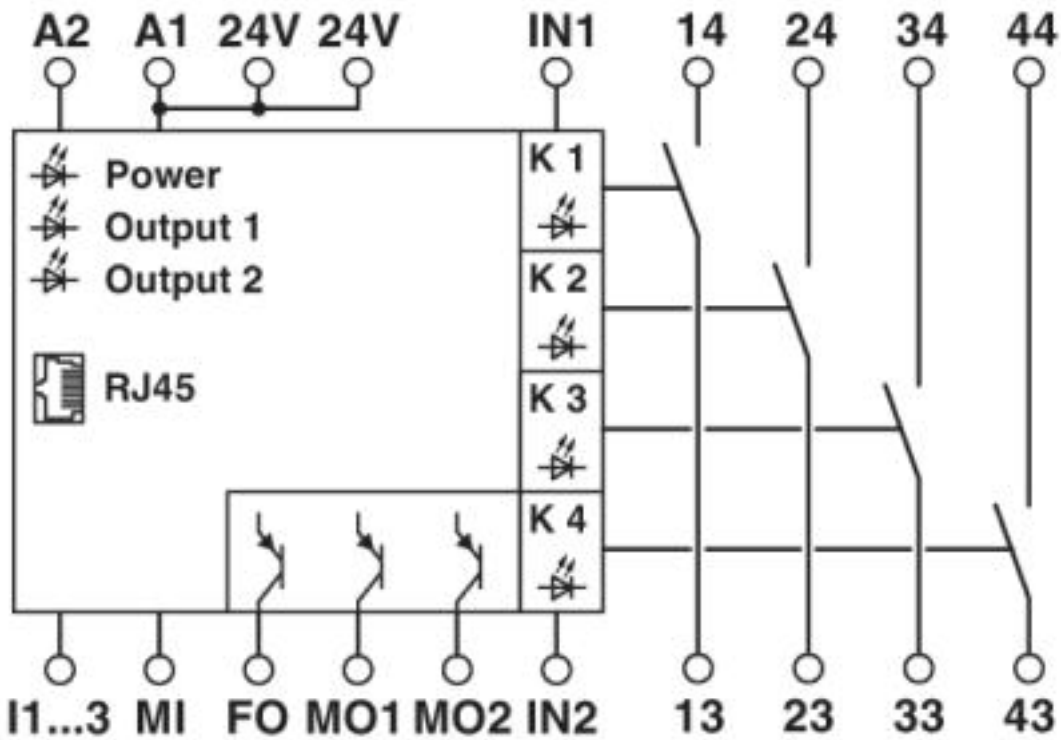
Safety device - PSR-SCP- 24DC/RSM4/4X1 - 2981538

Diagram



Safety device - PSR-SCP- 24DC/RSM4/4X1 - 2981538

Circuit diagram



Circuit diagram

