

Data sheet

Article Description

Line intermediate switch **IP44** Type 9002

16 (4) A, 250 Vac, 2-pole, on-off switch,
for devices of protection class I + II,

splash water protection

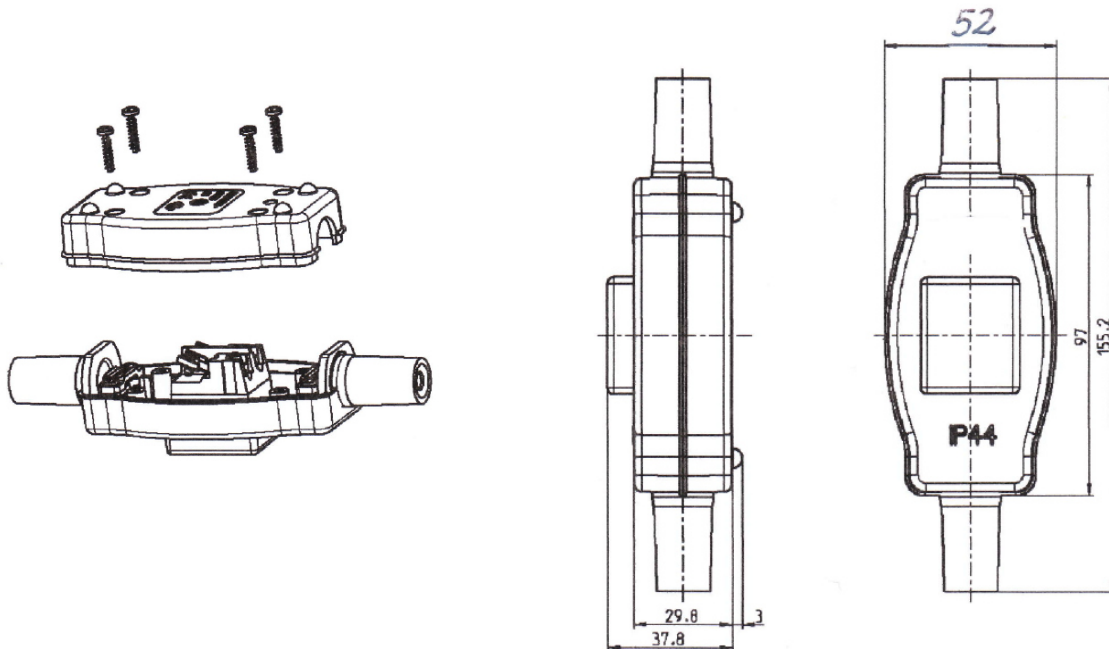
LWH: 97 x 52 x 30 mm

screwed strain relief,
for round cable,
screw terminals,
with cable anti-bend protection,
operating temperature -40° bis 85° C
suitable for cable cross section up to 2,5 mm²

Article Picture



Perfect for light strings, electrical lines etc. for outdoor area



<i>inter BÄR-item no.</i>	<i>colour</i>	<i>version</i>
9002-004...	black/red	illuminated

Technical modifications reserved!
Works at 230 V-mains must only be carried out by a specialist!