

Monitoring relay - EMD-SL-PTC - 2866093

Please be informed that the data shown in this PDF Document is generated from our Online Catalog. Please find the complete data in the user's documentation. Our General Terms of Use for Downloads are valid (<http://download.phoenixcontact.com>)



Monitoring relay for temperature monitoring of the motor winding (maximum 6 PTC) with error memory for temperature sensors in acc. with DIN 44081, test function with integrated test/reset button, supply voltage can be selected using power module, 2 PDTs

Product Description

Increasingly higher demands are being placed on safety and system availability – across all sectors. Processes are becoming more and more complex, not only in mechanical engineering and the chemical industry, but also in plant and automation technology. Demands on power engineering are also increasing constantly. Error-free and therefore cost-effective operation can only be achieved through continuous monitoring of important network and system parameters. Electronic monitoring relays in the EMD series are available for a wide range of monitoring tasks to avoid the consequences of errors or to keep them within limits. The operating states are indicated using colored LEDs, errors that may occur can be sent to a control system via a floating contact or can shut down a part of the system. Some device versions are equipped with startup and response delays in order to briefly tolerate measured values outside the set monitoring range.

Product Features

- Test function with integrated test/reset button
- Short-circuit and open-circuit monitoring
- Variable supply voltage range



Key commercial data

package_quantity	1
GTIN	4017918952716

Technical data

Dimensions

Width	22.5 mm
Height	90 mm
Depth	113 mm

Ambient conditions

Ambient temperature (operation)	-25 °C ... 55 °C
Ambient temperature (operation)	-25 °C ... 40 °C (corresponds to UL 508)
Ambient temperature (storage/transport)	-25 °C ... 70 °C

Input data

Maximum temperature coefficient	< 0.1 %/K
Function	Winding temperature monitoring
Basic accuracy	± 10 % (of scale end value)

Monitoring relay - EMD-SL-PTC - 2866093

Technical data

Input data

Repeat accuracy	≤ 2 %
Total cold resistance	< 1.5 kΩ
Response value	≥ 3.6 kΩ (Relay drops out)
Release value	≤ 1.8 kΩ (Relay picks up)
Short-circuit detection	< 20 Ω
Voltage influence	≤ 1 %
Recovery time	500 ms

Contact side

Contact type	2 floating PDT contacts
Maximum switching voltage	250 V AC (in acc. with IEC 60664-1)
Interrupting rating (ohmic load) max.	750 VA (3 A/250 V AC, module aligned, ≤ 5 mm spacing)
Interrupting rating (ohmic load) max.	1250 VA (5 A/250 V AC, module not aligned, ≥ 5 mm spacing)
Output fuse	5 A (fast-blow)

Power supply

Supply voltage range	24 V AC ... 230 V AC (see Power modules)
Supply voltage range	24 V DC (see Power modules)

General

Mechanical service life	Approx. 2×10^7 cycles
Operating mode	100% operating factor
Mounting position	Any
Assembly instructions	on standard DIN rail NS 35 in accordance with EN 60715
Electromagnetic compatibility	Conformance with EMC Directive 2004/108/EC
Surge voltage category	III, basic insulation (as per EN 50178)
Housing insulation material	Polyamide PA, self-extinguishing
Color	green
Rated insulation voltage	300 V (According to EN 50178)
Conformance	CE-compliant
UL, USA / Canada	UL/C-UL listed UL 508

Connection data

Conductor cross section stranded min.	0.25 mm ²
Conductor cross section stranded max.	2.5 mm ²
Conductor cross section solid min.	0.5 mm ²
Conductor cross section solid max.	2.5 mm ²
Conductor cross section AWG/kcmil min.	20
Conductor cross section AWG/kcmil max	14
Stripping length	8 mm
Connection method	Screw connection

Monitoring relay - EMD-SL-PTC - 2866093

classifications

eCl@ss

eCl@ss 4.0	27371105
eCl@ss 4.1	27371105
eCl@ss 5.0	27371810
eCl@ss 5.1	27371810
eCl@ss 6.0	27371810
eCl@ss 7.0	27371810
eCl@ss 8.0	27371810

ETIM

ETIM 2.0	EC001446
ETIM 3.0	EC001446
ETIM 4.0	EC001446
ETIM 5.0	EC001446

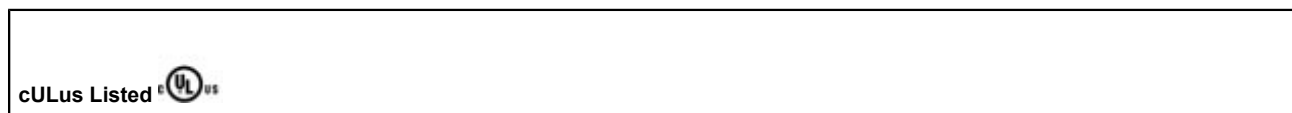
UNSPSC

UNSPSC 6.01	30211916
UNSPSC 7.0901	39121535
UNSPSC 11	39121535
UNSPSC 12.01	39121535
UNSPSC 13.2	39121535

approvals

UL Listed / cUL Listed / cULus Listed /

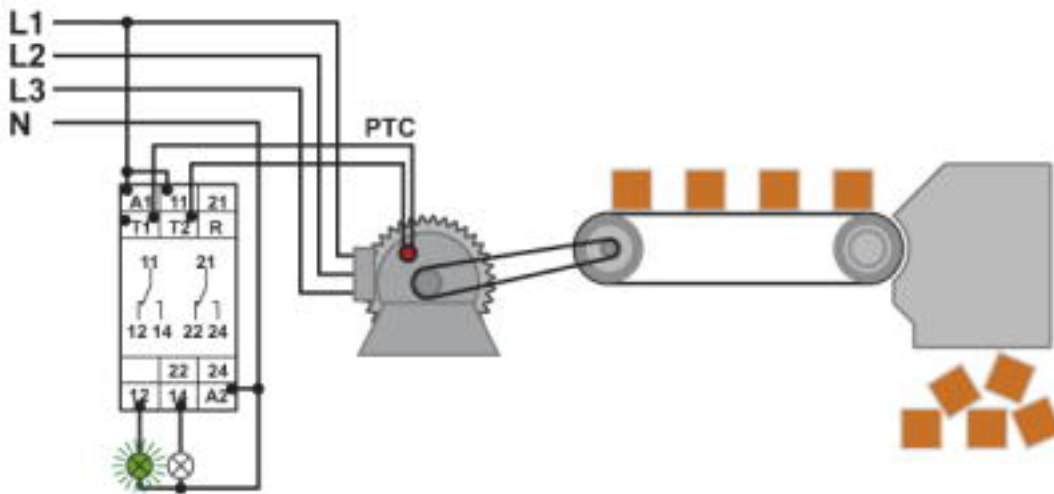
Approval details



Drawings

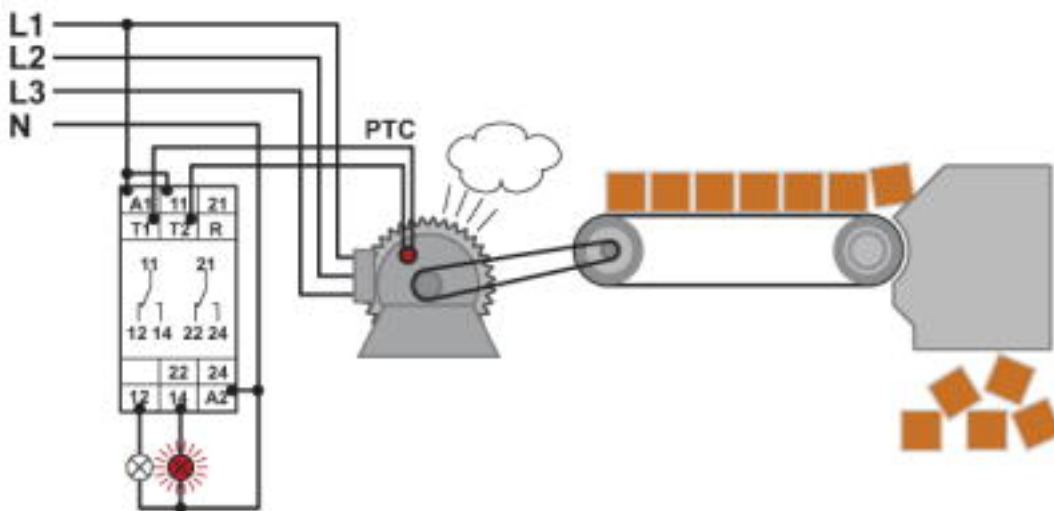
Monitoring relay - EMD-SL-PTC - 2866093

Application drawing



Monitoring of motor winding temperatures

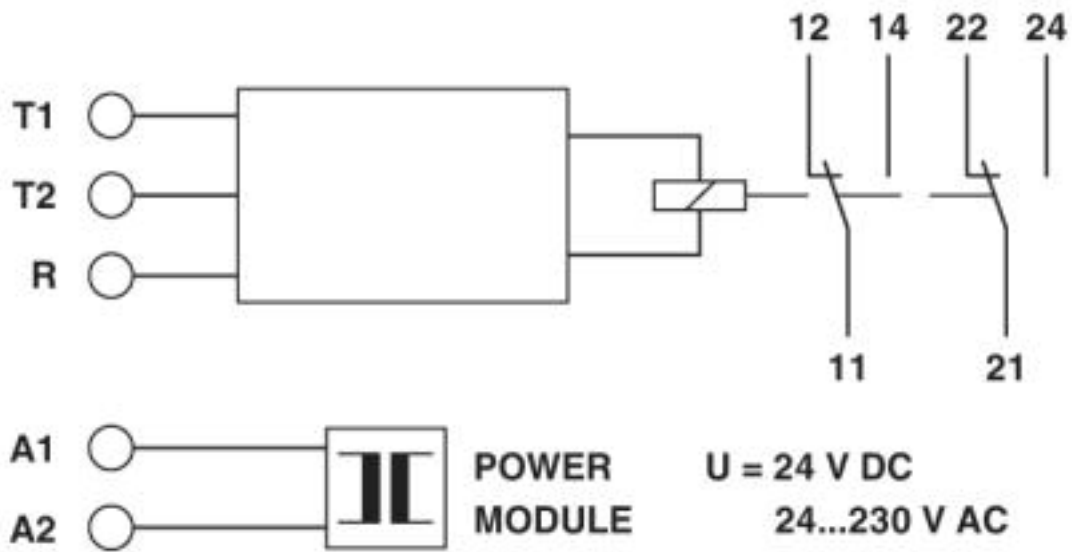
Application drawing



Shutdown and message in case of overload

Monitoring relay - EMD-SL-PTC - 2866093

Block diagram



© Phoenix Contact 2013 - all rights reserved
<http://www.phoenixcontact.com>