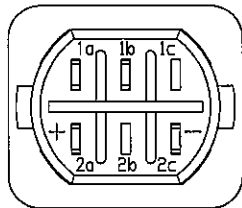
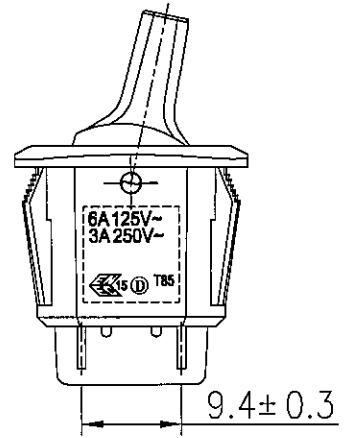
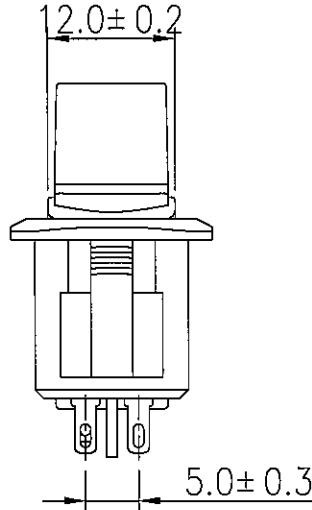
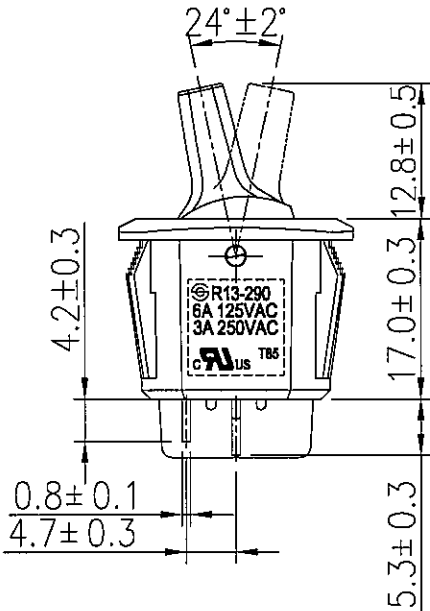
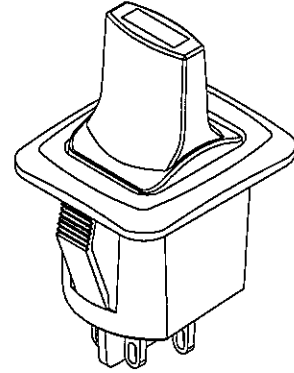
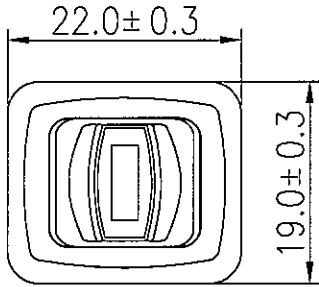


Rating	6A 125V AC 3A 250V AC		Mounting Hole	Circuit Diagram
Contact Resistance	50m ohm Max.			
Insulation Resistance	DC 500V 100M ohm Min.			
Dielectric Strength	AC 1000V 1 minute			
Operation Temperature	-25°C~85°C			
Switch Function	4P SPST ON-OFF With LED	Thickness=0.75~3.0mm		



***MATERIAL:**

Frame: Black, Nylon 66 (94-V2)

Actuator: Black, Nylon 66 (94-V2)

Terminals: Silver plated, Copper alloy

LED: Green

						△	
						△	
Date		Name		Description			NO
Drawn	Checked	Approved	SCI BOM NO.	Model Name		Rocker Switch	
曹盈芳	蘇榮仁	王偉山	Customer No.	Model No.		R13-290AL3-05-BBG	Rev.
02/14/11	2/14/11	2/14/11	Unit	mm	Shin Chin Industrial Co., Ltd.		0