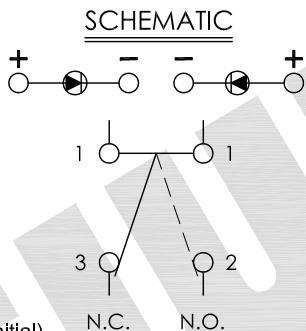
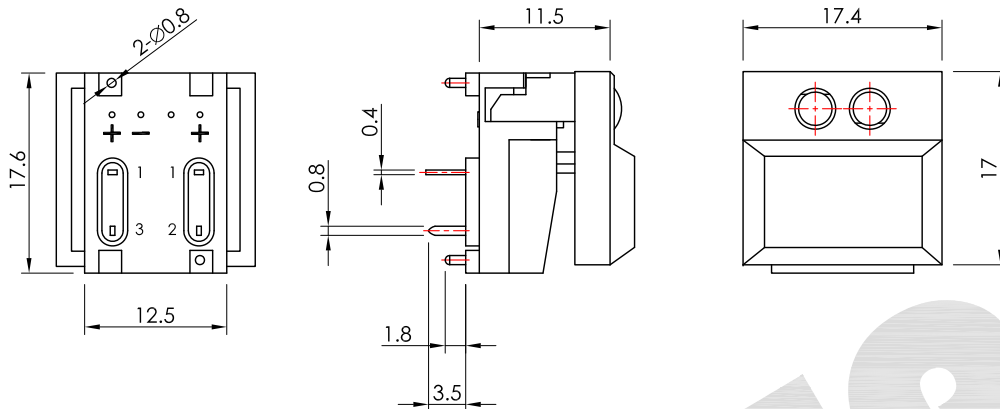


\*開關產品未經SWITRONIC同意，請勿拆解，否則無法負品質及安全責任。

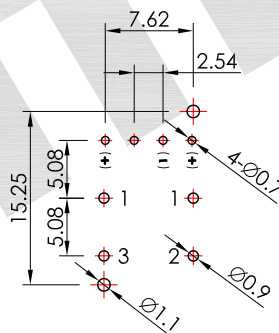
Please do not decompose the switch without any permission from SWITRONIC, otherwise the quality and safety responsibility could not be guaranteed.

\*本圖面若與目錄之規格尺寸不符，以本圖面規格尺寸為主。

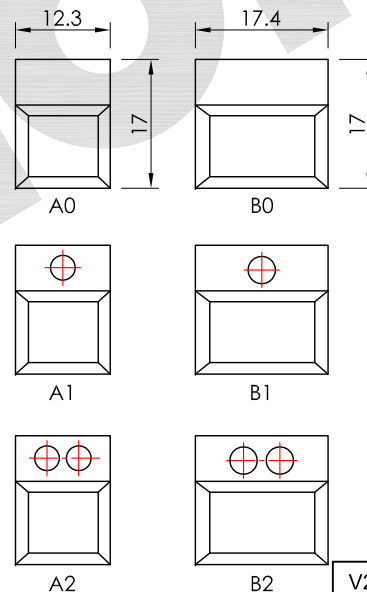
Below is our main specification if different from catalog.



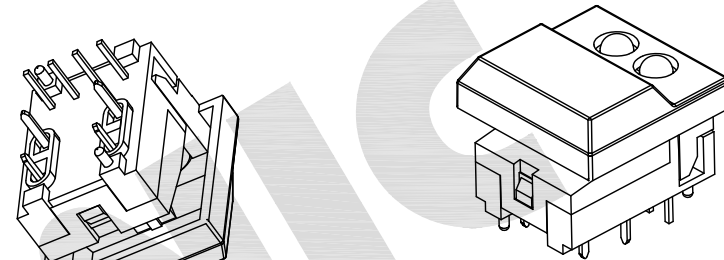
**P.C.B. LAYOUT**



**CAP STYLES**



RoHS compliant



LED COLOR LEFT		LED COLOR RIGHT	
□	W/O LED	□	W/O LED
1	Red	1	Red
2	Yellow	2	Yellow
3	Green	3	Green

MP86XXXXH-G

CAP STYLE		CAP COLOR	
A0	W/O LED	R	Red
A1	1 LED	G	Gray
A2	2 LED	B	Black
B0	W/O LED	W	White
B1	1 LED	Y	Yellow
B2	2 LED	O	Orange
		BU	Blue
		GN	Green

RoHS compliant



**SPECIFICATION**

- Rating:** 12mA 24V DC.
- Circuit:** SPDT.
- Travel:** 2.0±0.4mm.
- Function:** OFF-(ON).
- Contact resistance:** 100mΩ Max (Initial).
- Insulation resistance:** 100MΩ Min.
- Withstand voltage:** 250V AC for 1 minute.
- Operating temperature:** +10°C ~ +60°C.
- Operating force:** 170±50g.
- Minimum load:** 10mA 3.3V DC.(reference only)
- Operating life:** 50,000 Cycles Min.
- Soldering specifications:** 250°C Max. for 3 sec.
- Soldering time:** 1 time only.
- Note1:** Unwashable, don't be immersed by epoxy and organic solvent.
- Note2:** Please check the actual size, do not scale the drawing page.

**MATERIAL**

- Base:** Nylon66, UL-94V-2 Min.
- Cap:** ABS.
- Terminal:** Phosphor bronze, Gold plated.

V2.3	△		
V2.2	無	改版	2015.05.15
V2.1	無	改版	2009.08.27
V2.0	無	新繪製	2009.08.17
版本 VER.	符號 SYMBOL	修改內容 ALTERATION	更新日期 DATE

產品 PRODUCT	Pushbutton Switch		型號 MODEL NO.	MP86A0BUH-G
製圖 DRAWN BY	核圖 CHECKED BY	主管 APPROVED BY	單位 UNIT	mm
Peter Kuo	Chuck Young	Margaret Lee	比例 SCALE	3 : 2
			公差 TOLERANCE	.X=±0.3mm, .XX=±0.2mm

**SWITRONIC**  
INDUSTRIAL CORP.  
**Switches**



一綺電子企業股份有限公司

總公司：110 台北市信義路四段415號13樓之3  
13F-3 NO. 415, SEC. 4, HSIN YI ROAD, TAIPEI, TAIWAN  
TEL : 886-2-27290229 (Rep.) FAX : 886-2-27582086  
URL : http://www.switronic.com.tw  
E-MAIL : switches@ms36.hinet.net