

Datasheet

Item no. 709402/ 709414/ 709426/ 709438/ 709451/ 709463/ 709475/
709488/ 709502/ 709514/ 709526

V1_0717_01_en

Dip Switches

Product Overview

- ⊙ Using excellent heat and chemical resistance engineering plastic.
- ⊙ Using standard gold-plated contact points ensure reliability and longer life of the switch.
- ⊙ Have the advantage of self-cleaning when the switch in ON-OFF state.
- ⊙ Using widely in manual programproducts, like data processing, communications, remote controls and burglar alarmsystem.

Soldering Information

- ⊙ Soldering iron under 30W and under 350°C for 3 seconds max or 270°C for 5 seconds max.
- ⊙ Wave crest soldering:
240°C within 20seconds max, .Keep all actuators in "off" position during soldering and cleaning process.

Specifications

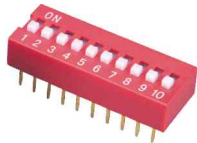
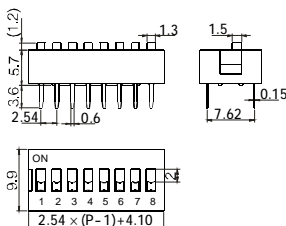
- ⊙ Contact capacity
 - OFF: 25mA, 24VDC
 - ON: 100mA, 50VDC
- ⊙ Contact resistance
 - Initial: 50mΩ 24VDC /100mA
 - After life test: 100mΩ typical, 24VDC /100mA
 - Insulation resistance: $\geq 100M\Omega$, 500VDC
 - Dielectric strength: 500VDC RMS min.
 - Operating force: 1000g Max
 - Operation Life expectancy
- ⊙ Mechanical: 3000 operations
 - Electrical: 2000 operations
 - Temperature range operating/storage: -25°C~70°C

Datasheet

Item no. 709402/ 709414/ 709426/ 709438/ 709451/ 709463/ 709475/
709488/ 709502/ 709514/ 709526

V1_0717_01_en

Dip Switches

	Slide Type
Extended Type	
Shape & Dimensions	

Note: The above P = 2 ; If the P=1 the length is 3.75mm

- 709402 : 1 Position, Standard, Extended Type, SlideType, Not switched 25 mA/24 V/DC, switched 100 mA/50 Vdc, Off/On
- 709414 : 2 Position, Standard, Extended Type, SlideType, Not switched 25 mA/24 V/DC, switched 100 mA/50 Vdc, Off/On
- 709426 : 3 Position, Standard, Extended Type, SlideType, Not switched 25 mA/24 V/DC, switched 100 mA/50 Vdc, Off/On
- 709438 : 4 Position, Standard, Extended Type, SlideType, Not switched 25 mA/24 V/DC, switched 100 mA/50 Vdc, Off/On,
- 709451 : 5 Position, Standard, Extended Type, SlideType, Not switched 25 mA/24 V/DC, switched 100 mA/50 Vdc, Off/On
- 709463 : 6 Position, Standard, Extended Type, SlideType, Not switched 25 mA/24 V/DC, switched 100 mA/50 Vdc, Off/On
- 709475 : 7 Position, Standard, Extended Type, SlideType, Not switched 25 mA/24 V/DC, switched 100 mA/50 Vdc, Off/On
- 709488 : 8 Position, Standard, Extended Type, SlideType, Not switched 25 mA/24 V/DC, switched 100 mA/50 Vdc, Off/On
- 709502 : 9 Position, Standard, Extended Type, SlideType, Not switched 25 mA/24 V/DC, switched 100 mA/50 Vdc, Off/On
- 709514 : 10 Position, Standard, Extended Type, SlideType, Not switched 25 mA/24 V/DC, switched 100 mA/50 Vdc, Off/On
- 709526 : 12 Position, Standard, Extended Type, SlideType, Not switched 25 mA/24 V/DC, switched 100 mA/50 Vdc, Off/On