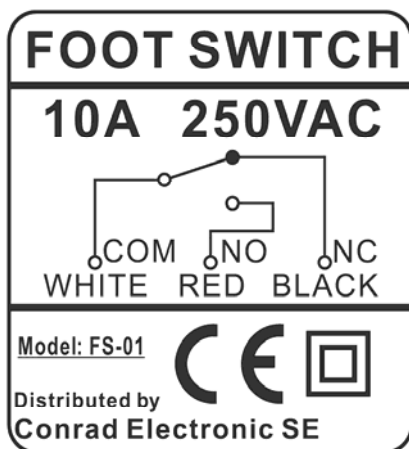


Fußschalter FS-01 10A 250VAC

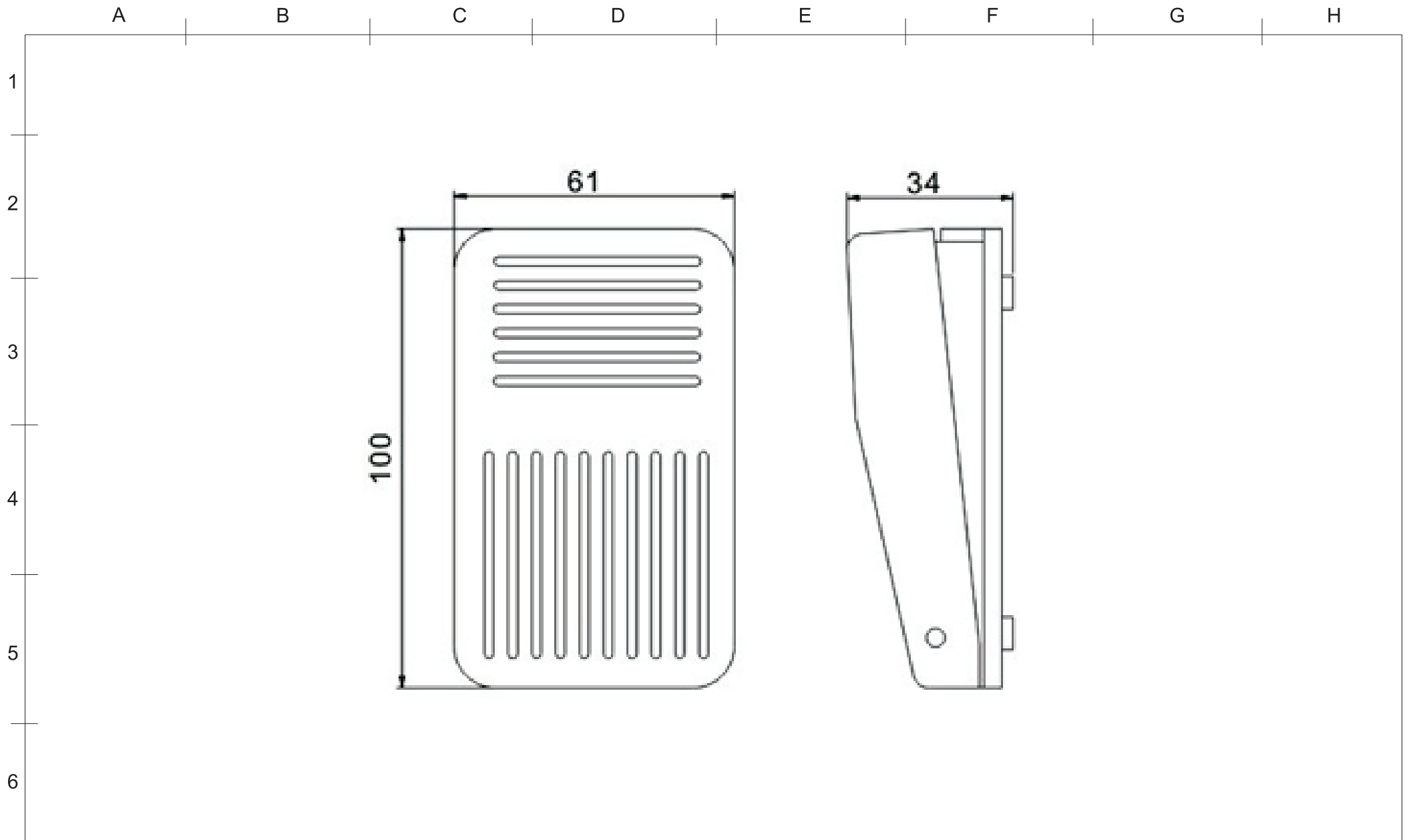


Foot Switch, FS-01

- rating: 10A 250VAC
- weight: 102g
- dimensions: 100 x 61 x 34mm
- operating temp.: -20°C to 65°C
- cable length: 1 Meter
- plastic housing



B/N:709801



DATE	REVISION	APPROVAL BY	DIMENSION	mm ±0.3	Foot Switch
			DRAW BY		FS-01
			APPROVAL BY		
			DATE	12-03-2011	