

Extension module - PSR-SPP- 24UC/URM4/5X1/2X2 - 2964005

Please be informed that the data shown in this PDF Document is generated from our Online Catalog. Please find the complete data in the user's documentation. Our General Terms of Use for Downloads are valid (<http://download.phoenixcontact.com>)



Single-channel or two-channel contact extension, 5 N/O contacts, 1 N/C contact, 1 confirmation current path, together with basic unit up to Cat. 4 PL e according to EN ISO 13849 safe isolation, plug-in terminal blocks, width: 35 mm

The figure shows a version with a screw connection

Product Features

- Five enabling, one signaling, and one confirmation current path
- Up to Cat. 4/PL e according to ISO 13849-1, SILCL 3 according to IEC 62061, SIL 3 according to IEC 61508
- Single and two-channel control



Key commercial data

package_quantity	1
GTIN	4017918904739

Technical data

Dimensions

Width	35 mm
Height	112 mm
Depth	114.5 mm

Ambient conditions

Ambient temperature (operation)	-20 °C ... 55 °C
Ambient temperature (storage/transport)	-40 °C ... 70 °C

Input data

Nominal input voltage U_N	24 V AC/DC
Input voltage range in reference to U_N	0.8 ... 1.1
Typical input current at U_N	47 mA (per channel)
Typical response time	20 ms
Typical release time	20 ms
Concurrence input 1/2	Infinite

Output data

Contact type	5 enabling current paths
Contact type	1 signaling current path

Extension module - PSR-SPP- 24UC/URM4/5X1/2X2 - 2964005

Technical data

Output data

Contact type	1 confirmation current path
Contact material	AgSnO ₂ , + 0.2 μm Au
Maximum switching voltage	250 V AC/DC
Minimum switching voltage	15 V AC/DC
Limiting continuous current	6 A (N/O contact)
Limiting continuous current	3 A (N/C contact 11/12)
Maximum inrush current	6 A
Maximum inrush current	3 A (N/C contact 11/12)
Inrush current, minimum	25 mA
Sq. Total current	$72 \text{ A}^2 (I_{TH}^2 = I_1^2 + I_2^2 + \dots + I_5^2)$
Interrupting rating (ohmic load) max.	144 W (24 V DC, τ = 0 ms, N/C contact 11/12: 72 W)
Interrupting rating (ohmic load) max.	288 W (48 V DC, τ = 0 ms, N/C contact 11/12: 144 W)
Interrupting rating (ohmic load) max.	110 W (110 V DC, τ = 0 ms)
Interrupting rating (ohmic load) max.	88 W (220 V DC, τ = 0 ms)
Interrupting rating (ohmic load) max.	1500 VA (250 V AC, τ = 0 ms, N/C contact 11/12: 750 VA)
Maximum interrupting rating (inductive load)	42 W (24 V DC, τ = 40 ms)
Maximum interrupting rating (inductive load)	42 W (48 V DC, τ = 40 ms)
Maximum interrupting rating (inductive load)	42 W (110 V DC, τ = 40 ms)
Maximum interrupting rating (inductive load)	42 W (220 V DC, τ = 40 ms)
Switching capacity min.	0.4 W
Output fuse	6 A fast blow
Output fuse	C6 (24 V AC/DC) automatic device

General

Relay type	Electromechanically forcibly guided, dust-proof relay.
Mechanical service life	Approx. 10 ⁷ cycles
Mounting position	Any
Category according to EN 13849-1	4
Stop category	0
Name	Air and creepage distances between the power circuits
Standards/regulations	DIN EN 50178/VDE 0160
Rated surge voltage / insulation	4 kV / Basic isolation, (safe isolation, reinforced insulation and 6 kV between input circuit and enabling current paths(43/44, 53/54, 63/64, 71/72) and between 43/44, 53/54, 63/64, 71/72 themselves.)
Rated insulation voltage	250 V
Pollution degree	2
Surge voltage category	III

Connection data

Conductor cross section solid min.	0.2 mm ²
Conductor cross section solid max.	1.5 mm ²
Conductor cross section stranded min.	0.2 mm ²

Extension module - PSR-SPP- 24UC/URM4/5X1/2X2 - 2964005

Technical data

Connection data

Conductor cross section stranded max.	1.5 mm ²
Conductor cross section AWG/kcmil min.	24
Conductor cross section AWG/kcmil max	16
Stripping length	8 mm
Connection method	Spring-cage conn.

classifications

eCl@ss

eCl@ss 4.0	27371102
eCl@ss 4.1	27371102
eCl@ss 5.0	27371901
eCl@ss 5.1	27371901
eCl@ss 6.0	27371819
eCl@ss 7.0	27371819
eCl@ss 8.0	27371819

ETIM

ETIM 2.0	EC000196
ETIM 3.0	EC001449
ETIM 4.0	EC001449
ETIM 5.0	EC001449

UNSPSC

UNSPSC 6.01	30211901
UNSPSC 7.0901	39121501
UNSPSC 11	39121501
UNSPSC 12.01	39121501
UNSPSC 13.2	39121501

approvals

UL Listed / GOST / cUL Listed / cULus Listed / Functional Safety /

Approval details



Extension module - PSR-SPP- 24UC/URM4/5X1/2X2 - 2964005

approvals

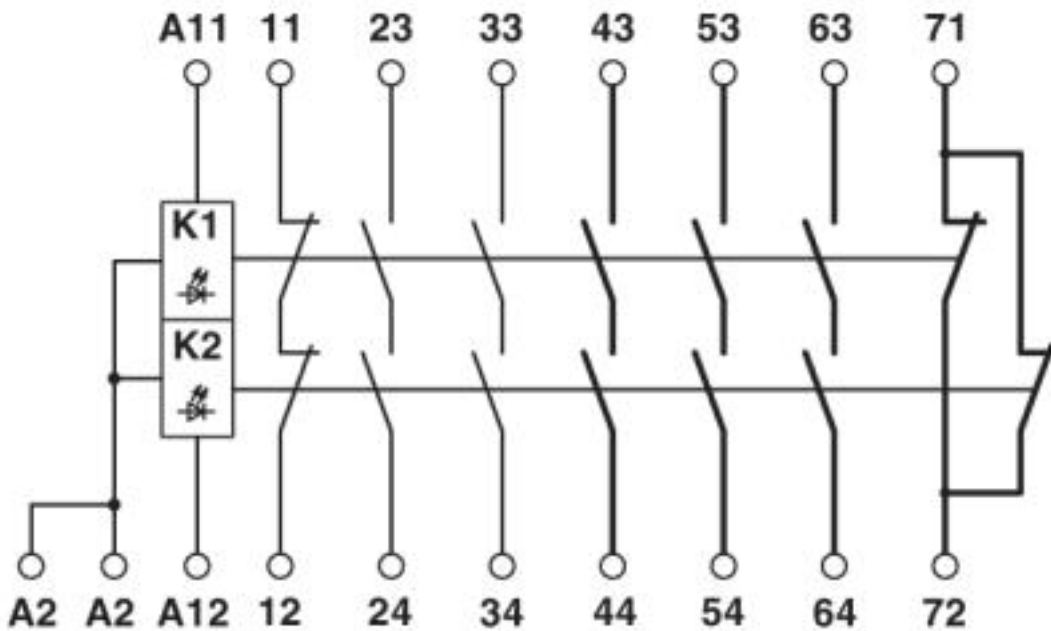
cUL Listed

cULus Listed

Functional Safety

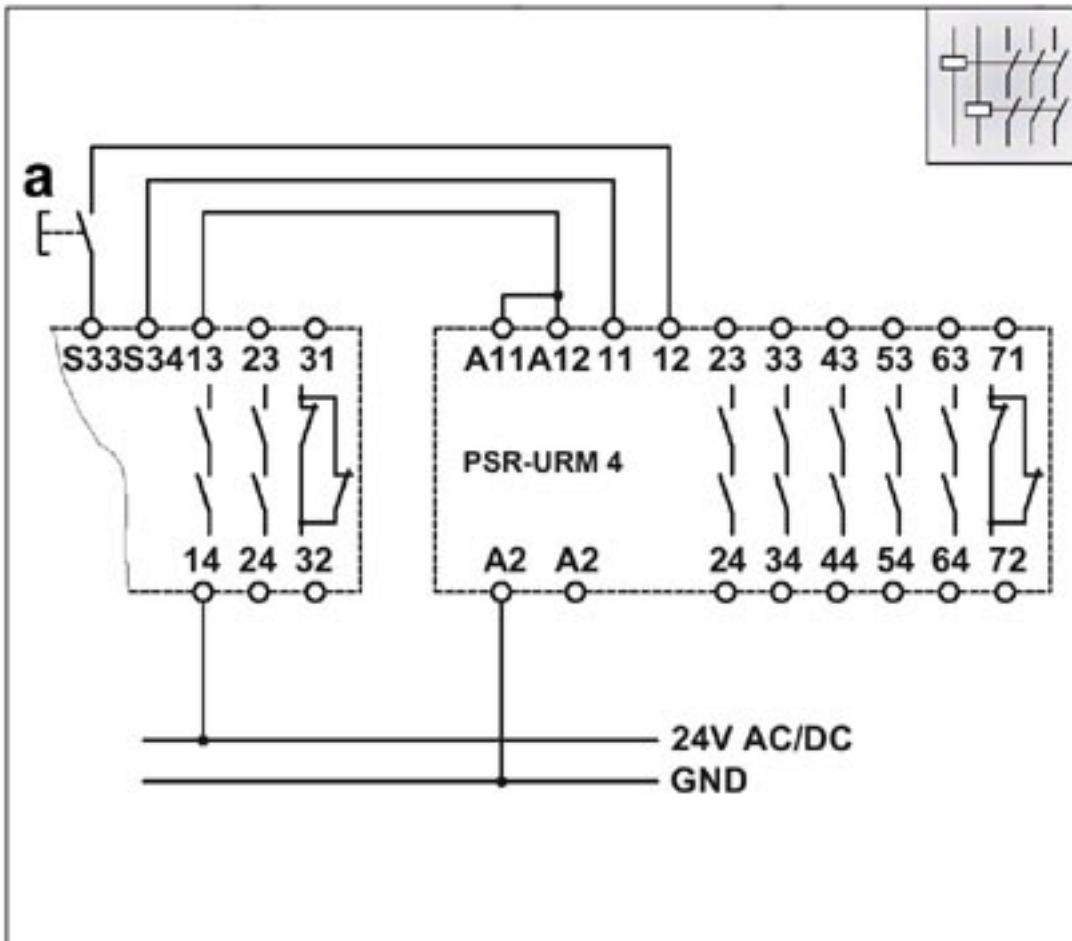
Drawings

Circuit diagram



Extension module - PSR-SPP- 24UC/URM4/5X1/2X2 - 2964005

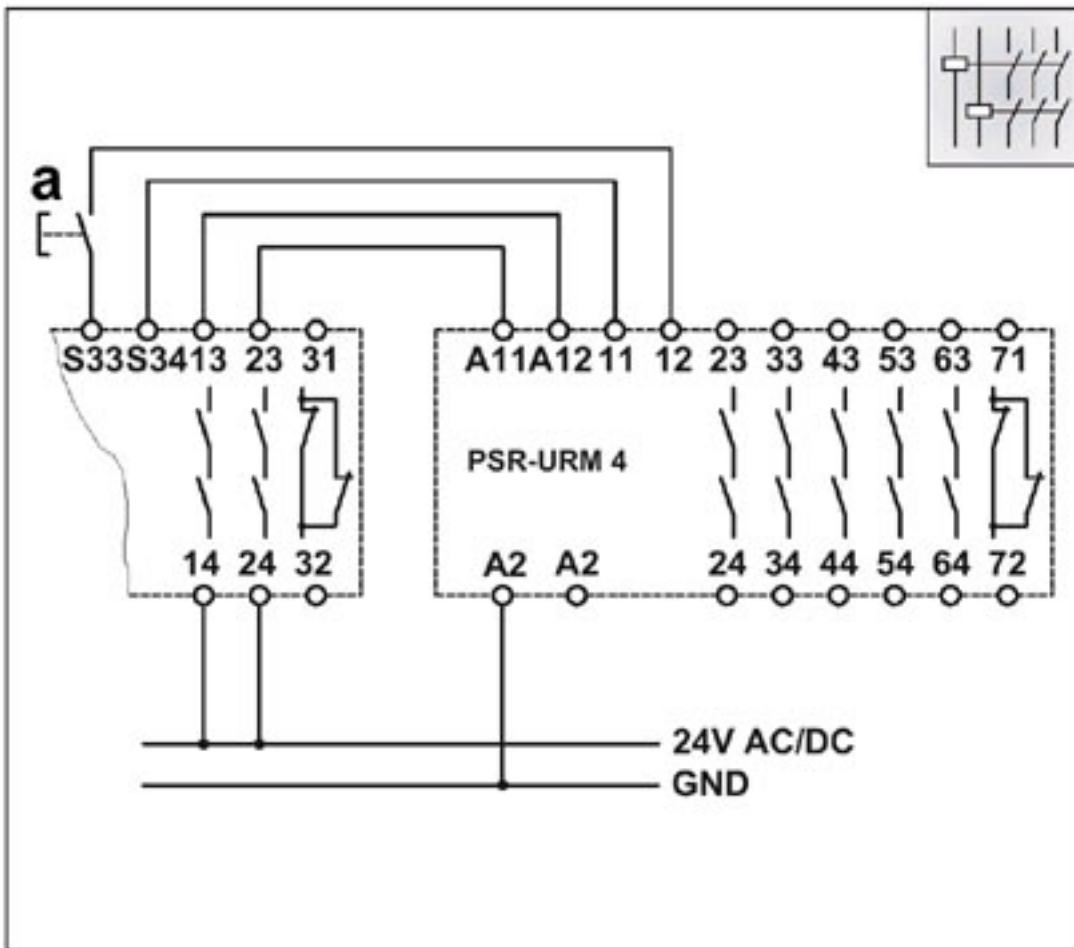
Circuit diagram



a = RESET One-channel connection with checkback path 11/12 integrated in the basic device, suitable up to safety category 4.

Extension module - PSR-SPP- 24UC/URM4/5X1/2X2 - 2964005

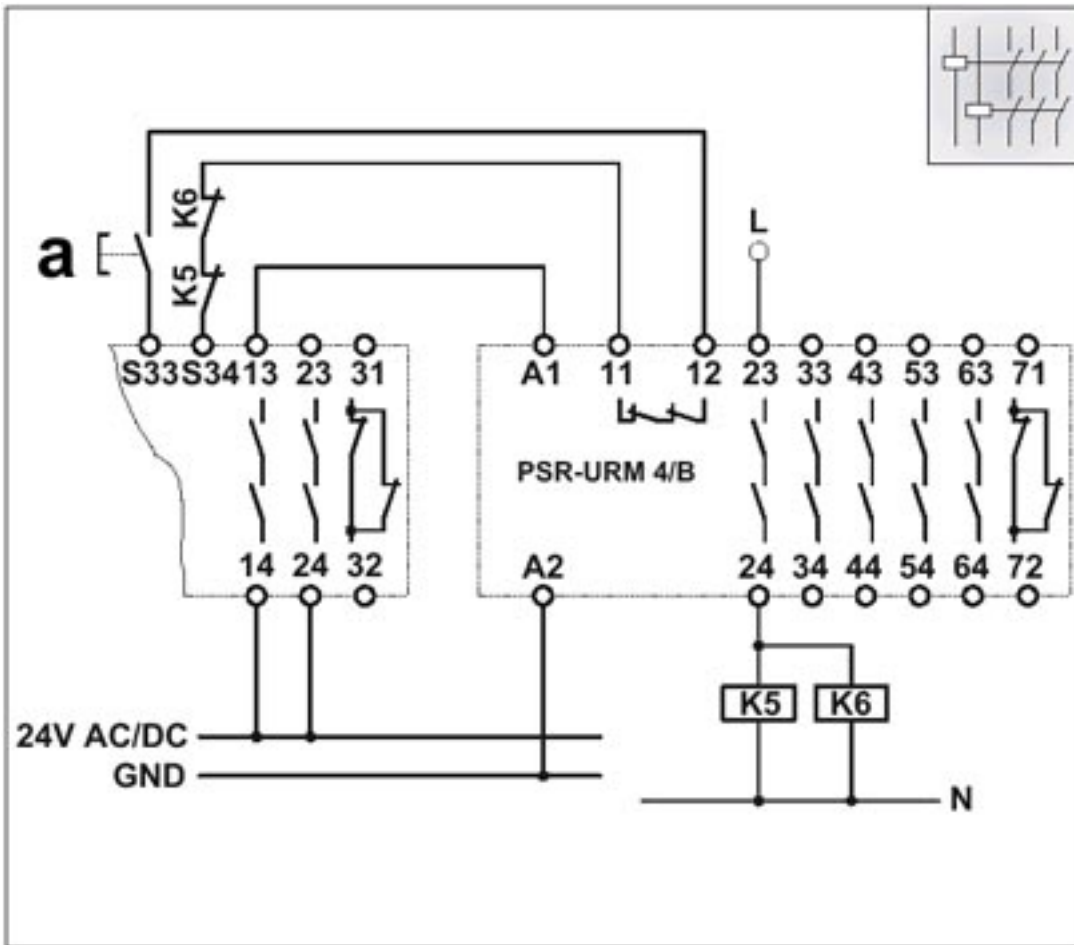
Circuit diagram



a = RESET two-channel connection with checkback path 11/12 integrated in the basic device, suitable up to safety category 4.

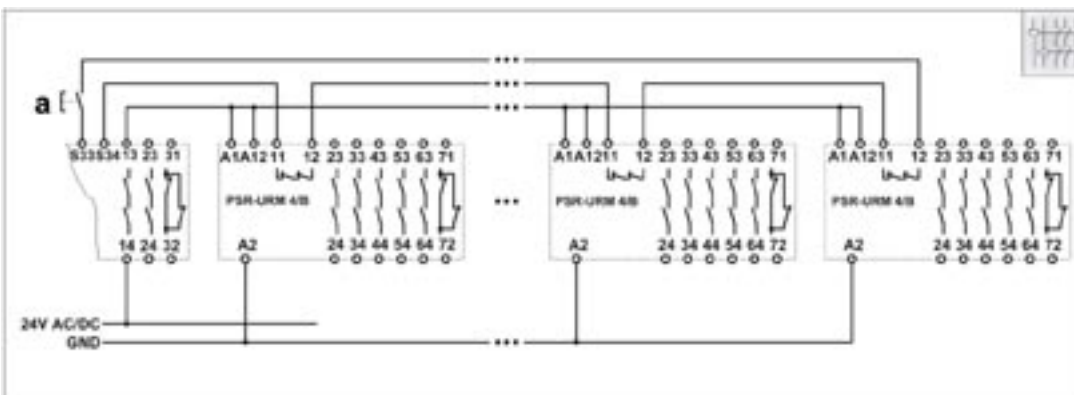
Extension module - PSR-SPP- 24UC/URM4/5X1/2X2 - 2964005

Circuit diagram



a = RESETOne-channel connection with checkback path 11/12 integrated in the basic device, suitable up to safety category 2/4. Depends on the basic device. With externally monitored contacts.

Circuit diagram

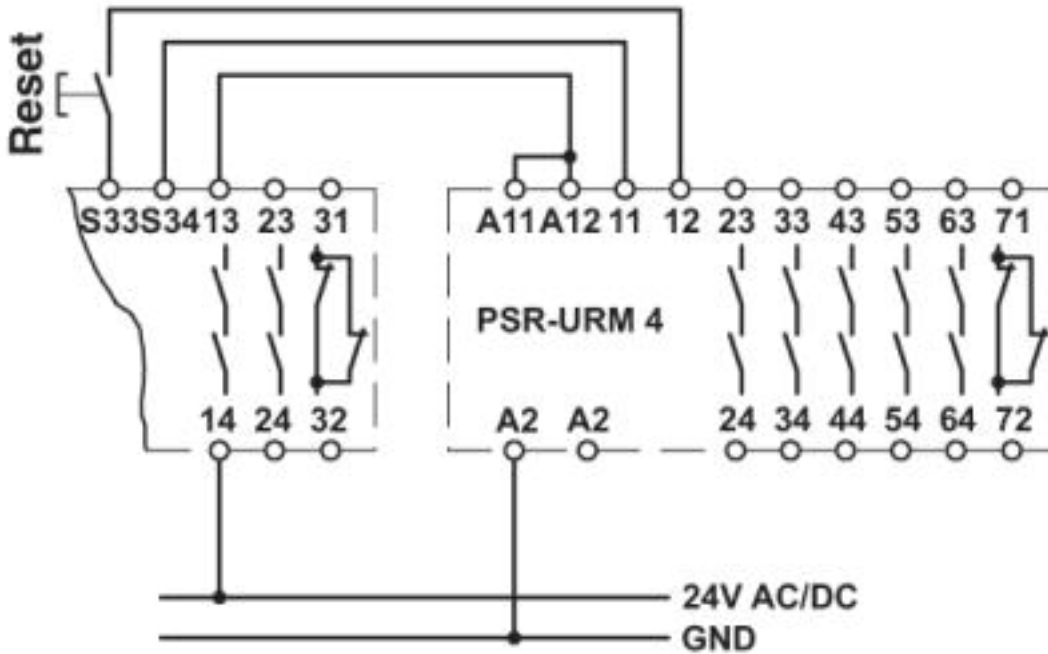


a = RESETOne-channel connection with checkback path 11/12 integrated in the basic device, suitable up to safety category

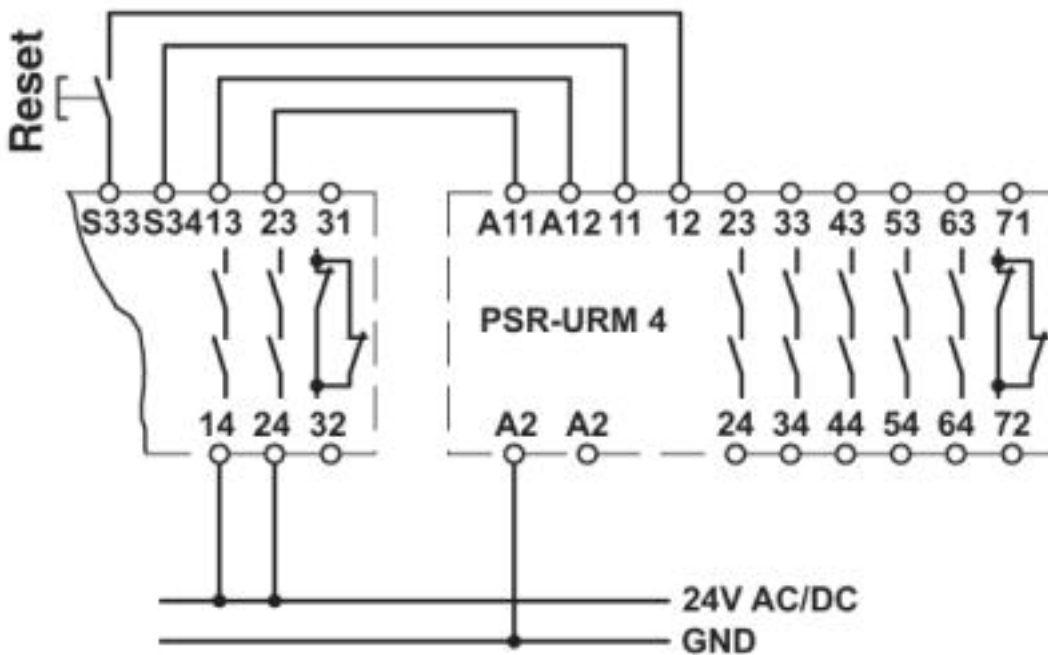
Extension module - PSR-SPP- 24UC/URM4/5X1/2X2 - 2964005

2/4. Depends on the basic device. Connection of several extension modules.

Circuit diagram

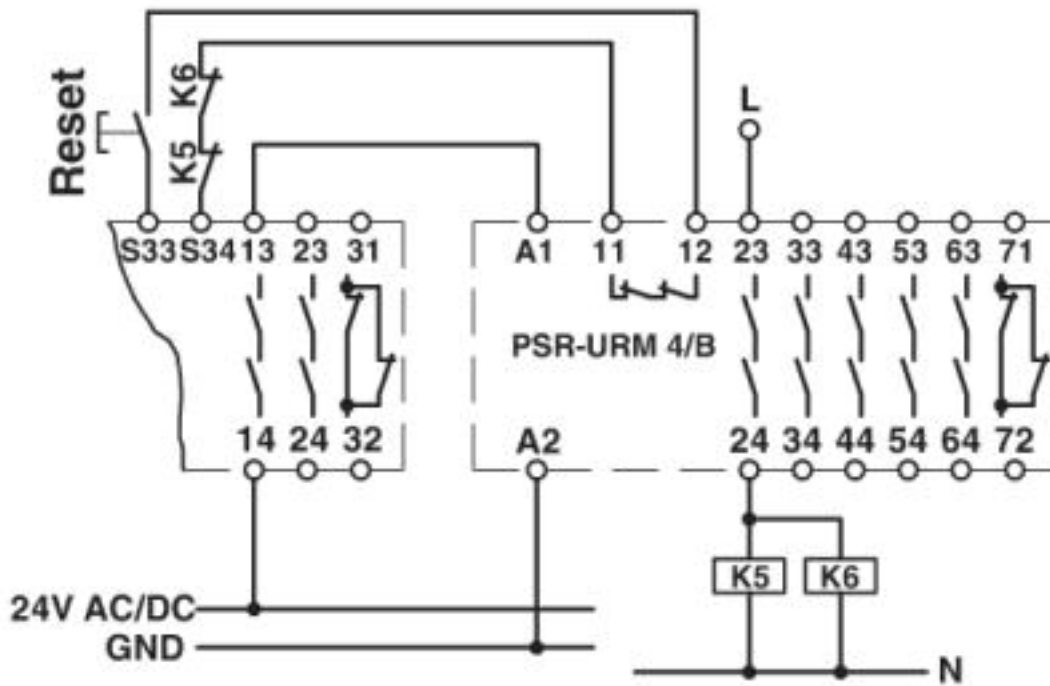


Circuit diagram



Extension module - PSR-SPP- 24UC/URM4/5X1/2X2 - 2964005

Circuit diagram



© Phoenix Contact 2013 - all rights reserved
<http://www.phoenixcontact.com>