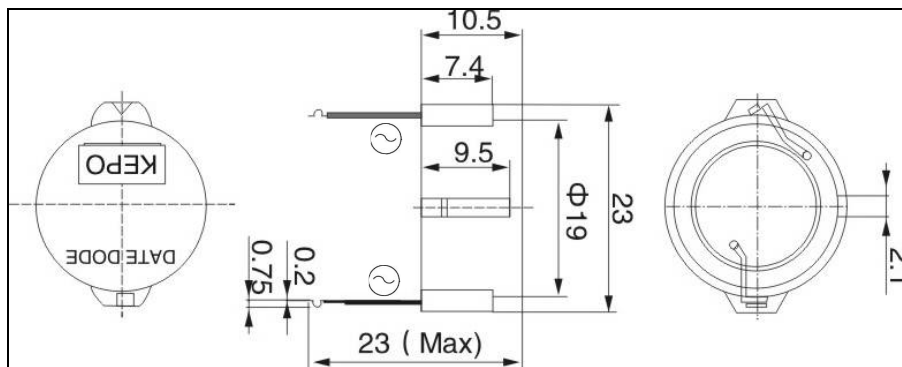


# Technical datasheet: KPT-G1910-K6239

## Specifications:

Operating Temperature	-20°C to +80°C
Storage Temperature	-30°C to +100°C
Rated Voltage	10Vp-p Square Wave
Max Allowable Voltage	30Vp-p Square Wave
Min SPL	90dB at 10Vp-p/2.7kHz/10cm
Capacitance at 100HZ	32000PF±30%PF
Weight	2.0g
Case Material/Color	PA/Black
Tone Nature	Continues

## Dimensions:



## Frequency Response:

