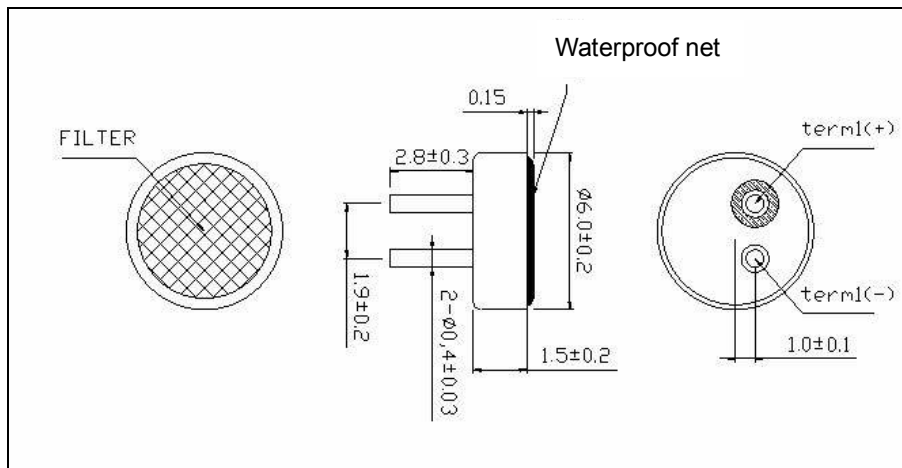


Technical datasheet: KPCM-G60H15PC33-44DB-1177

Specifications:

Standard operation voltage	2VDC
Max operating voltage	10VDC
Output impedance	2.2k Ω
Frequency	100 Hz to 10,000 Hz
Sensitivity	-44dB \pm 3dB
Sensitivity reduction	-3dB
Max. Current Consumption	0.5mA
Signal to noise ration	60dB
Directivity	Omni-directional

Dimensions:



Frequency Response:

