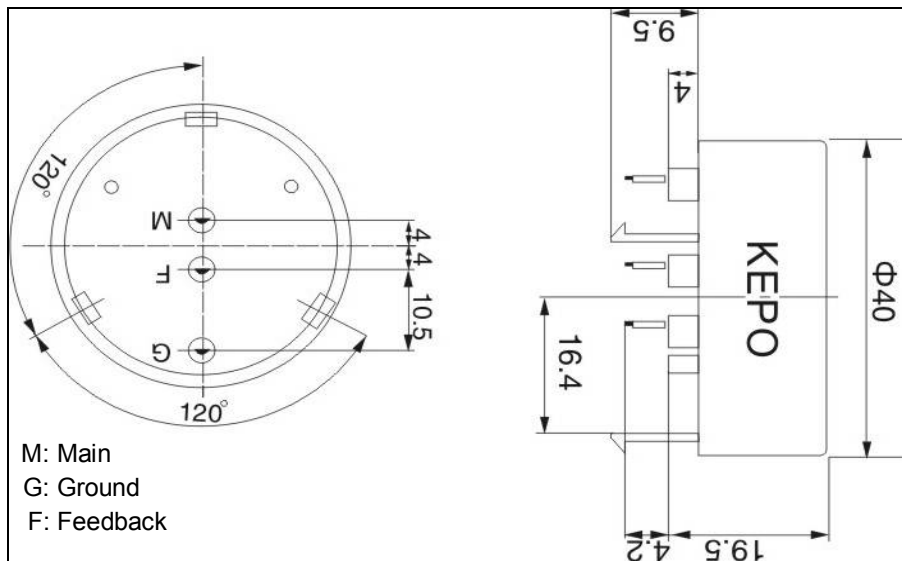


Technical datasheet: KPT3-G4010G-K6247

Specifications:

Operating Temperature	-20°C to +80°C
Storage Temperature	-30°C to +100°C
Rated Voltage	9VDC
Operating Voltage	3VDC to 15VDC
Max. Rated Current	16mA at 9VDC
Resonant Frequency	3.4kHz \pm 0.5kHz
Min SPL	90dB / 9VDC / 30cm
Weight	13g
Case Material/Color	PA/Black
Tone Nature	/

Dimensions:



Frequency Response:

