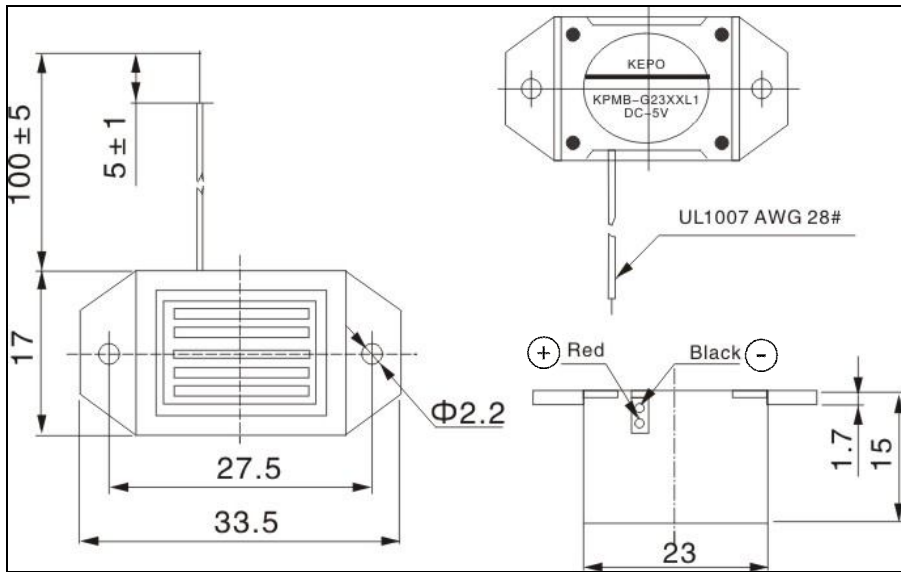


Technical datasheet: KPMB-G2324L1-K6349

Specifications:

Operating Temperature	-20°C to +60°C
Storage Temperature	-30°C to +70°C
Rated Voltage	24VDC
Operating Voltage	15VDC to 27VDC
Max. Rated Current	30mA
Resonant Frequency	400Hz±100Hz
Min SPL	80dB/ 24VDC/ 20cm
Response Time	50ms
Weight	10g
Case Material/Color	ABS/Black
Tone Nature	Continuous

Dimensions:



Frequency Response:

