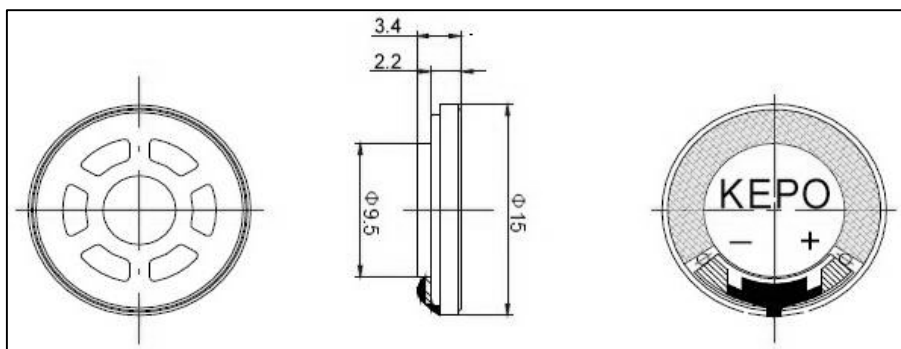


Technical datasheet: KP1530SP1-5828

Specifications:

Input power	Rated 0.5W / Max. 0.7W
Impedance	$8\Omega \pm 15\% \Omega$ (1Vrms at 1kHz)
Frequency Range	0Hz to 20kHz
Resonant Frequency	850Hz \pm 20% Hz
Distortion	<10% Max. at 2kHz/2Vrms
Out-diameter	$\varnothing 15\text{mm}$
Height	3.4 mm
Weight	1.5g
SPL	89dB \pm 3dB (0.1W/0.1M at 1kHz)
Buzz and Rattle	No audible buzzes, rattles when 2.0V sine wave signal is swept at frequency range.

Dimensions:



Frequency Response:

