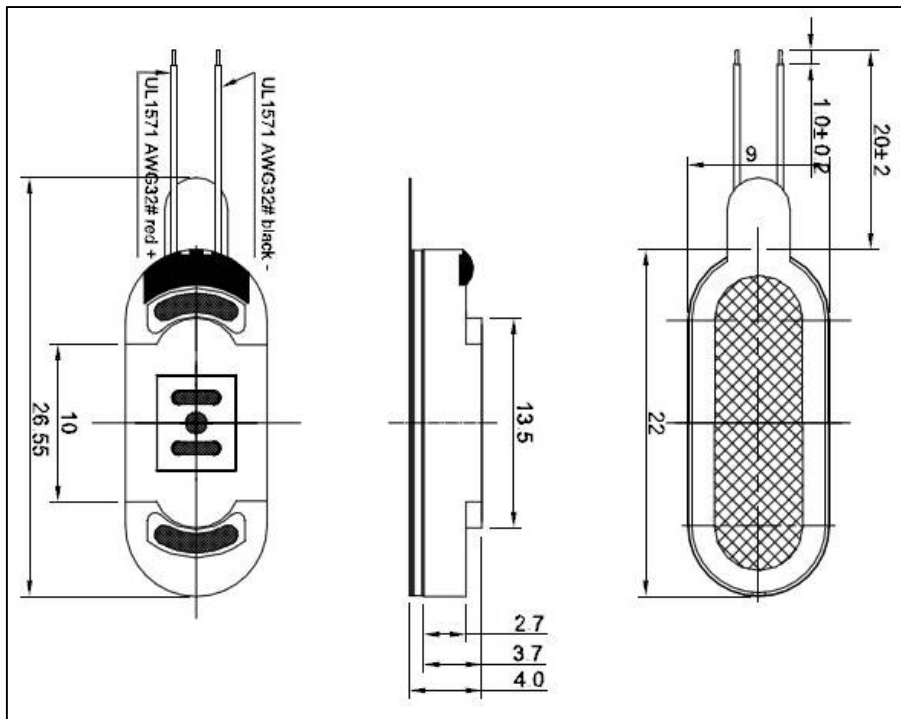


# Technical datasheet: KP2209SP1-5832

## Specifications:

Input power	Rated 0.5W / Max. 1.0W
Impedance	8Ω±15%Ω (1Vrms at 1.5kHz)
Frequency Range	0Hz to 20kHz
Resonant Frequency	900Hz±20%Hz
Distortion	<10% Max. at 2kHz/2Vrms
Out-diameter	22mmx9mm
Height	3.7mm
Weight	1.3g
SPL	87dB±3dB (0.1W/0.1M at 1kHz)
Buzz and Rattle	No audible buzzes, rattles when 2.0V sine wave signal is swept at frequency range.

## Dimensions:



## Frequency Response:

