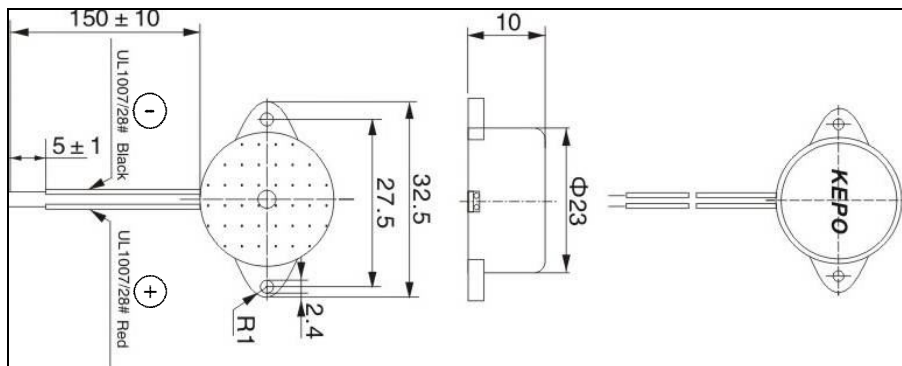


Technical datasheet: KPI-G2330E-K6262

Specifications:

Operating Temperature	-20°C to +60°C
Storage Temperature	-30°C to +70°C
Rated Voltage	12VDC
Operating Voltage	3VDC to 24VDC
Max. Rated Current	10mA at 12VDC
Resonant Frequency	3.7kHz \pm 0.5kHz
Min SPL	82dB / 12VDC / 30cm
Weight	3.5g
Case Material/Color	ABS/Black
Tone Nature	Continuous

Dimensions:



Frequency Response:

