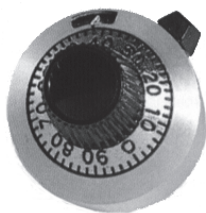


## 22mm Dia Fifteen Turn Dial



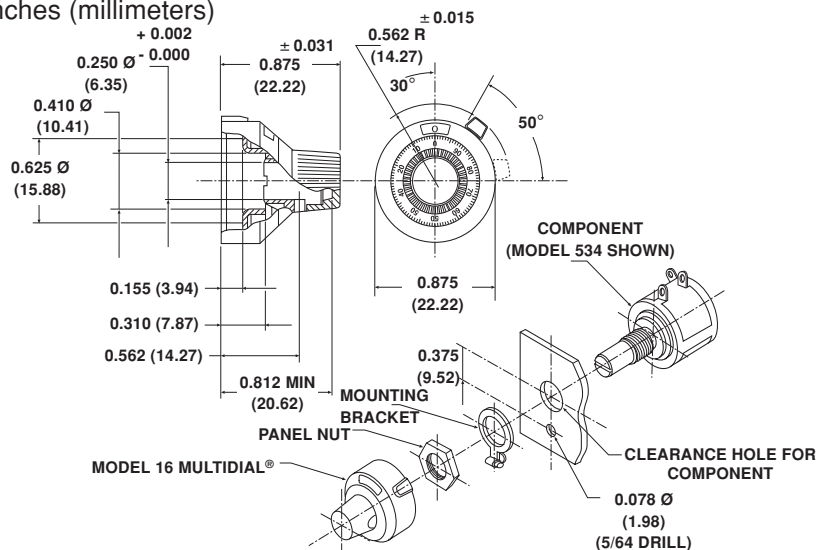
### FEATURES

- Round Vernier Scale
- 7/8" Dia.
- 1/4" or 1/8" Shaft Adapter
- Two Set Screws
- Satin Chrome Finish with Black or White Markings
- Black Chrome Finish with White Markings
- Brushed Chrome Finish with Black Markings

MECHANICAL SPECIFICATIONS	
PARAMETER	
Mounting	Install mounting bracket between panel and panel nut. Multidial shall mount directly to shaft with No. 2 - 56 spline socket set screw, located adjacent to No. 50 on graduated dial
Numeral Size	0.75 Inches H
Graduation Size:	
Numeral	0.45 Inches L (1.14cm)
Intermediate	0.030 Inches L (0.76cm)
Weight	0.7 oz maximum (19.84gm)

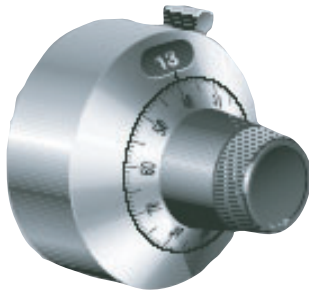
OPERATIONAL SPECIFICATIONS	
Readout and Operation	15 turns total The number in the window (0 thru 14) indicates completed number of turns of the drive sleeve. Graduated circular dial indicates the percent of the partial turn of the drive sleeve
Transfer Point	The number in the window shall change as graduated dial rotates between 94 and 0
Rotation	Readout shall increase with clockwise and decrease with counterclockwise rotation
Brake Lever	1st position (15" to 0 movement of brake lever) operates a high torque system for fine adjustment; 2nd position (15° additional movement of brake lever) actuates brake
Accuracy	Zero backlash between graduated dial and the drive sleeve

### DIMENSIONS in inches (millimeters)



ORDERING INFORMATION		
<b>16</b> MODEL	<b>1</b> SHAFT DIAMETER ACCOMMODATION AND FIXINGS	<b>11</b> FINISH
Example: 16 - 1 - 11	<ol style="list-style-type: none"> <li>1/4 Dia. shaft - 1 set screw</li> <li>1/4 Dia. shaft - 2 set screws</li> <li>1/8 Dia. shaft - 1 set screw</li> <li>1/8 Dia. shaft - 2 set screws</li> </ol>	<ol style="list-style-type: none"> <li>Satin chrome, black markings (standard)</li> <li>Black chrome, white markings</li> <li>Brushed chrome, black markings</li> <li>Satin chrome, white markings</li> </ol>

## Model 18 (PR2) 22.2 mm Diameter, 15 Turn Dial



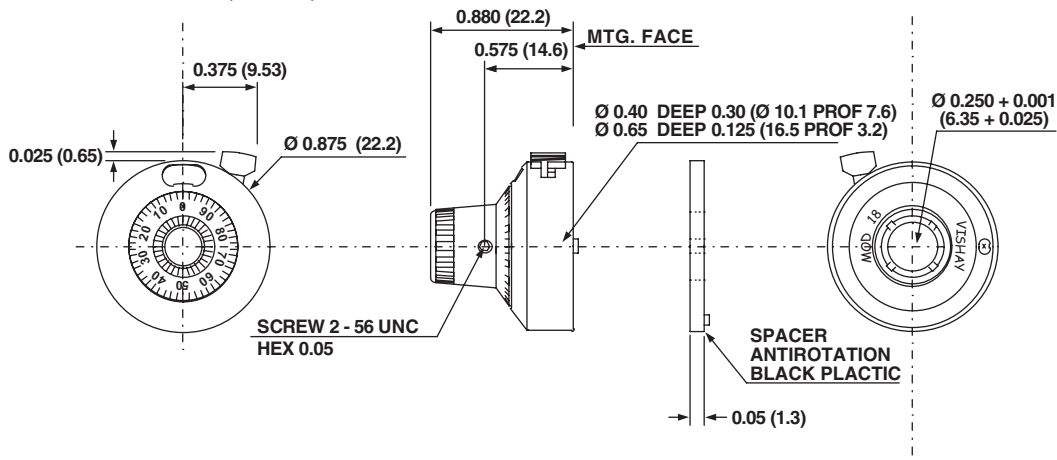
**FEATURES**

- No backlash
- Compact-requires minimal panel space (22.2 mm diameter requirement)
- For use with precision potentiometers or other rotating devices, up to 15 turns
- Designed for metal shaft
- High force “Click Brake”
- Black color on request



MECHANICAL SPECIFICATIONS	
Accepts Shaft Diameter	6.35 mm (0.250")/6 mm/3.17 mm (0.125")/3 mm
Number of Turns	0 to 15
Dial Division	50 per turn
Torque with Brake Engaged	5 oz. - in (350 gr - cm) min.
Markings	Black or satin chrome
Weight	15 g
Set Srew	UNC 2-56
Hex Key Size	1.27 mm (0.05")
Bushing Extension Beyond Panel	6.35 mm (0.250") max.
Shaft Extension Beyond Panel	18.1 mm (0.710") min. 22.2 mm (0.875") max.

**DIMENSIONS** in millimeters (inches)



ORDERING INFORMATION/DESCRIPTION				
18	A	11	B010	e
MODEL	SHAFT DIAMETER ACCOMODATION AND FIXINGS	FINISH	PACKAGING	LEAD FINISH
<b>A</b> 1/4" dia. shaft - 1 set screw <b>B</b> 6 mm metric bore - 1 set screw <b>C</b> 1/8" dia. shaft - 1 set screw <b>D</b> 3 mm metric bore - 1 set screw		<b>11</b> Satin chrome, black markings (standard) <b>21</b> Black chrome, white markings <b>41</b> Satin chrome, white markings		
Example: 18 - A - 11				

SAP PART NUMBERING GUIDELINES			
18	A	11	B10
MODEL	SHAFT DIAMETER	FINISH	PACKAGING



## Disclaimer

All product specifications and data are subject to change without notice.

Vishay Intertechnology, Inc., its affiliates, agents, and employees, and all persons acting on its or their behalf (collectively, "Vishay"), disclaim any and all liability for any errors, inaccuracies or incompleteness contained herein or in any other disclosure relating to any product.

Vishay disclaims any and all liability arising out of the use or application of any product described herein or of any information provided herein to the maximum extent permitted by law. The product specifications do not expand or otherwise modify Vishay's terms and conditions of purchase, including but not limited to the warranty expressed therein, which apply to these products.

No license, express or implied, by estoppel or otherwise, to any intellectual property rights is granted by this document or by any conduct of Vishay.

The products shown herein are not designed for use in medical, life-saving, or life-sustaining applications unless otherwise expressly indicated. Customers using or selling Vishay products not expressly indicated for use in such applications do so entirely at their own risk and agree to fully indemnify Vishay for any damages arising or resulting from such use or sale. Please contact authorized Vishay personnel to obtain written terms and conditions regarding products designed for such applications.

Product names and markings noted herein may be trademarks of their respective owners.