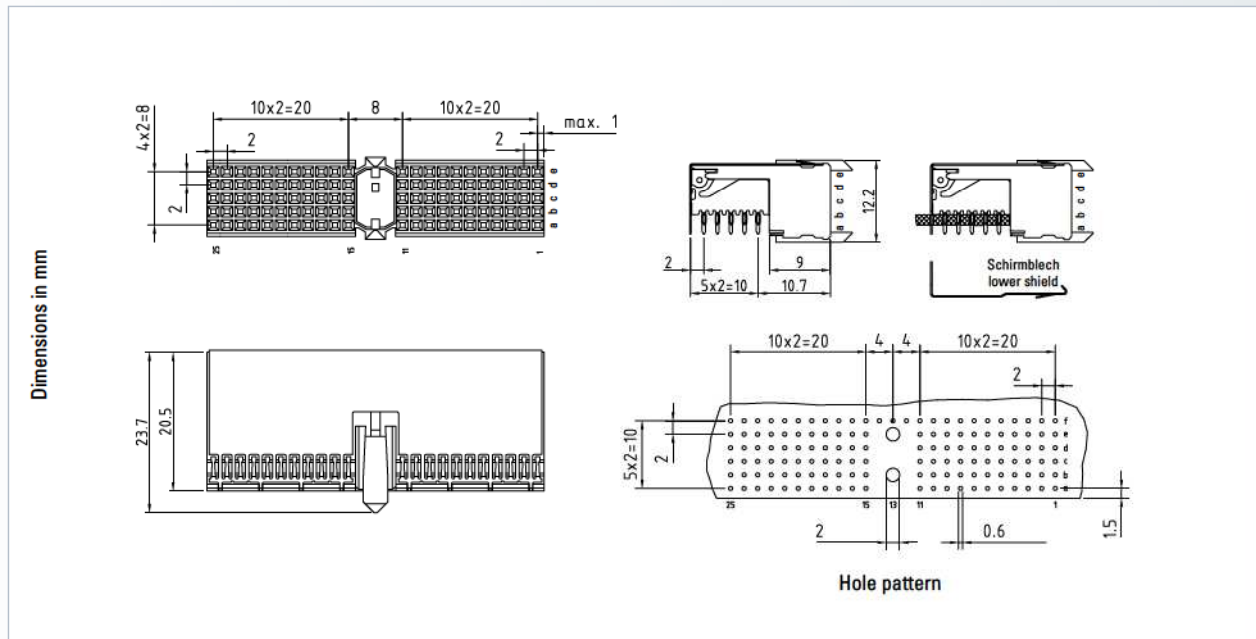


**hm connectors**  
**Type A**  
 Female connector



| No. of contacts | Description                          | Press-fit technology |
|-----------------|--------------------------------------|----------------------|
|                 |                                      | Performance level II |
|                 |                                      | Part number          |
| 110             | Without shielding                    | 244-11000-15         |
| 110             | With shielding (cPCI J1/J4)          | 244-11300-15         |
| 90              | With shielding (cPCI Telephony Spec) | 244-11305-15         |
| -               | Lower shield                         | 244-11600-1          |



|   |   |
|---|---|
| <b>On request</b><br>- Performance level I or customer-specific<br>- Also in THTR | <b>Accessories</b><br>- Press-fit tool (see page 202)<br>- Support tool (see page 203)<br>- Coding keys (see page 68) |
| <b>Note</b><br>- CompactPCI J1/J4   |   |