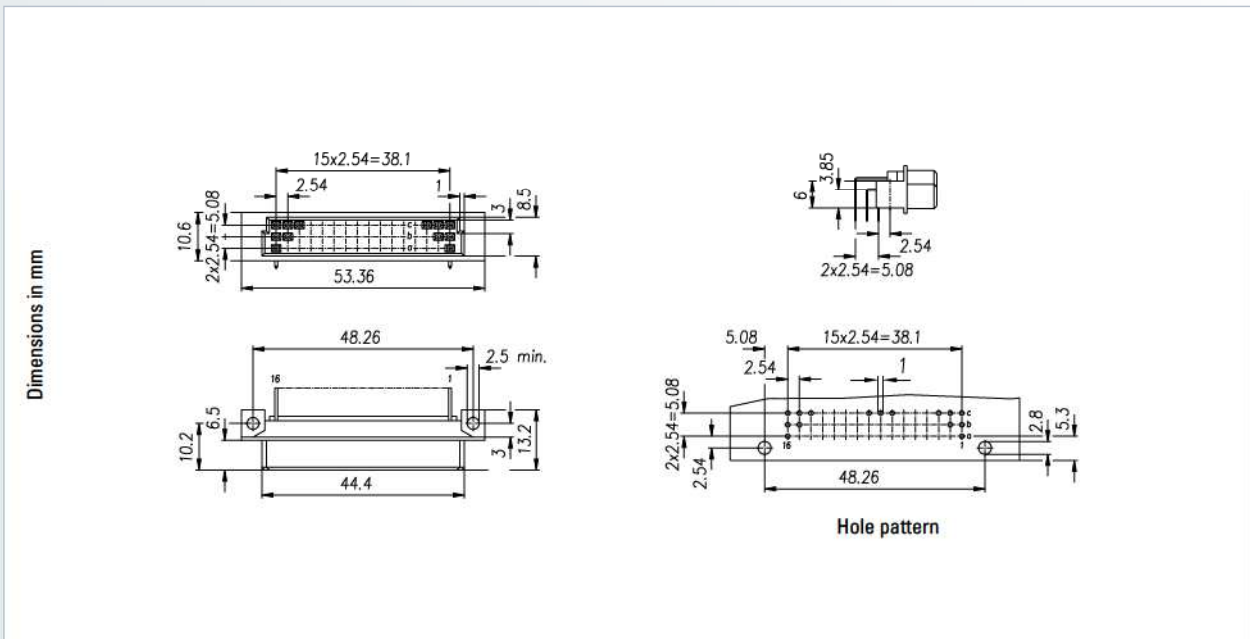


## Connectors according to DIN 41612 / IEC 60603-2

### Type R/2

Female connector



No. of contacts	Contact arrangement	Press-fit technology – Performance level II
		Termination length
		Part number
32		116-69054
48		116-69064

<b>Accessories</b> <ul style="list-style-type: none"> <li>– Press-fit tool (see page 210)</li> <li>– Support tool (see page 211)</li> </ul>	<b>On request</b> <ul style="list-style-type: none"> <li>– Performance levels I + III or customer-specific</li> <li>– Special contact length</li> </ul>	<b>Options</b> <ul style="list-style-type: none"> <li>– Without flange</li> <li>– Contact arrangement (see page 162)</li> </ul>
---	---	---