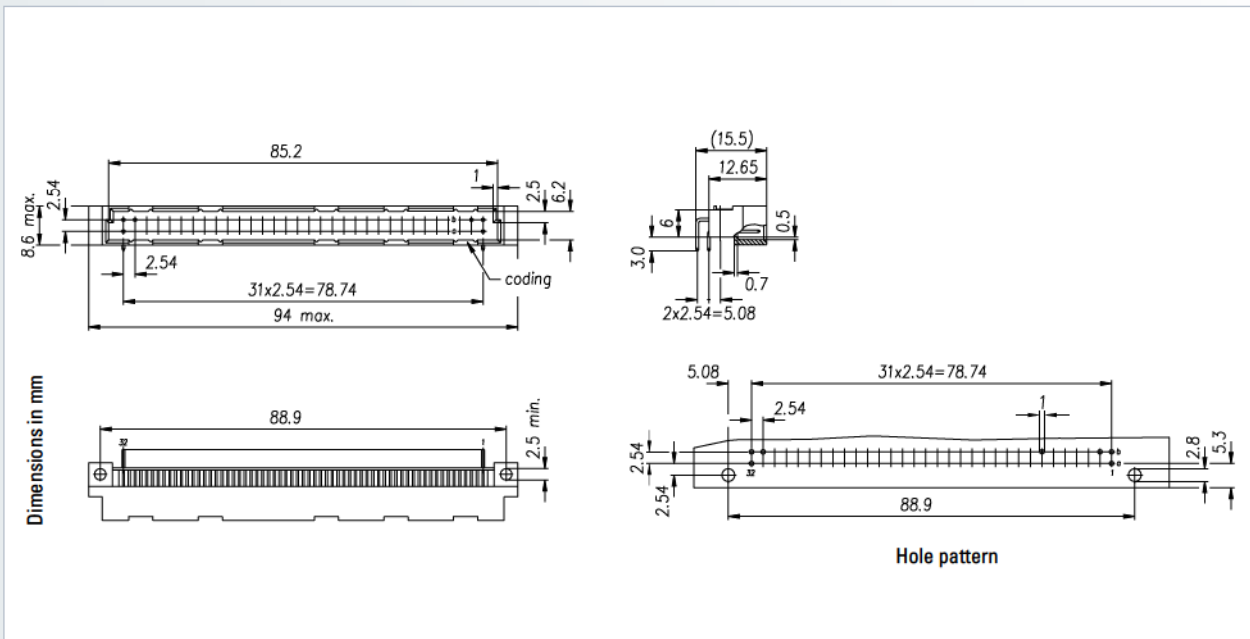
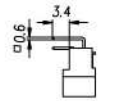
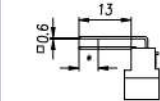
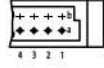
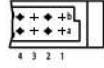



Connectors according to DIN 41612 / IEC 60603-2

Type B

Male connector



No. of contacts	Contact arrangement	Press-fit technology – Performance level II	
		Termination length	
			
Part number			
32		101-60004	101-65005
32		101-60014	101-65015
64		101-60064	101-65065

Accessories – Press-fit tool (see page 206) – Support tool (see page 207) – Coding accessories (see page 160)	On request – Performance levels I + III or customer-specific – Special contact length	Options – Contact arrangement (see page 162)
Note – * Rear mating zone Ni, Au		