

# Contact insert - HC-B 16-ESTQ-2,5 - 1605637

Please be informed that the data shown in this PDF Document is generated from our Online Catalog. Please find the complete data in the user's documentation. Our General Terms of Use for Downloads are valid (<http://download.phoenixcontact.com>)



HEAVYCON male insert, B16 series, 16-pos., QUICKON connection

## Key commercial data

package_quantity	10
GTIN	4017918940720

## Technical data

### General

Note	For HEAVYCON ADVANCE and HEAVYCON housing of B16 type. Coding using the CP-HC (1686478) coding profile. HC-B6.../ HC-B10... for two coding profiles. HC-B16.../ HC-B24... for 4 coding profiles. Connectors may be operated only when there is no load/voltage.
Connection method	QUICKON connection
Pollution degree	3
Surge voltage category	III
Number of positions	16+PE
Insertion/withdrawal cycles	≥ 500
Design	B16
Conductor cross section	0.34 mm <sup>2</sup> ... 2.5 mm <sup>2</sup>
Connection cross section AWG	22 ... 14
Wire diameter including insulation	1 mm ... 3.5 mm
Frequency of connections between conductors of the same cross section	10
Assembly instructions	If the conductor is to be reconnected, it must be cut off above the last contact point.
Connection	For housings of type B16/B32. Connectors may only be actuated when there is no load/voltage.

### Ambient conditions

Ambient temperature (operation)	-40 °C ... 125 °C (including heating up of contacts)
Ambient temperature (assembly)	-25 °C ... 50 °C

### Material data

Inflammability class according to UL 94	V0
Contact material	Copper alloy

# Contact insert - HC-B 16-ESTQ-2,5 - 1605637

## Technical data

### Material data

<b>Contact surface material</b>	Ag
<b>Contact carrier material</b>	PA
<b>Material wire insulation</b>	PVC / PE

### Electrical characteristics

<b>Rated voltage (III/3)</b>	400 V
<b>Rated surge voltage</b>	6 kV
<b>Rated current</b>	16 A

## classifications

### eCl@ss

<b>eCl@ss 4.0</b>	27140816
<b>eCl@ss 4.1</b>	27140816
<b>eCl@ss 5.0</b>	27143424
<b>eCl@ss 5.1</b>	27143424
<b>eCl@ss 6.0</b>	27143424
<b>eCl@ss 7.0</b>	27440209
<b>eCl@ss 8.0</b>	27440209

### ETIM

<b>ETIM 2.0</b>	EC000437
<b>ETIM 3.0</b>	EC000437
<b>ETIM 4.0</b>	EC000437
<b>ETIM 5.0</b>	EC000437

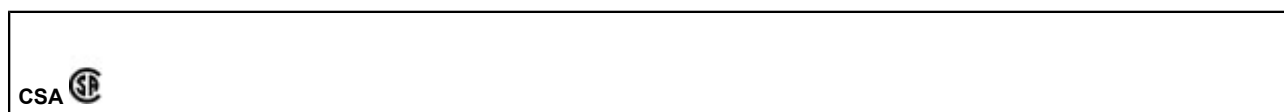
### UNSPSC

<b>UNSPSC 6.01</b>	30211923
<b>UNSPSC 7.0901</b>	39121522
<b>UNSPSC 11</b>	39121522
<b>UNSPSC 12.01</b>	39121522
<b>UNSPSC 13.2</b>	39121522

## approvals

CSA / UL Recognized / cUL Recognized / cULus Recognized /

### Approval details



# Contact insert - HC-B 16-ESTQ-2,5 - 1605637

## approvals

Nominal voltage UN	600 V
Nominal current IN	10 A
mm <sup>2</sup> /AWG/kcmil	16

<b>UL Recognized</b>	
Nominal voltage UN	600 V
Nominal current IN	10 A
mm <sup>2</sup> /AWG/kcmil	16-14

<b>cUL Recognized</b>	
Nominal voltage UN	600 V
Nominal current IN	10 A
mm <sup>2</sup> /AWG/kcmil	16-14

<b>cULus Recognized</b>	
-------------------------	--

## accessories

### Coding element

CP-HC - 1686478



HC-CST - 1676857



## Contact insert - HC-B 16-ESTQ-2,5 - 1605637

accessories

HC-CBU - 1676860



HC-CB - 1772722



**Mounting material**

HC-B-PES - 1604997



HC-B-3PE - 1644326



HC-B-ZG - 1685327



## Contact insert - HC-B 16-ESTQ-2,5 - 1605637

accessories

HC-B-ZS - 1685330



---

### Plug assembly frame

HC-SMR-B16 - 1687972



---

### Plug mounting plate

HC-SMP 125-B16-AMQ - 1660973



---

### Adapter plate

HC-B 24-ADP-B 16-GY - 1660449



---

### Docking frame

HC-B 16-ANDOCK - 1586138

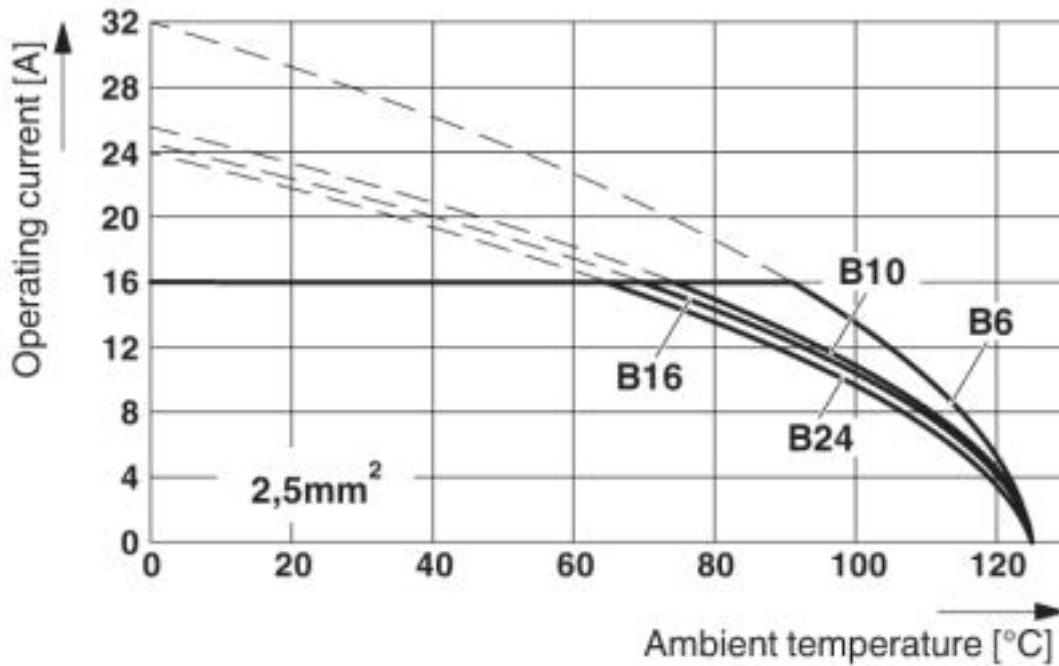


# Contact insert - HC-B 16-ESTQ-2,5 - 1605637

accessories

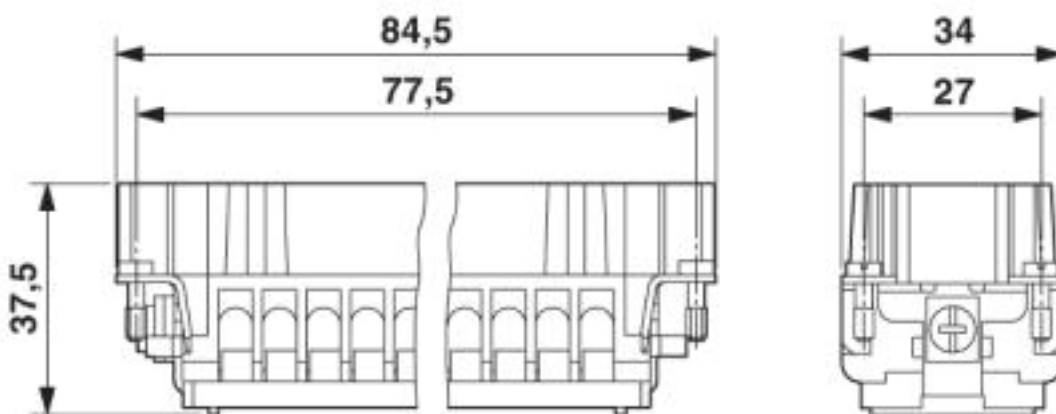
## Drawings

Diagram



The illustration shows the derating diagram of various series B contact inserts (B6 to B24), conductor cross section 2.5 mm<sup>2</sup>

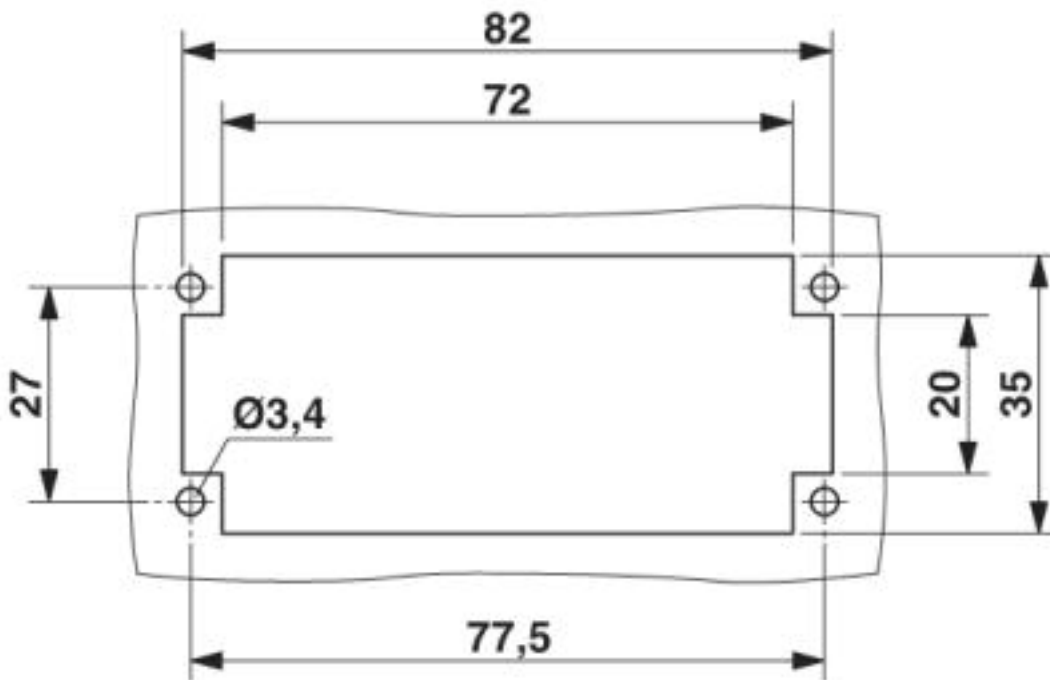
Dimensioned drawing



Male insert

## Contact insert - HC-B 16-ESTQ-2,5 - 1605637

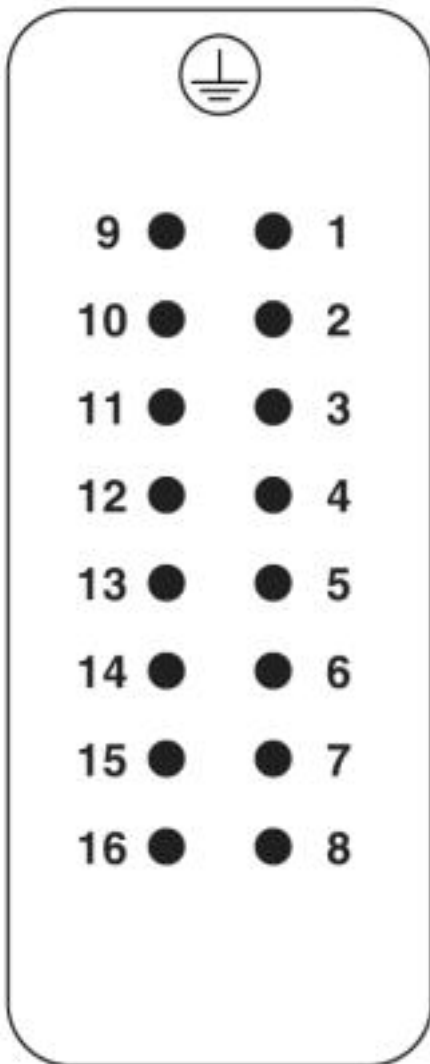
Dimensioned drawing



Panel cutout

# Contact insert - HC-B 16-ESTQ-2,5 - 1605637

Schematic diagram



Connector pin assignment, connection side

© Phoenix Contact 2013 - all rights reserved  
<http://www.phoenixcontact.com>