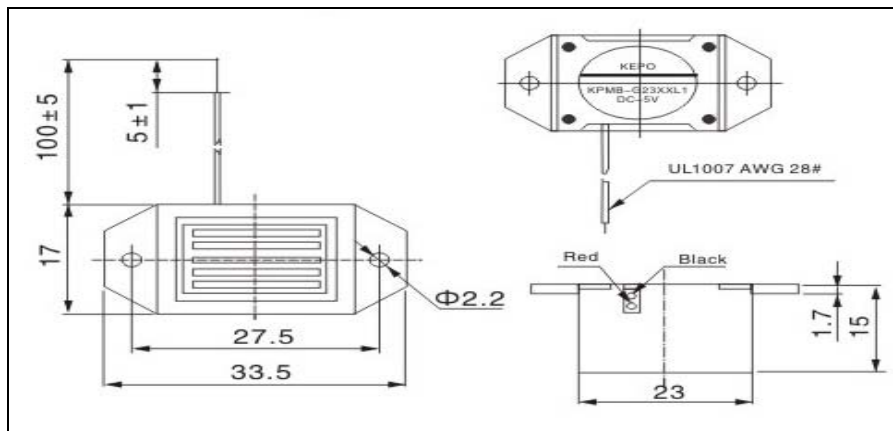


# Technical datasheet: KPMB-G2303L1-K6348

## Specifications:

Operating Temperature	-20°C to +60°C
Storage Temperature	-30°C to +70°C
Rated Voltage	3VDC
Operating Voltage	2V~5VDC
Max.Rated Current	25mA
Resonant Frequency	400Hz±100Hz
Min SPL	75dB at 3VDC/20cm
Response Time	50ms
Tone Nature	Continues
Weight	10g
Case Material/Color	ABS/Black

## Dimensions:



## Frequency Response

