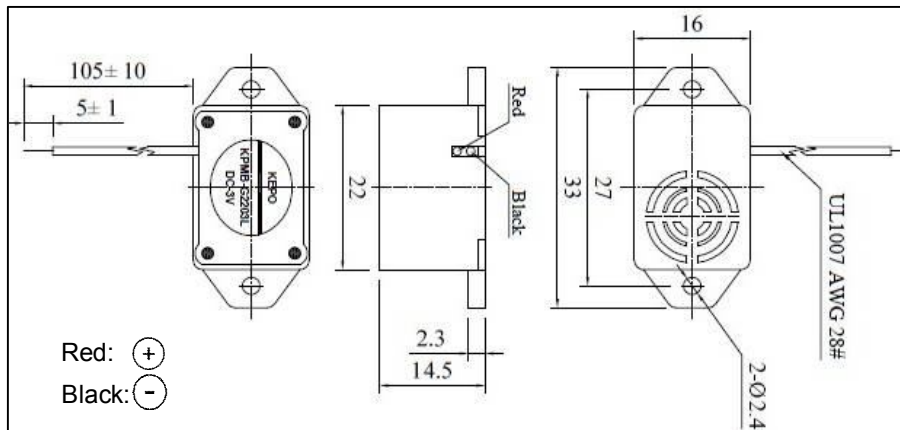


Technical datasheet: KPMB-G2203L-K6343

Specifications:

Operating Temperature Range	-20°C to +60°C
Storage Temperature Range	-30°C to +70°C
Rated Voltage	3VDC
Operating Voltage	2VDC to 5VDC
Max. Rated Current	30mA / 3VDC
Min. Sound Pressure Level	75dB/3VDC/20cm
Resonant Frequency	400± 100Hz
Housing Material/Color	ABS/White

Dimensions:



Frequency Response:

