

Housing - VC-MEMV-T1-Z - 1853324

Please be informed that the data shown in this PDF Document is generated from our Online Catalog. Please find the complete data in the user's documentation. Our General Terms of Use for Downloads are valid (<http://download.phoenixcontact.com>)



Metal sleeve housing, EMC-coating, locking screws with cylindrical head, with conductive seal, type 1, cable screw connection Pg16

The illustration shows version VC-MEMV-T3-Z

Key commercial data

package_quantity	5
GTIN	4017918132927

Technical data

Dimensions

Height	65 mm
Width	33 mm
Length	59 mm

Ambient conditions

Ambient temperature (operation)	-40 °C ... 125 °C
--	-------------------

General

Note	When using fiber optics, the bending radii of the cable manufacturers must be observed.
Design	VC1
Color	nickel
Locking type	Screw locking, cylinder head
Tightening torque, mounting screw	1.5 Nm ± 0.3 Nm
No. of cable exits	1
Cable exit	Angled
Screw connection	None
Type of the screw connection	Pg16
Housing material	Zinc die-cast
Housing surface material	Nickel-plated
Seal material	EPDM, conductive
Material of locking screw	V2A

Housing - VC-MEMV-T1-Z - 1853324

classifications

eCl@ss

eCl@ss 4.0	27140816
eCl@ss 4.1	27140816
eCl@ss 5.0	27371205
eCl@ss 5.1	27371205
eCl@ss 6.0	27371205
eCl@ss 7.0	27371205
eCl@ss 8.0	27371205

ETIM

ETIM 2.0	EC000437
ETIM 3.0	EC000437
ETIM 4.0	EC000437
ETIM 5.0	EC000437

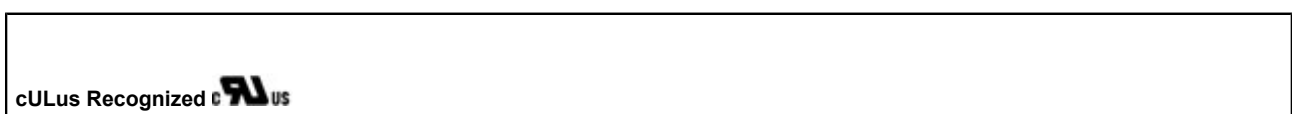
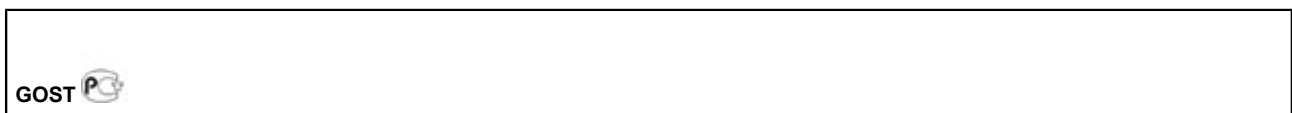
UNSPSC

UNSPSC 6.01	31261502
UNSPSC 7.0901	31261502
UNSPSC 11	31261502
UNSPSC 12.01	31261502
UNSPSC 13.2	31261502

approvals

UL Recognized / cUL Recognized / GOST / cULus Recognized /

Approval details



Housing - VC-MEMV-T1-Z - 1853324

accessories

Half screw connection

VC-M-KV-PG16(4- 6,5) - 1853942



VC-M-KV-PG16(6,5- 9,5) - 1853968



VC-M-KV-PG16(9-13) - 1853984



VC-M-KV-PG16(11,5-15,5) - 1854857



VC-M-KV-PG16(5- 8) - 1853955



Housing - VC-MEMV-T1-Z - 1853324

accessories

VC-M-KV-PG16(7-10,5) - 1853971



VC-M-KV-PG16(11,5-15,5) - 1854857



Multiple screw connection

VC-M-KV-PG16 1X6/1X8 - 1885473



VC-M-KV-PG16 1X5/2X6 - 1885509



VC-M-KV-PG16 3X7 - 1885525



Housing - VC-MEMV-T1-Z - 1853324

accessories

VC-M-KV-PG16 1X3/1X9 - 1885460



VC-M-KV-PG16 1X6/1X8 - 1885473



VC-M-KV-PG16 1X3/2X8 - 1885499



VC-M-KV-PG16 2X6/1X7 - 1885512



accessories

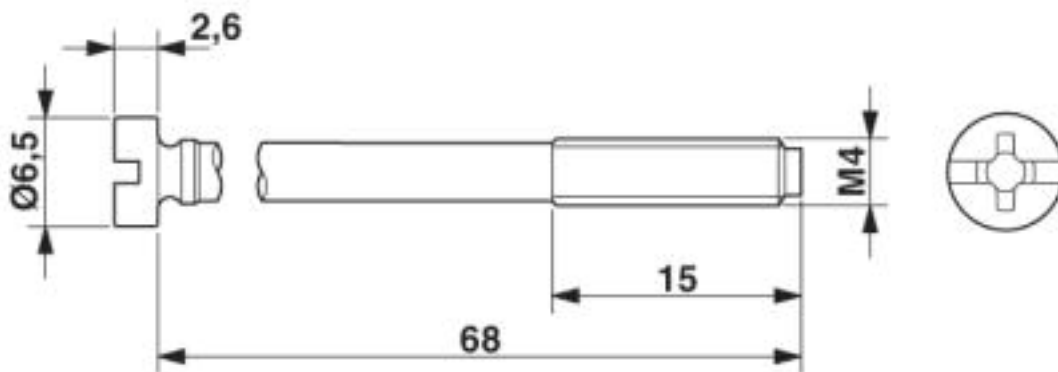
VC-BZS WH - 1852875



Drawings

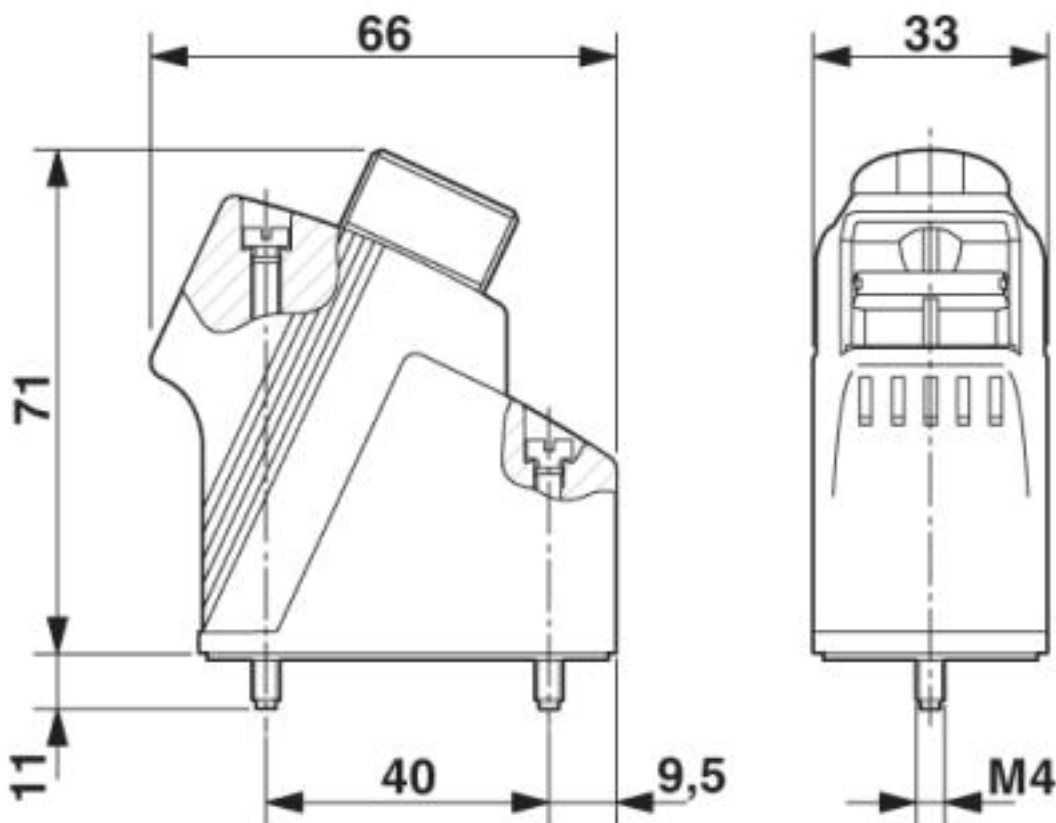
Housing - VC-MEMV-T1-Z - 1853324

Dimensioned drawing



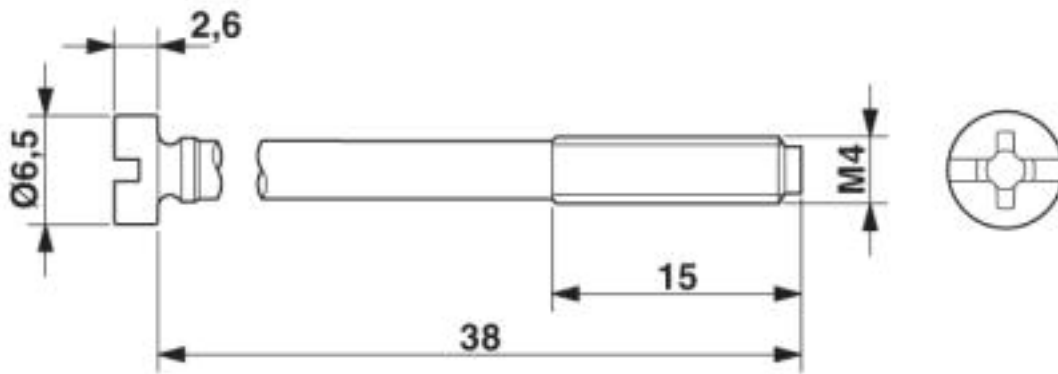
Dimensioned drawing

Dimensioned drawing



Housing - VC-MEMV-T1-Z - 1853324

Dimensioned drawing



© Phoenix Contact 2013 - all rights reserved
<http://www.phoenixcontact.com>