

Housing - VC-MEMV-T3-R-M25 - 1886618

Please be informed that the data shown in this PDF Document is generated from our Online Catalog. Please find the complete data in the user's documentation. Our General Terms of Use for Downloads are valid (<http://download.phoenixcontact.com>)



Sleeve housing with EMC coating and conductive seal, with metric cable entry, locking screws with knurled head, type 3

Key commercial data

package_quantity	5
GTIN	4017918848033

Technical data

Dimensions

Height	75 mm
Width	33 mm
Length	89 mm

Ambient conditions

Ambient temperature (operation)	-40 °C ... 125 °C
--	-------------------

General

Note	When using fiber optics, the bending radii of the cable manufacturers must be observed.
Design	VC3
Housing type	Sleeve housings
Color	nickel
Locking type	Screw locking, knurled head
Tightening torque, mounting screw	1.5 Nm ± 0.3 Nm
No. of cable exits	1
Cable exit	Angled
Screw connection	None
Type of the screw connection	M25
Housing material	Zinc die-cast, surface bronzed and nickel-plated
Housing surface material	Nickel-plated
Seal material	EPDM, conductive
Material of locking screw	Nickel-plated brass

Housing - VC-MEMV-T3-R-M25 - 1886618

classifications

eCl@ss

eCl@ss 4.0	27140816
eCl@ss 4.1	27140816
eCl@ss 5.0	27371205
eCl@ss 5.1	27371205
eCl@ss 6.0	27371205
eCl@ss 7.0	27371205
eCl@ss 8.0	27371205

ETIM

ETIM 2.0	EC000437
ETIM 3.0	EC000437
ETIM 4.0	EC000437
ETIM 5.0	EC000437

UNSPSC

UNSPSC 6.01	31261502
UNSPSC 7.0901	31261502
UNSPSC 11	31261502
UNSPSC 12.01	31261502
UNSPSC 13.2	31261502

approvals

GOST /

Approval details



accessories

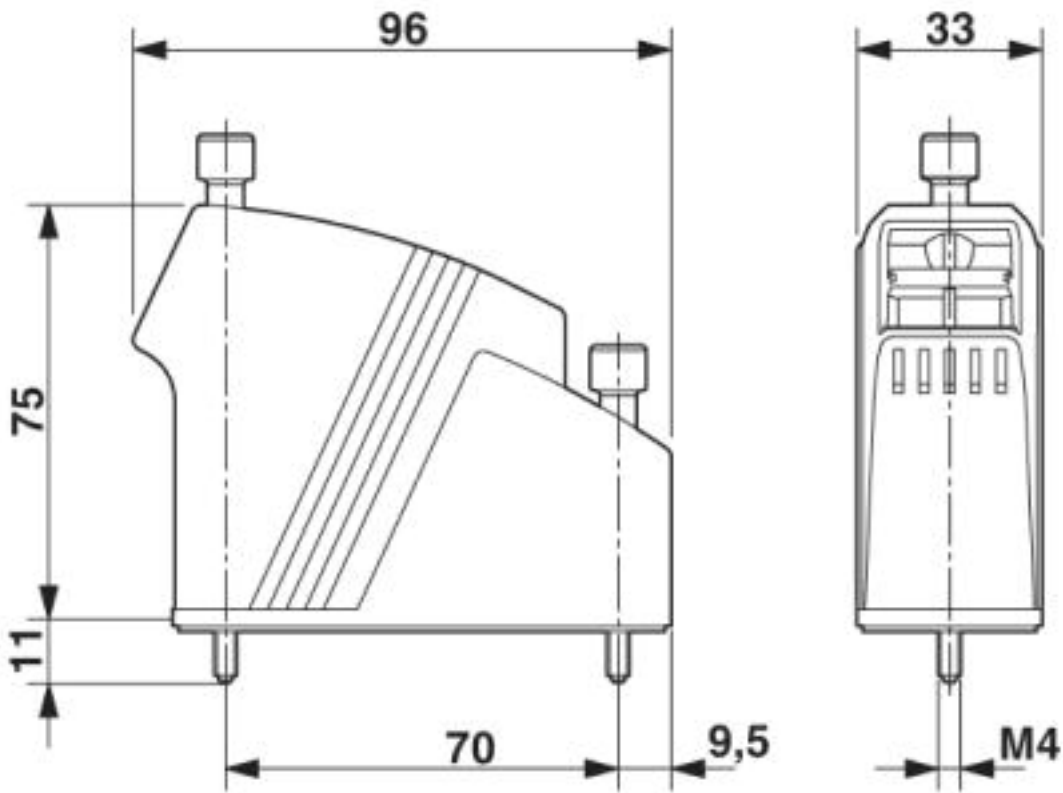
VC-BZS WH - 1852875



Drawings

Housing - VC-MEMV-T3-R-M25 - 1886618

Dimensioned drawing



© Phoenix Contact 2013 - all rights reserved
<http://www.phoenixcontact.com>