

Sensor/actuator box header - SACB-8/16-L-C GG SCO P - 1452916

Please be informed that the data shown in this PDF Document is generated from our Online Catalog. Please find the complete data in the user's documentation. Our General Terms of Use for Downloads are valid (<http://download.phoenixcontact.com>)



Sensor/actuator box header, Connection method: M12-SPEEDCON-socket Plastic, Number of slots: 8, Number of positions: 5, Slot assignment: Double, Status indication: Yes, pnp; Master cable connection: Pluggable screw connection, Shielding: No



Key commercial data

package_quantity	1
GTIN	4046356553773

Technical data

General

Rated voltage	24 V DC
Max. operating voltage U_{max}	30 V DC
Current carrying capacity per I/O signal	2 A
Current carrying capacity per slot	4 A
Total rated current	10 A
Number of positions	5
Number of slots	8
Inflammability class according to UL 94	V0
Sensor/actuator connection system	M12-SPEEDCON-socket

Ambient conditions

Degree of protection	IP65
Degree of protection	IP67
Ambient temperature (operation)	-25 °C ... 80 °C

Local diagnostics function

Local diagnostics	Supply voltage Green LED
Local diagnostics	Status display I/O Yellow LED

Master cable data/connection data

Connection method	Pluggable screw connection
Tightening torque slot sensor/actuator cable	0.4 Nm
Tightening torque screw plug	0.4 Nm

Sensor/actuator box header - SACB-8/16-L-C GG SCO P - 1452916

Technical data

Insulation material

Housing material	PBT
Material of the moulding mass	PUR
Contact material	Cu alloy
Contact surface material	Gold-plated
Contact carrier material	PA
Material of contact, master cable side	CU alloy
Material of contact surface, master cable side	Sn
Material of the contact carrier on the master cable side	PA
Material of threaded sleeve	PBT
Material, O-ring	NBR
Sealing material	NBR (Connector hood)

Pin assignment

Slot/position = Wire color or connection	1 / 4 (A) = WH
Slot/position = Wire color or connection	1 / 2 (B) = GY/PK
Slot/position = Wire color or connection	2 / 4 (A) = GN
Slot/position = Wire color or connection	2 / 2 (B) = RD/BU
Slot/position = Wire color or connection	3 / 4 (A) = YE
Slot/position = Wire color or connection	3 / 2 (B) = WH/GN
Slot/position = Wire color or connection	4 / 4 (A) = GY
Slot/position = Wire color or connection	4 / 2 (B) = BN/GN
Slot/position = Wire color or connection	5 / 4 (A) = PK
Slot/position = Wire color or connection	5 / 2 (B) = WH/YE
Slot/position = Wire color or connection	6 / 4 (A) = RD
Slot/position = Wire color or connection	6 / 2 (B) = YE/BN
Slot/position = Wire color or connection	7 / 4 (A) = BK
Slot/position = Wire color or connection	7 / 2 (B) = WH/GY
Slot/position = Wire color or connection	8 / 4 (A) = VT
Slot/position = Wire color or connection	8 / 2 (B) = GY/BN
Slot/position = Wire color or connection	1-8 / 1 (+ 24 V) = BN
Slot/position = Wire color or connection	1-8 / 3 (0 V) = BU
Slot/position = Wire color or connection	1-8 / 5 (PE) = GN/YE

classifications

eCl@ss

eCl@ss 4.0	27250313
eCl@ss 4.1	27250313
eCl@ss 5.0	27250313
eCl@ss 5.1	27250314
eCl@ss 6.0	27279219

Sensor/actuator box header - SACB-8/16-L-C GG SCO P - 1452916

classifications

eCl@ss

eCl@ss 7.0	27279219
eCl@ss 8.0	27279219

ETIM

ETIM 4.0	EC002585
ETIM 5.0	EC002585

UNSPSC

UNSPSC 6.01	31261501
UNSPSC 7.0901	31261501
UNSPSC 11	31261501
UNSPSC 12.01	31261501
UNSPSC 13.2	31261501

approvals

UL Recognized / cUL Recognized / GOST / cULus Recognized /

Approval details

UL Recognized	
Nominal voltage UN	24 V
Nominal current IN	
mm ² /AWG/kcmil	

cUL Recognized	
Nominal voltage UN	24 V
Nominal current IN	
mm ² /AWG/kcmil	

GOST	
-------------	--

Sensor/actuator box header - SACB-8/16-L-C GG SCO P - 1452916

approvals

cULus Recognized  US

accessories

Protective cap

PROT-MS SCO - 1553129



Device marking

SS-ZB 17,5 WH - 0804963



SS-ZB 17,5 YE - 0804976



Labeled device marker

SS-ZB 17,5 WH CUS - 0824468



Sensor/actuator box header - SACB-8/16-L-C GG SCO P - 1452916

accessories

SS-ZB 17,5 YE CUS - 0824469



Torque tool

TSD 04 SAC - 1208429



TSD-M 1,2NM - 1212224



Screwdriver tools

SACC BIT M12-D20 - 1208445



SZK PZ2 VDE - 1206463



Sensor/actuator box header - SACB-8/16-L-C GG SCO P - 1452916

accessories

Connector hood with master cable

SACB-C-H180-8/16- 5,0PUR SCO P - 1453203



SACB-C-H180-8/16-10,0PUR SCO P - 1453216



SACB-C-H180-8/16 SCO P PUR/ - 1401418



Connector hood without master cable

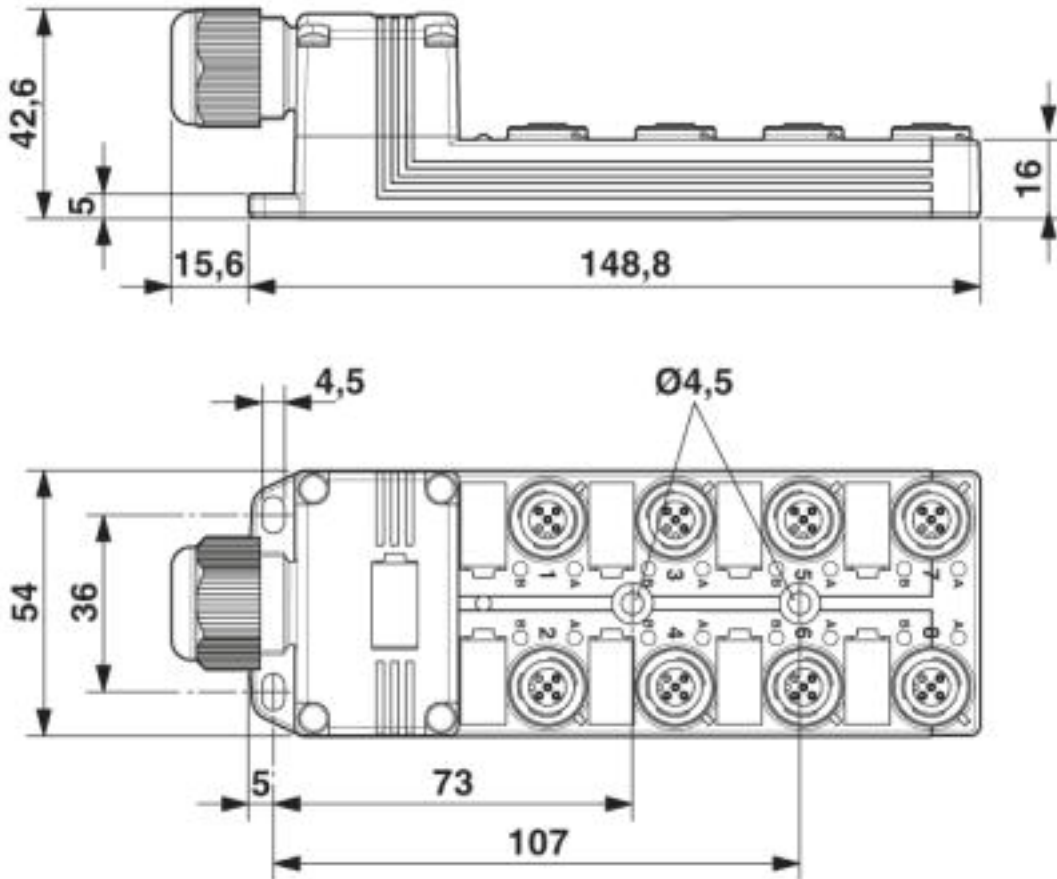
SACB-C-H180-8/16 SCO P - 1453229



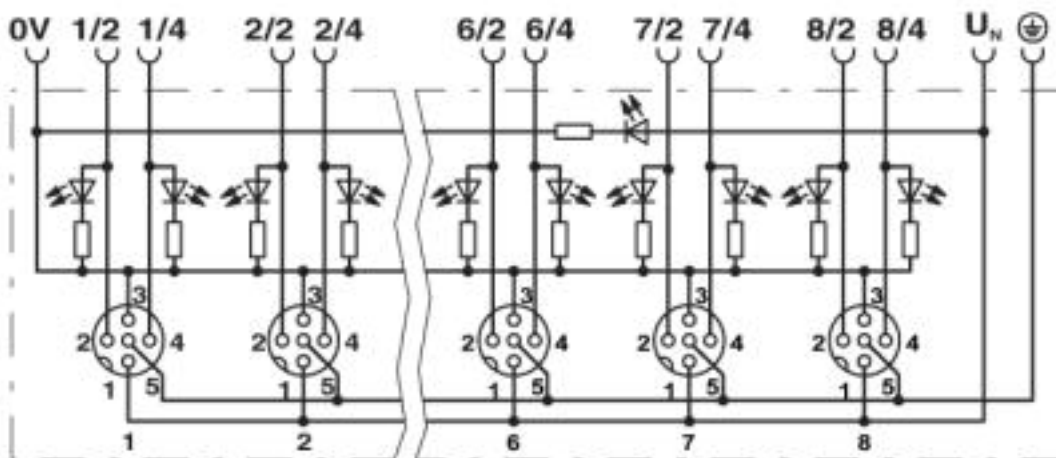
Drawings

Sensor/actuator box header - SACB-8/16-L-C GG SCO P - 1452916

Dimensioned drawing

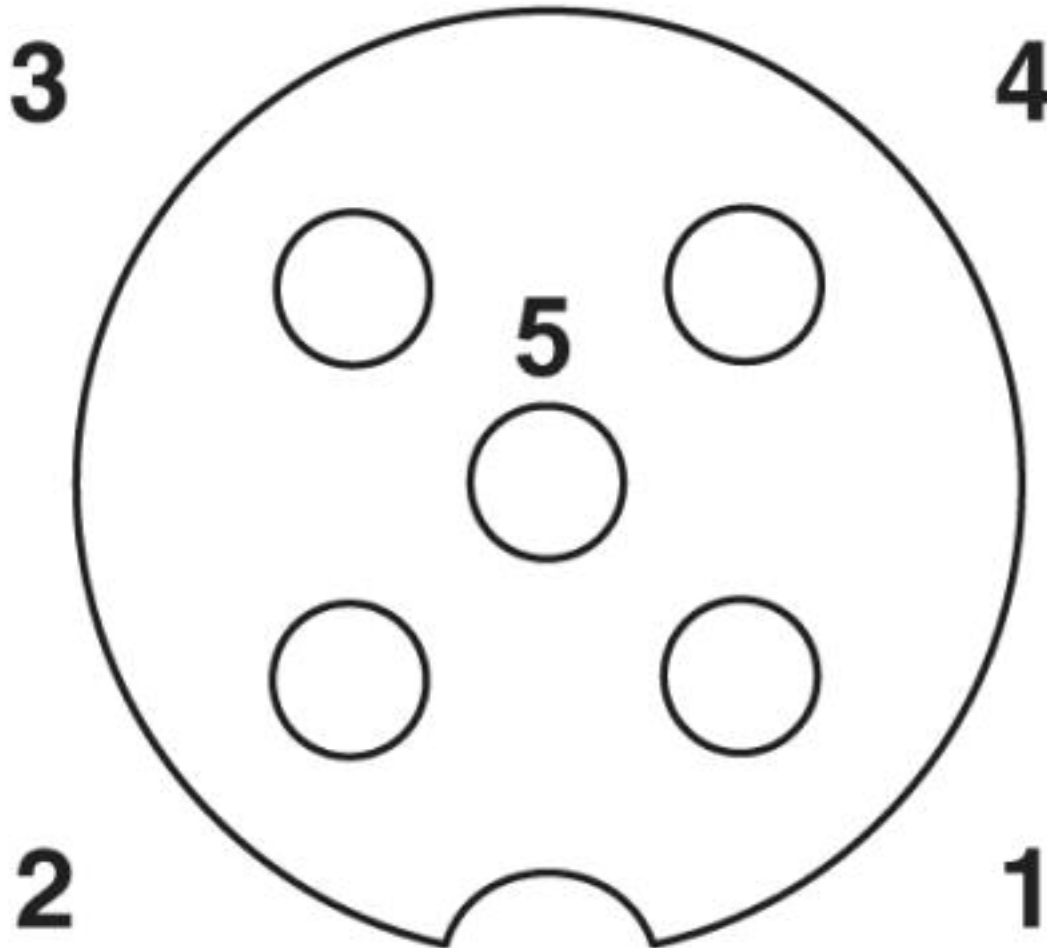


Circuit diagram



Sensor/actuator box header - SACB-8/16-L-C GG SCO P - 1452916

Schematic diagram



M12 slot, socket, 5-pos.

© Phoenix Contact 2013 - all rights reserved
<http://www.phoenixcontact.com>