

# Female insert - HC-D 25-I-CT-F - 1584402

Please be informed that the data shown in this PDF Document is generated from our Online Catalog. Please find the complete data in the user's documentation. Our General Terms of Use for Downloads are valid (<http://download.phoenixcontact.com>)



HEAVYCON female insert, D25 series, 25-pos., crimp connection

## Key commercial data

package_quantity	10
GTIN	4046356142663

## Technical data

### General

Note	For HEAVYCON housing type D25, CK1,6-ED crimp contacts (crimp contacts not supplied as standard)
Connection method	Crimp connection
Pollution degree	3
Surge voltage category	III
Constructional and testing regulations	DIN VDE 0627/86
Constructional and testing regulations	DIN VDE 0110/02.79
Constructional and testing regulations	DIN VDE 0110-1/04.97
Constructional and testing regulations	IEC 60664-1, DIN IEC 60512
Constructional and testing regulations	IEC 60352
Number of positions	25+PE
Insertion/withdrawal cycles	≥ 500
Design	D25
Connection in acc. with standard	IEC / EN
Conductor cross section	0.14 mm <sup>2</sup> ... 2.5 mm <sup>2</sup>
Connection cross section AWG	26 ... 14
Stripping length of the individual wire	8 mm
Stripping length of the individual wire	6 mm (2.5 mm <sup>2</sup> )
Assembly instructions	- Use of HC-CST (1676857) coding pins and HC-CBU (1676860) coding sockets has been prescribed.
Connection	Connectors may be plugged in only when there is no load/voltage.

### Ambient conditions

Ambient temperature (operation)	-40 °C ... 125 °C (including heating up of contacts)
---------------------------------	--

### Material data

# Female insert - HC-D 25-I-CT-F - 1584402

## Technical data

### Material data

Inflammability class according to UL 94	V0
Contact material	Copper alloy
Contact surface material	Ag (alternatively Au)
Contact carrier material	PA

### Electrical characteristics

Rated voltage (III/3)	250 V
Rated surge voltage	4 kV
Rated current	10 A

## classifications

### eCl@ss

eCl@ss 4.0	27140816
eCl@ss 4.1	27140816
eCl@ss 5.0	27143424
eCl@ss 5.1	27143424
eCl@ss 6.0	27261205
eCl@ss 7.0	27440207
eCl@ss 8.0	27440207

### ETIM

ETIM 2.0	EC000438
ETIM 3.0	EC000438
ETIM 4.0	EC000438
ETIM 5.0	EC000438

### UNSPSC

UNSPSC 6.01	30211923
UNSPSC 7.0901	39121522
UNSPSC 11	39121522
UNSPSC 12.01	39121522
UNSPSC 13.2	39121522

## accessories

### Mounting material

HC-A-PES - 1584868



# Female insert - HC-D 25-I-CT-F - 1584402

accessories

---

## Coding element

HC-CST - 1676857



HC-CBU - 1676860



HC-CB - 1772722



CK1,6-ED-BB - 1645888



## Plug assembly frame

HC-SMR-D25 - 1604023



## Assembly tool

## Female insert - HC-D 25-I-CT-F - 1584402

accessories

VC-EW 1,6 - 1884869



---

### Crimping tool

CRIMPFOX-1,6/2,5-ED-4,0 - 1687419



---

### Fiber optics contact

CK1,6-ED-BU-POF - 1885004



---

### Crimp contact

CK1,6-ED-0,37BU AG - 1663394



CK1,6-ED-0,50BU AG - 1663404



## Female insert - HC-D 25-I-CT-F - 1584402

### accessories

CK1,6-ED-0,75BU AG - 1663417



CK1,6-ED-1,00BU AG - 1663420



CK1,6-ED-1,50BU AG - 1663433



CK1,6-ED-2,50BU AG - 1663446



CK1,6-ED-0,37BU AU - 1674969



CK1,6-ED-0,50BU AU - 1674480



## Female insert - HC-D 25-I-CT-F - 1584402

accessories

---

CK1,6-ED-0,75BU AU - 1672440



CK1,6-ED-1,00BU AU - 1674943



CK1,6-ED-1,50BU AU - 1674930



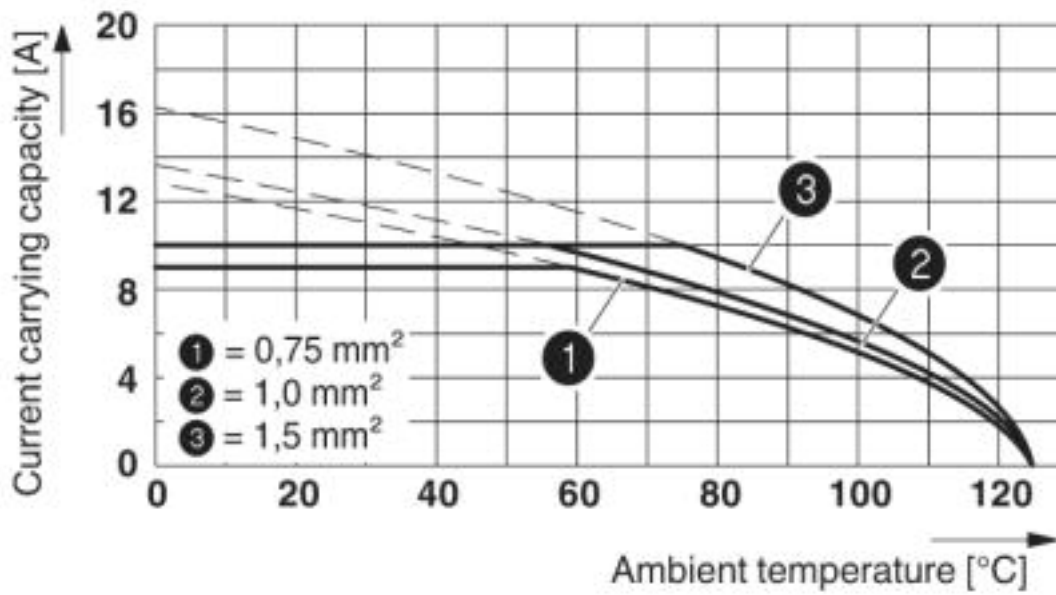
CK1,6-ED-2,50BU AU - 1674985



Drawings

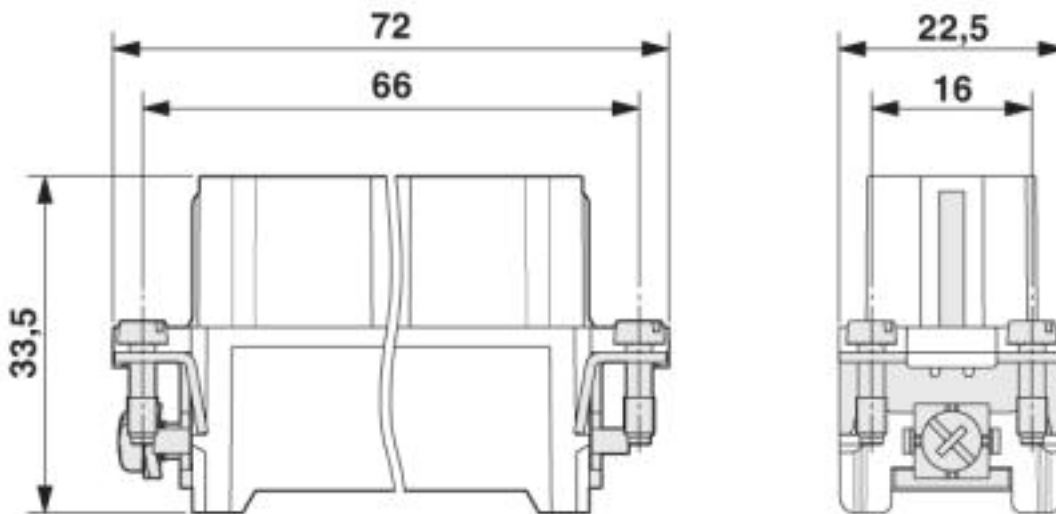
# Female insert - HC-D 25-I-CT-F - 1584402

Diagram



Derating diagram: HC-D...C series

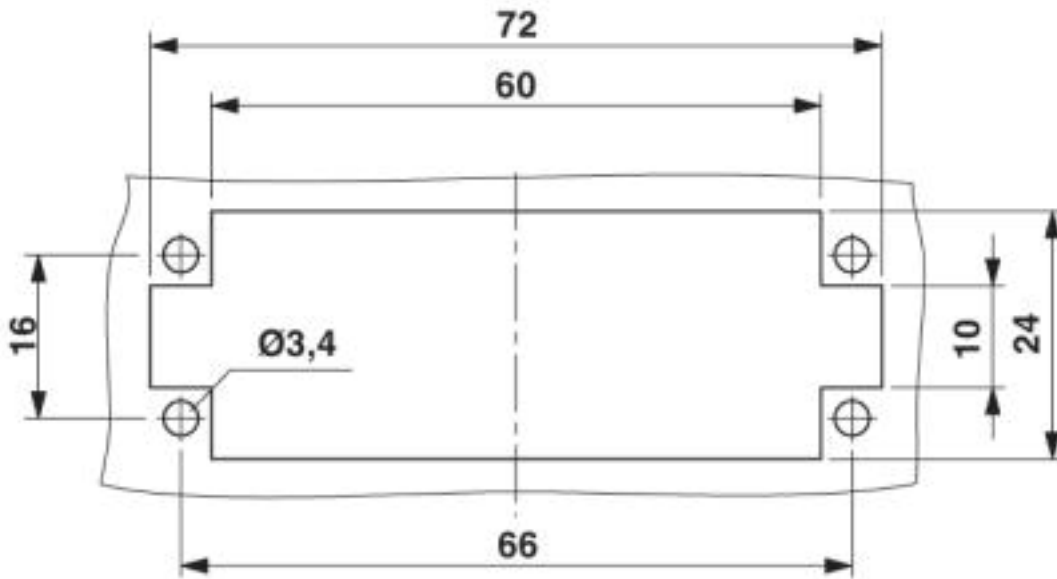
Dimensioned drawing



Female insert

# Female insert - HC-D 25-I-CT-F - 1584402

Dimensioned drawing

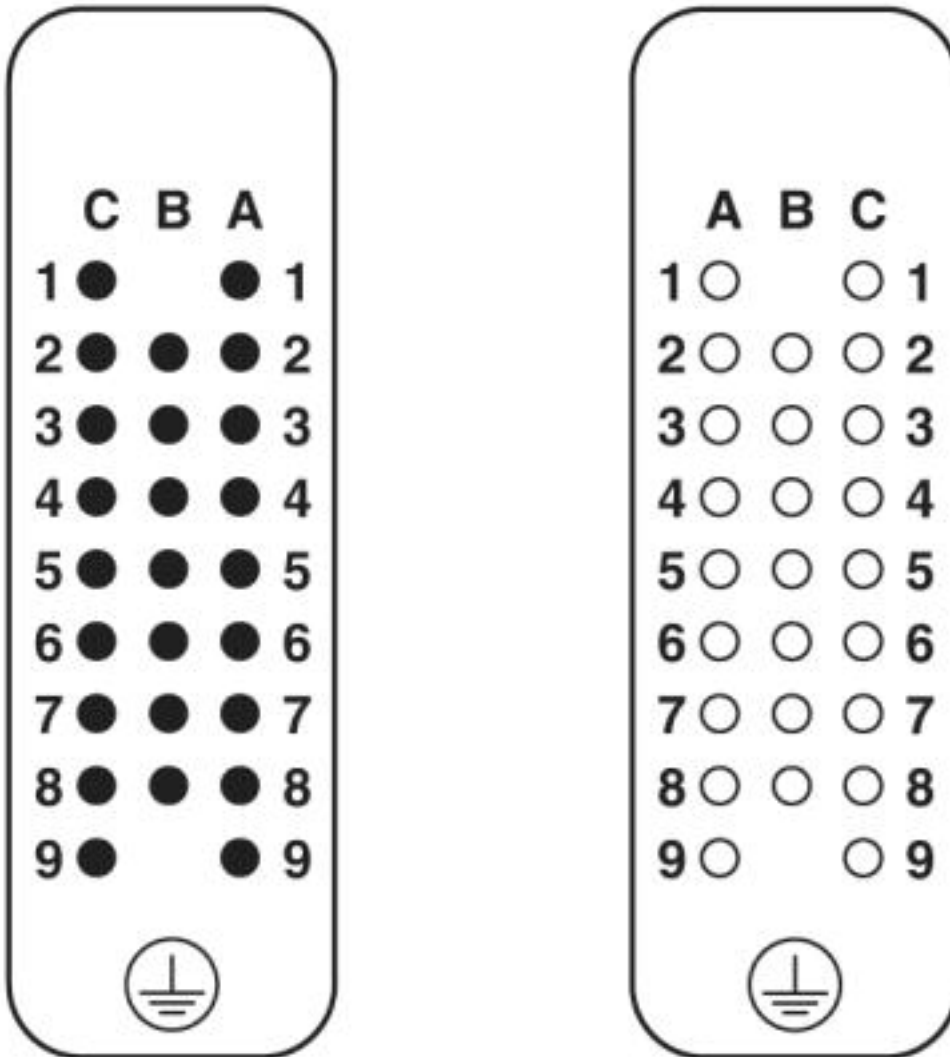


Panel cutout



# Female insert - HC-D 25-I-CT-F - 1584402

Schematic diagram



Connector pin assignment connection side: Left pin; right socket

© Phoenix Contact 2013 - all rights reserved  
<http://www.phoenixcontact.com>