

# Terminal adapter - HC-B 24-A-UT-PEL-F - 1648054

Please be informed that the data shown in this PDF Document is generated from our Online Catalog. Please find the complete data in the user's documentation. Our General Terms of Use for Downloads are valid (<http://download.phoenixcontact.com>)



HEAVYCON terminal adapter, socket insert, B24 series, 24-pos., for the left control cabinet panel, screw connection

## Key commercial data

package_quantity	5
GTIN	4017918969677

## Technical data

### Dimensions

Drill hole distance, horizontal	104 mm
Height	74.2 mm

### Ambient conditions

Ambient temperature (operation)	-40 °C ... 125 °C
---------------------------------	-------------------

### Electrical characteristics

Note	For HEAVYCON ADVANCE panel mounting flange and HEAVYCON panel mounting base of type B6. Plug-in connections may only be operated only when there is no load/voltage.
Number of positions	24
Connection in acc. with standard	IEC / EN
Rated voltage (III/3)	500 V
Rated surge voltage	6 kV
Rated current	16 A

### Mechanical characteristics

Design	B24
Screw thread	M3
Connection method	Screw connection
Tightening torque	0.5 Nm ... 0.8 Nm
Stripping length of the individual wire	12 mm
Conductor cross section	0.5 mm <sup>2</sup> ... 2.5 mm <sup>2</sup>
Connection cross section AWG	20 ... 14

### General

Contact material	Copper alloy
Contact surface material	Ag

# Terminal adapter - HC-B 24-A-UT-PEL-F - 1648054

## Technical data

### General

<b>Contact carrier material</b>	PA
<b>Pollution degree</b>	3
<b>Surge voltage category</b>	III
<b>Inflammability class according to UL 94</b>	V0
<b>Connection in acc. with standard</b>	IEC / EN
<b>Assembly instructions</b>	Coding also using the CP-HC (1686478) coding profiles. HC-B6../HC-B10..for two coding profiles. HC-B16../HC-B24..for four coding profiles.
<b>Installation instructions</b>	Connectors may only be actuated when there is no load/voltage.

## classifications

### eCl@ss

<b>eCl@ss 4.0</b>	27140816
<b>eCl@ss 4.1</b>	27140816
<b>eCl@ss 5.0</b>	27143424
<b>eCl@ss 5.1</b>	27143424
<b>eCl@ss 6.0</b>	27143424
<b>eCl@ss 7.0</b>	27440205
<b>eCl@ss 8.0</b>	27440205

### ETIM

<b>ETIM 3.0</b>	EC000438
<b>ETIM 4.0</b>	EC000438
<b>ETIM 5.0</b>	EC000438

### UNSPSC

<b>UNSPSC 6.01</b>	30211923
<b>UNSPSC 7.0901</b>	39121522
<b>UNSPSC 11</b>	39121522
<b>UNSPSC 12.01</b>	39121522
<b>UNSPSC 13.2</b>	39121522

## approvals

CSA / UL Recognized / cUL Recognized / cULus Recognized /

### Approval details



# Terminal adapter - HC-B 24-A-UT-PEL-F - 1648054

## approvals

Nominal voltage UN	600 V
Nominal current IN	13 A
mm <sup>2</sup> /AWG/kcmil	22-14

<b>UL Recognized</b>	
Nominal voltage UN	600 V
Nominal current IN	13 A
mm <sup>2</sup> /AWG/kcmil	22-14

<b>cUL Recognized</b>	
Nominal voltage UN	600 V
Nominal current IN	13 A
mm <sup>2</sup> /AWG/kcmil	22-14

<b>cULus Recognized</b>	
-------------------------	--

## accessories

### Mounting material

HC-KA-FE - 1775240



HC-VSH - 1660083



## Terminal adapter - HC-B 24-A-UT-PEL-F - 1648054

accessories

HC-B-PES - 1604997



HC-B-3PE - 1644326



**Coding element**

CP-HC - 1686478



HC-CST - 1676857



HC-CBU - 1676860



# Terminal adapter - HC-B 24-A-UT-PEL-F - 1648054

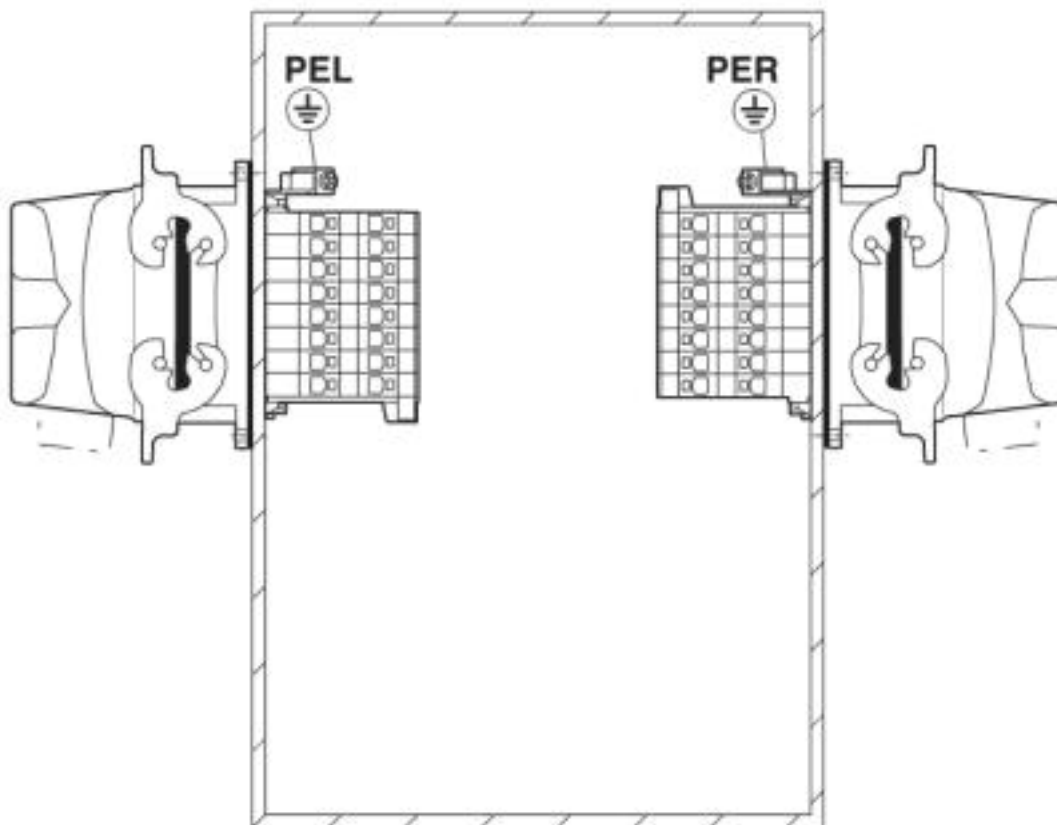
accessories

HC-CB - 1772722



## Drawings

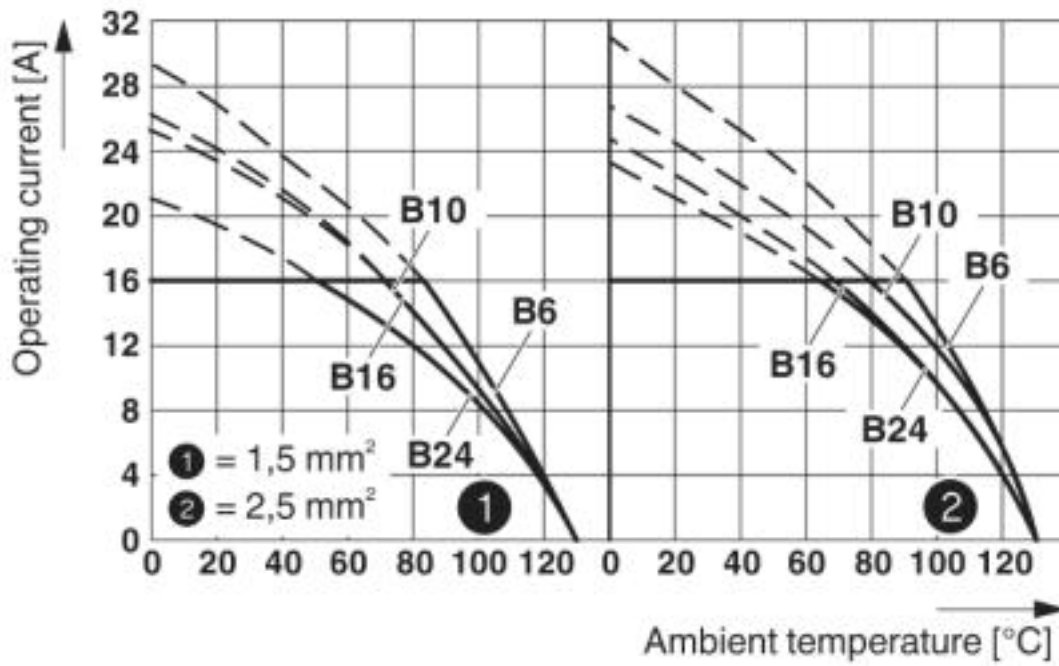
Application drawing



Mounting position PE connection left/right (PEL/PER)

# Terminal adapter - HC-B 24-A-UT-PEL-F - 1648054

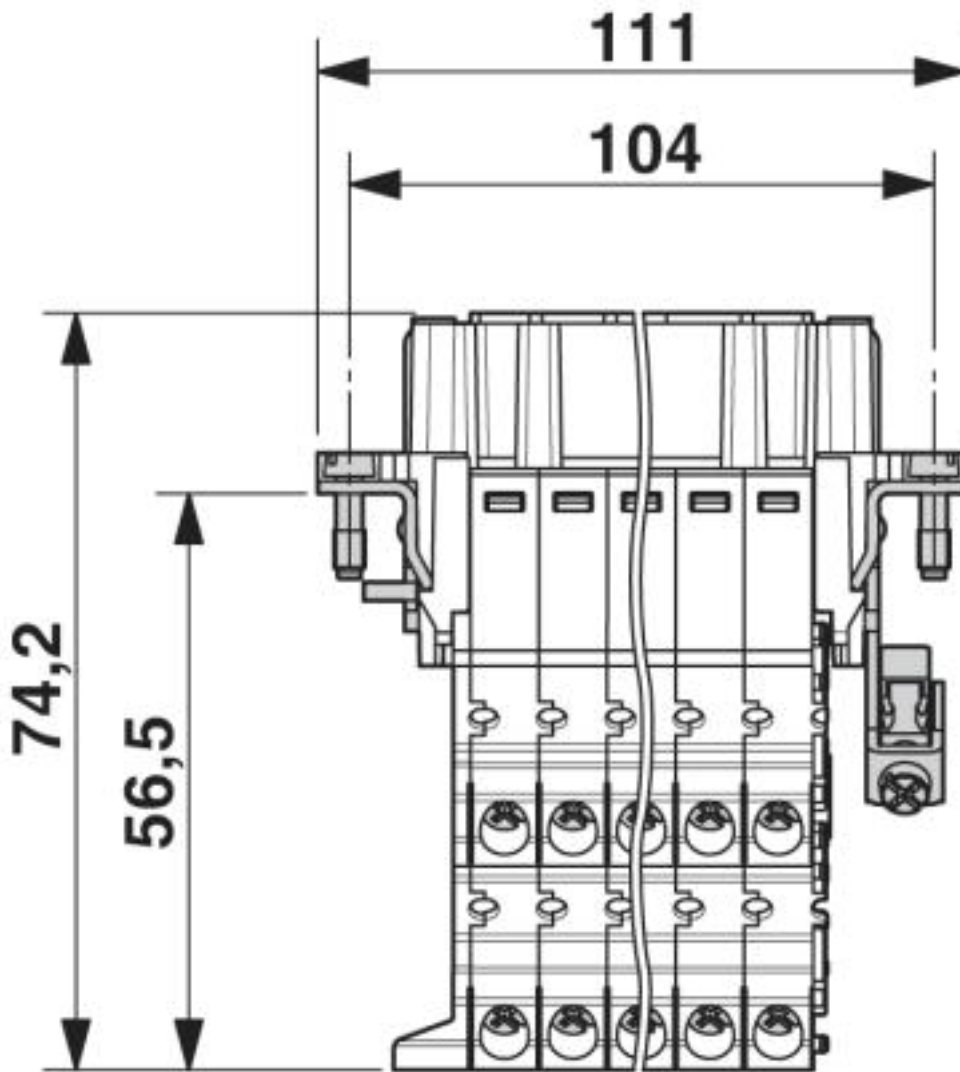
Diagram



Derating diagram

# Terminal adapter - HC-B 24-A-UT-PEL-F - 1648054

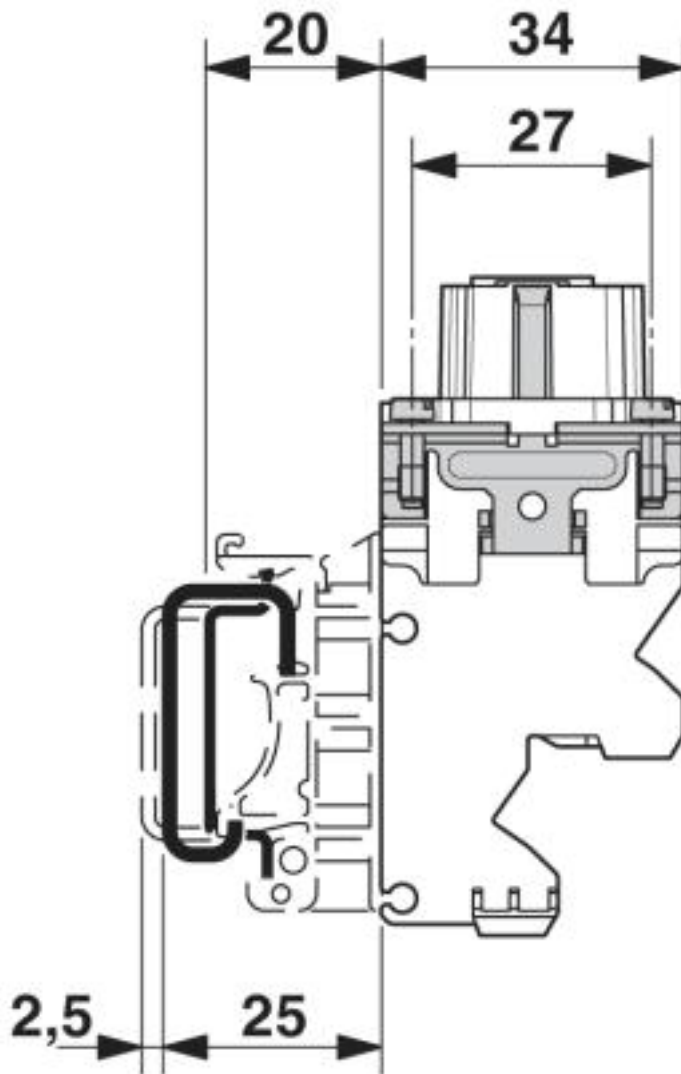
Dimensioned drawing



Connection side

# Terminal adapter - HC-B 24-A-UT-PEL-F - 1648054

Dimensioned drawing



Side view

© Phoenix Contact 2013 - all rights reserved  
<http://www.phoenixcontact.com>