

Control- and safety isolating transformer ST 400/23/24



Picture shows ST 160/23-23

Advantages

| |
|-------------------------------------------------------------------------------------|
| Reduced inrush current |
| High power density due to a compact construction design |
| Primary side $\pm 5\%$ taps for voltage adjustment |
| Very good corrosion protection and low noise due to BLOCK IMPEX vacuum impregnation |
| Contact protected screw connection terminals complying with UVV BGV A3 |
| Simple mounting due to robust metal footplate with oval slots |

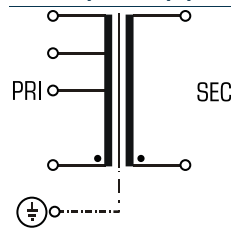
Applications

As a control transformer for the electrical isolation of the input and output sides. The construction of the transformer is designed to supply control systems according to EN 60204.

As an isolating transformer for the safe electrical isolation of the input and output sides. The transformer may be used to set up protective separation as a protective measure in accordance with VDE 0100.

As a safety isolating transformer for the safe electrical isolation of the input and output sides. The transformer is suitable for creating SELV and PELV circuits because of the limit on the output voltage.

Sample application



Standards

Control transformer
to: VDE 0570 Teil 2-2, DIN EN 61558-2-2, EN 61558-2-2, IEC 61558-2-2,
UL 5085-1/-2, CSA 22.2 No.66
Safety isolating transformer
to: VDE 0570 Part 2-6, DIN EN 61558-2-6, EN 61558-2-6, IEC 61558-2-6,
UL 5085-1/-2, CSA 22.2 No.66

Approvals



VDE, UL 5085-1/-2, CSA 22.2 No.66

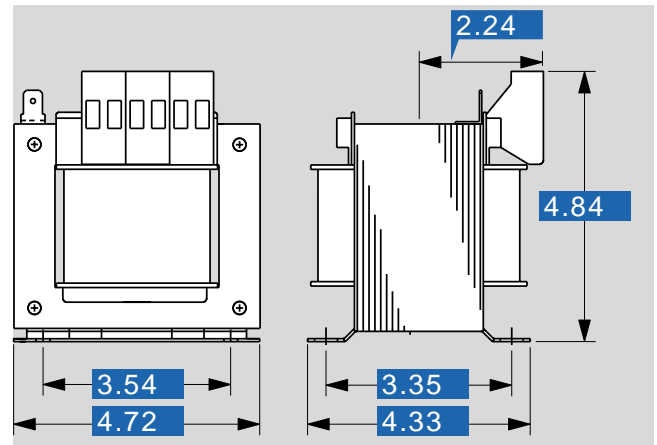


Control- and safety isolating transformer ST 400/23/24

| Type | | ST 400/23/24 |
|------------------------------------------------------------------------------------------------------------|----------------------------------|-------------------------------------------|
| Electrical data | Input | |
| | Rated input voltage | 230 Vac |
| | Tappings Input | ±5 % |
| | Rated frequency | 50 - 60 Hz |
| | Output | |
| | Rated output voltage | 24 Vac |
| | Rated power VDE (DB cos phi=1) | 400 VA |
| | Rated power VDE (KB cos phi=0.5) | 1,020 VA |
| | No-load voltage (app. x factor) | 1.06 |
| | Efficiency | 91 % |
| | UL Derating | 320 VA |
| | Standards | |
| | Classification | Control- and safety isolating transformer |
| | Approvals | |
| | Approvals | cURus, VDE |
| Environment | | |
| Ambient temperature max. | 104.0 °F | |
| Type of cooling | by self-cooling | |
| Safety and protection | | |
| Type | Open type | |
| Insulation class | VDE=B, UL=class 105 | |
| Protection index | IP 00 | |
| Safety class (prepared) | I | |
| Short circuit strength | non-short-circuit proof | |
| PRI Fusing recommendation by circuit breaker with tripping characteristic type 20 x Irated related to set) | | |
| Setting range | 1.60 - 2.50 A | |
| Setting value | 1.9 A | |
| Order numbers | | |
| Order Number | ST 400/23/24 | |

| Type | | ST 400/23/24 |
|------------------------|-----------------------|-----------------------------------------------------------------|
| Mechanical data | Terminal and mounting | |
| | Fixing method | Base plate |
| | Fixing screws | M5 |
| | Terminals Input | Screw clamp, 4 mm ² + Tab connector, 6.3 x 0.8 mm |
| | Terminals Output | Screw clamp, 4 mm ² + Tab connector, 6.3 x 0.8 mm |
| | Connection type | Tab connector, 6.3 x 0.8 mm |
| | Measures and weights | |
| | Weight | 11.02 lbs |

Dimensions in inch



Subject to change.