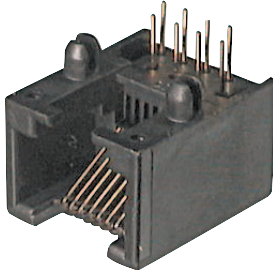
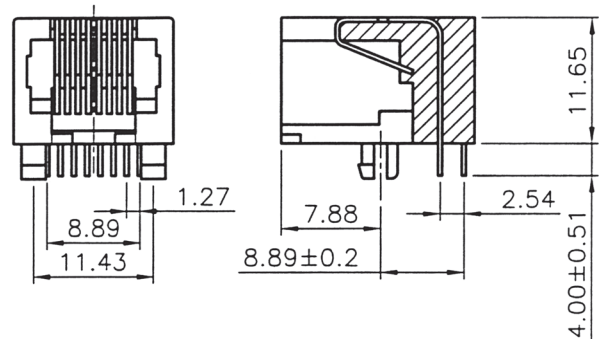
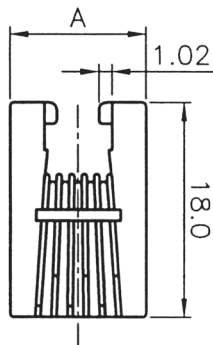
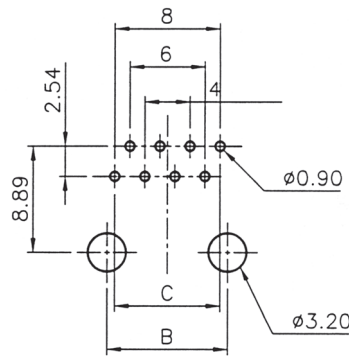


Modular Einbaubuchsen, 90°, Low-Profile
Modular Jacks, 90°, low profile



Gehäuse Polyester, glasfaserverstärkt	Housing Glass filled polyester
Kontakte Phosphorbronze	Contacts Phosphorbronze
Kontaktoberfläche 6µ" Gold	Contact finish 6µ" gold plating
Betriebstemperaturbereich -40°C bis +85°C	Operating temperature -40°C to +85°C
Stromennbelastung 1.5A	Current rating 1.5A
Betriebsspannung 125V AC eff.	Voltage rating 125V AC rms

Dimensions			
No. of contacts	A	B	C
4 (RJ11)	11.16	7.62	3.81
6 (RJ12)	13.20	10.16	6.35
8 (RJ45)	15.15	11.43	8.89



Bestellcode : **A - 2004 - x - LP**
 Ordercode :

Bitte „x“ durch die unten geeignete Option ersetzen
 Please replace „x“ with appropriate option listed below

1.

1.	Polzahl
0	-4 polig (RJ11)
1	-6 polig (RJ12)
2	-8 polig (RJ45)

	No. of contacts
0	-4 poles (RJ11)
1	-6 poles (RJ12)
2	-8 poles (RJ45)

D-Sub / Hoods
Centronics

Multiflex

Modular

USB

Switches

Powercords
Powersockets

MiniDIN

DIN4161x
Hardmetric

Sockets + Strips
Jumper