

Isolierkörpermaterial
Nylon, UL94V-0

Kontaktmaterial
Phosphorbronze

Kontaktoberfläche
Ni, Au / Sn

Kontaktwiderstand
30mΩ max

Isolationswiderstand
1000MΩ min

Strombelastbarkeit
1.5A

Betriebstemperatur
-40°C - +85°C

Betriebsspannung
125V AC

Prüfspannung
1000V AC

Verpackung
Blisterverpackung

Insulator material
Nylon, UL94V-0

Contact material
Phosphor bronze

Plating
Ni, Au / Sn

Contact resistance
40mΩ max

Insulation resistance
1000MΩ min

Current rating
1.5A

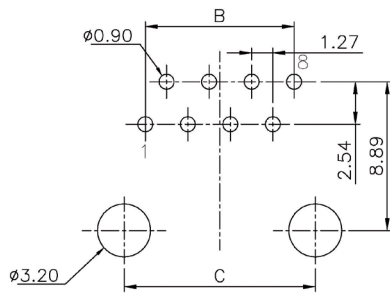
Operating temperature
-40°C - +85°C

Operating voltage
125V DC

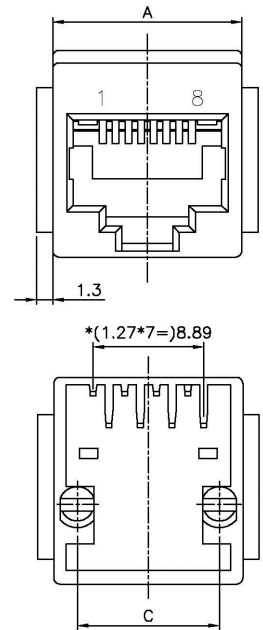
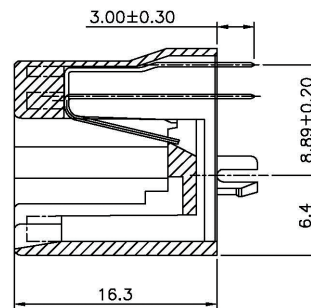
Test voltage
1000V AC

Packing
Tray packing

Dimensions			
No. of contacts	A	B	C
4 (RJ10)	11.43	3.81	7.62
6 (RJ12)	13.46	6.35	10.16
8 (RJ45)	15.20	8.89	11.43



PC Board Layout
Component Side Shown



Bestellcode / Ordercode

Polzahl

No. of contacts

- 0 - 4 polig (RJ10)
- 1 - 6 polig (RJ12)
- 2 - 8 polig (RJ45)

- 0 - 4 contacts (RJ10)
- 1 - 6 contacts (RJ12)
- 2 - 8 contacts (RJ45)

A - 2014 x

Bitte „x“ durch die geeignete Option ersetzen
Please replace „x“ with appropriate option