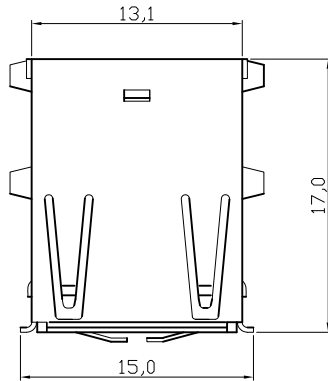
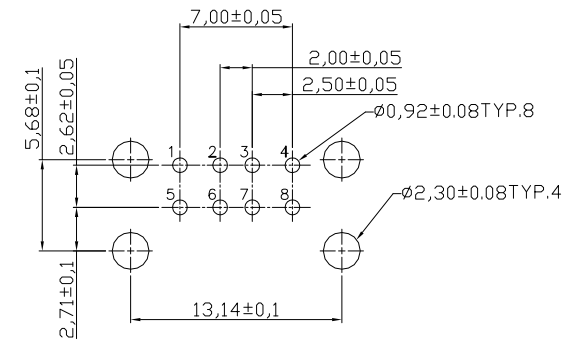
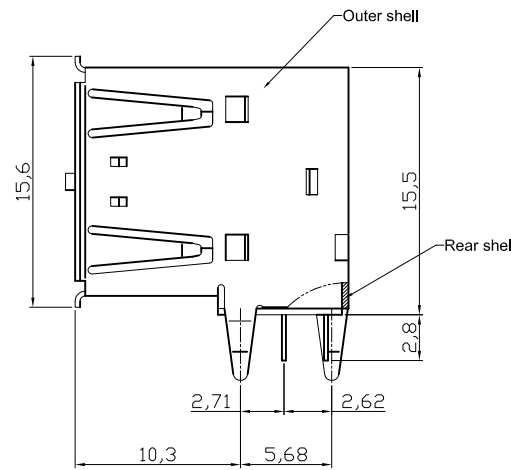
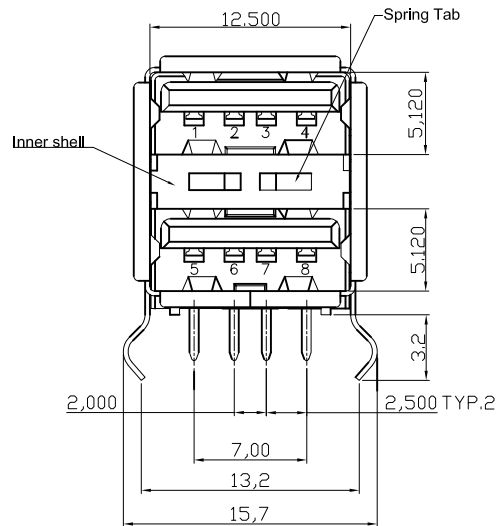


# USB 2.0 COMPLIANT



### NOTES:

1. Insulation: Glass Filled polyester UL94V-0, Color Black
2. Contact :Phosphor Bronze
3. Outer & Inner shell : Brass
4. Plating : A-USB A-2P-C Selective Gold flash over 50u" Nickel  
④ A-USB A-2P-C/30 Selective 30u" Gold over 50u" Nickel
5. Shell Plating: 80u" Nickel over 100u" Cu
6. Rear Shell: Steel with Nickel plated



Recommended PCB Layout

**RoHS compliant**  
Unit: mm

Scale	Free				Date	Name	Customer-No.	
TOLERANCE					Drawn	30.05.2007	Hellwig	
.X	±0.30							
.XX	±0.20	④	Add 30u" gold version	03.07.2014	Amy	Approved	03.07.2014	Amy
.XXX	±0.10	③	Modify Insulator color to Black	07.07.2009	Dean			
DIM	TOL	②	Re-draw	06.08.2008	Hellwig			
X.°	±1°	①	Drawn	30.05.2007	Hellwig			
Angle	TOL	Id.	Modification	Date	Name			



ASSMANN WSW-No. **A-USB A-2P-C**  
④ A-USB A-2P-C/30

Drawing-No. **ASS 1360A CO** rev04

Replace SHEET