

Sensor/actuator box - SACB-8/ 8-L-M23 180 - 1692718

Please be informed that the data shown in this PDF Document is generated from our Online Catalog. Please find the complete data in the user's documentation. Our General Terms of Use for Downloads are valid (<http://download.phoenixcontact.com>)



Sensor/actuator box, Connection method: M12 socket Plastic, Number of slots: 8, Number of positions: 4, Slot assignment: Single, Status indication: Yes, pnp; Master cable connection: M23 plug connection 180°, Shielding: No

Product Features

- Safety in the field, thanks to molded housing and high degree of protection
- Flexible, distributed bundling of signals in one master cable
- Convenient: increased machine availability thanks to quick and easy diagnostics

Key commercial data

package_quantity	1
GTIN	4017918177782

Technical data

General

Rated voltage	24 V DC
Max. operating voltage U_{max}	30 V DC
Current carrying capacity per I/O signal	2 A
Current carrying capacity per slot	4 A
Total rated current	12 A
Number of positions	4
Number of slots	8
Inflammability class according to UL 94	V0
Sensor/actuator connection system	M12 socket

Ambient conditions

Degree of protection	IP65
Degree of protection	IP67
Ambient temperature (operation)	-20 °C ... 75 °C

Local diagnostics function

Local diagnostics	Supply voltage Green LED
Local diagnostics	Status display I/O Yellow LED

Master cable data/connection data

Connection method	M23 plug connection
Tightening torque slot sensor/actuator cable	0.4 Nm

Sensor/actuator box - SACB-8/ 8-L-M23 180 - 1692718

Technical data

Master cable data/connection data

Tightening torque screw plug	0.4 Nm
-------------------------------------	--------

Insulation material

Housing material	PA
Contact material	CuSn
Contact surface material	Ni/Au
Contact carrier material	PA
Material of contact, master cable side	CU alloy
Material of contact surface, master cable side	Gold-plated
Material of threaded sleeve	Zinc die-cast
Material, O-ring	NBR

Pin assignment

Slot/position = Wire color or connection	1 / 4 (A) = 1
Slot/position = Wire color or connection	2 / 4 (A) = 2
Slot/position = Wire color or connection	3 / 4 (A) = 3
Slot/position = Wire color or connection	4 / 4 (A) = 4
Slot/position = Wire color or connection	5 / 4 (A) = 5
Slot/position = Wire color or connection	6 / 4 (A) = 6
Slot/position = Wire color or connection	7 / 4 (A) = 7
Slot/position = Wire color or connection	8 / 4 (A) = 8
Slot/position = Wire color or connection	1-4 / 1 (+ 24 V) = 11
Slot/position = Wire color or connection	1-4 / 3 (0 V) = 9+10
Slot/position = Wire color or connection	1-4 / 5 (PE) = 12

classifications

eCl@ss

eCl@ss 4.0	27140815
eCl@ss 4.1	27140815
eCl@ss 5.0	27143423
eCl@ss 5.1	27143423
eCl@ss 6.0	27143423
eCl@ss 7.0	27449001
eCl@ss 8.0	27449001

ETIM

ETIM 2.0	EC000200
ETIM 3.0	EC001856
ETIM 4.0	EC002585
ETIM 5.0	EC002585

UNSPSC

UNSPSC 6.01	31261501
--------------------	----------

Sensor/actuator box - SACB-8/ 8-L-M23 180 - 1692718

classifications

UNSPSC

UNSPSC 7.0901	31261501
UNSPSC 11	31261501
UNSPSC 12.01	31261501
UNSPSC 13.2	31261501

approvals

UL Recognized / cUL Recognized / GOST / cULus Recognized /

Approval details

UL Recognized	
Nominal voltage UN	24 V
Nominal current IN	
mm ² /AWG/kcmil	22-16

cUL Recognized	
Nominal voltage UN	24 V
Nominal current IN	
mm ² /AWG/kcmil	22-16

GOST

cULus Recognized

accessories

Master cable, assembled

Sensor/actuator box - SACB-8/ 8-L-M23 180 - 1692718

accessories

RCK-TGUM/BL12/ 5,0PUR-U - 1684014



RCK-TGUM/BL12/10,0PUR-U - 1684027



RCK-TWUM/BL12/ 5,0PUR-U - 1684030



RCK-TWUM/BL12/10,0PUR-U - 1684043



V-RC/TGUM 11/KVD 11/LBL 12 - 1000041



V-RC/TWUM 11/KVD 11/LBL 12 - 1000043



Sensor/actuator box - SACB-8/ 8-L-M23 180 - 1692718

accessories

Assembly tool

PLUSCON-RCS - 1665062



T-distributor

RC-T 12/1BU2ST - 1685107



Protective cap

MSK 1 - 1665897



MSK 2 - 1665907



KSK 1 - 1685013



Sensor/actuator box - SACB-8/ 8-L-M23 180 - 1692718

accessories

PROT-M12 - 1680539



Device marking

ZBN 18:UNBEDRUCKT - 2809128



Torque tool

TSD 04 SAC - 1208429



Screwdriver tools

SAC BIT M12-D15 - 1208432



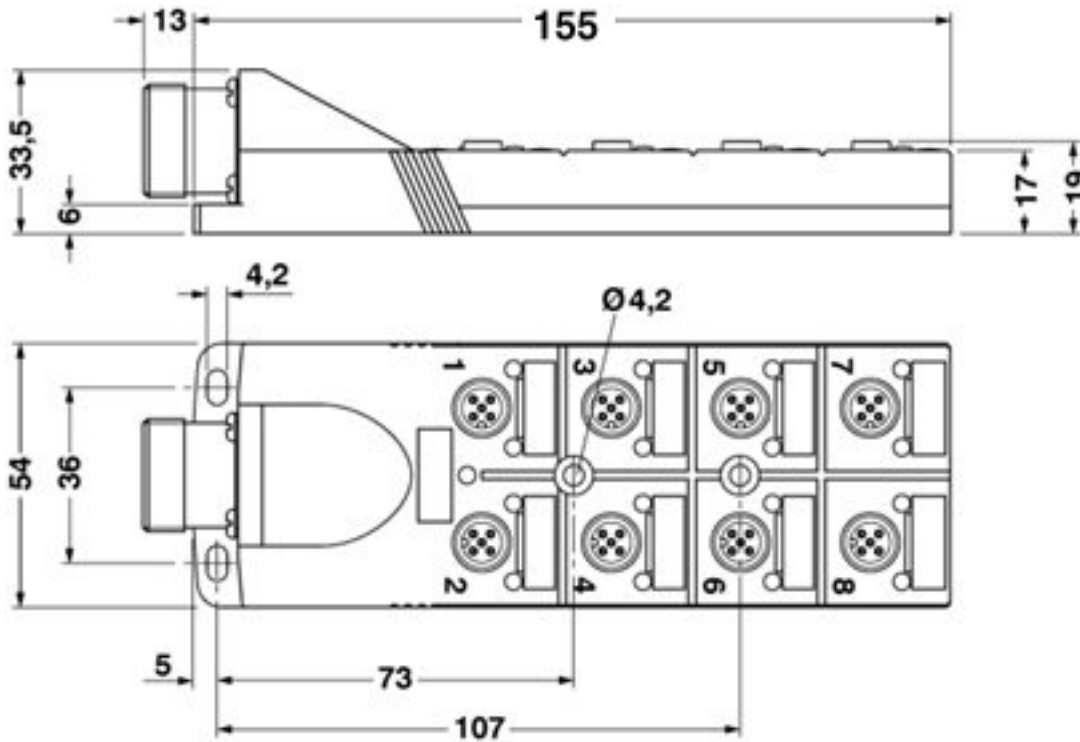
SACC BIT M12-D20 - 1208445



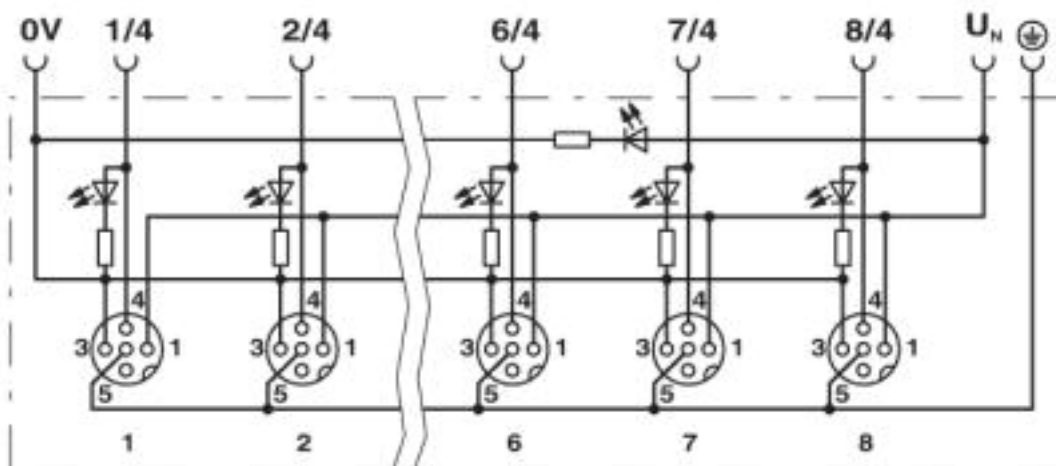
Sensor/actuator box - SACB-8/ 8-L-M23 180 - 1692718

Drawings

Dimensioned drawing

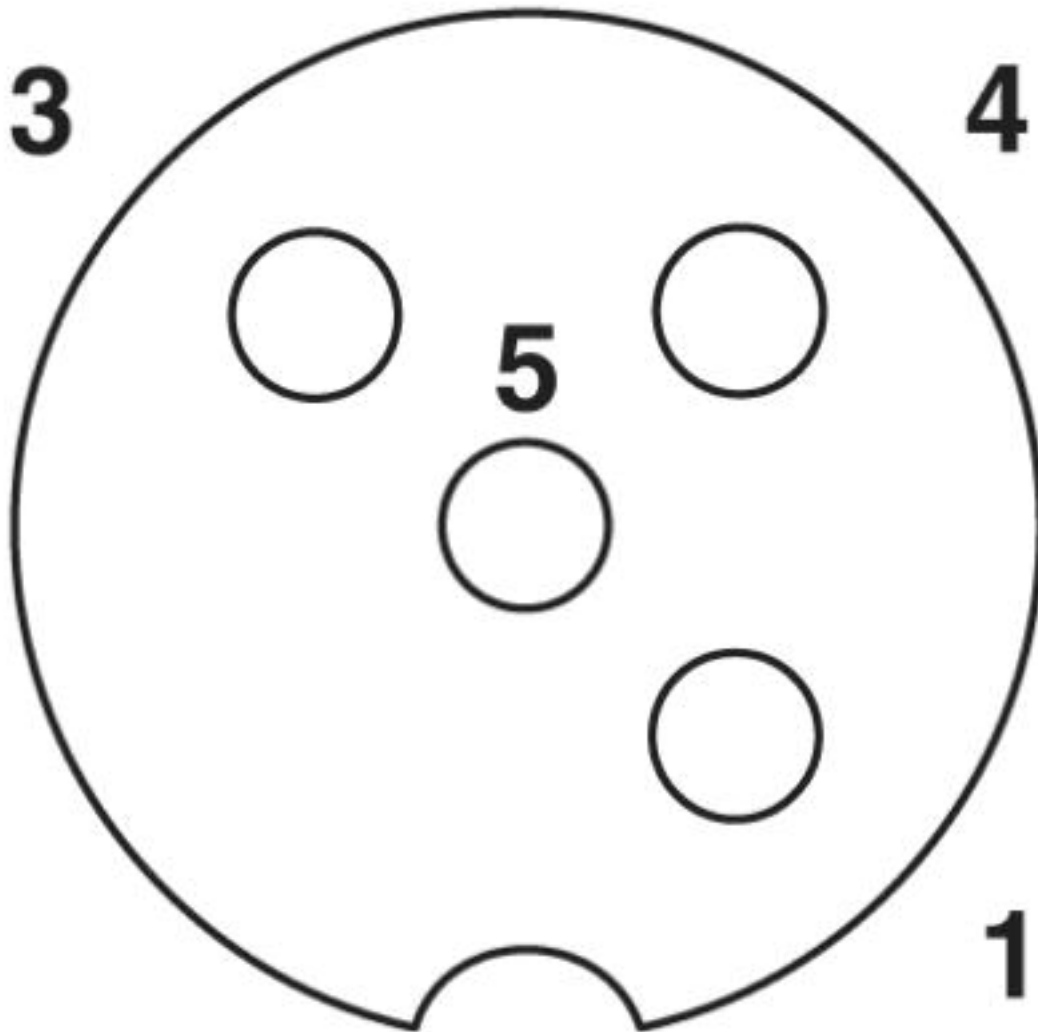


Circuit diagram



Sensor/actuator box - SACB-8/ 8-L-M23 180 - 1692718

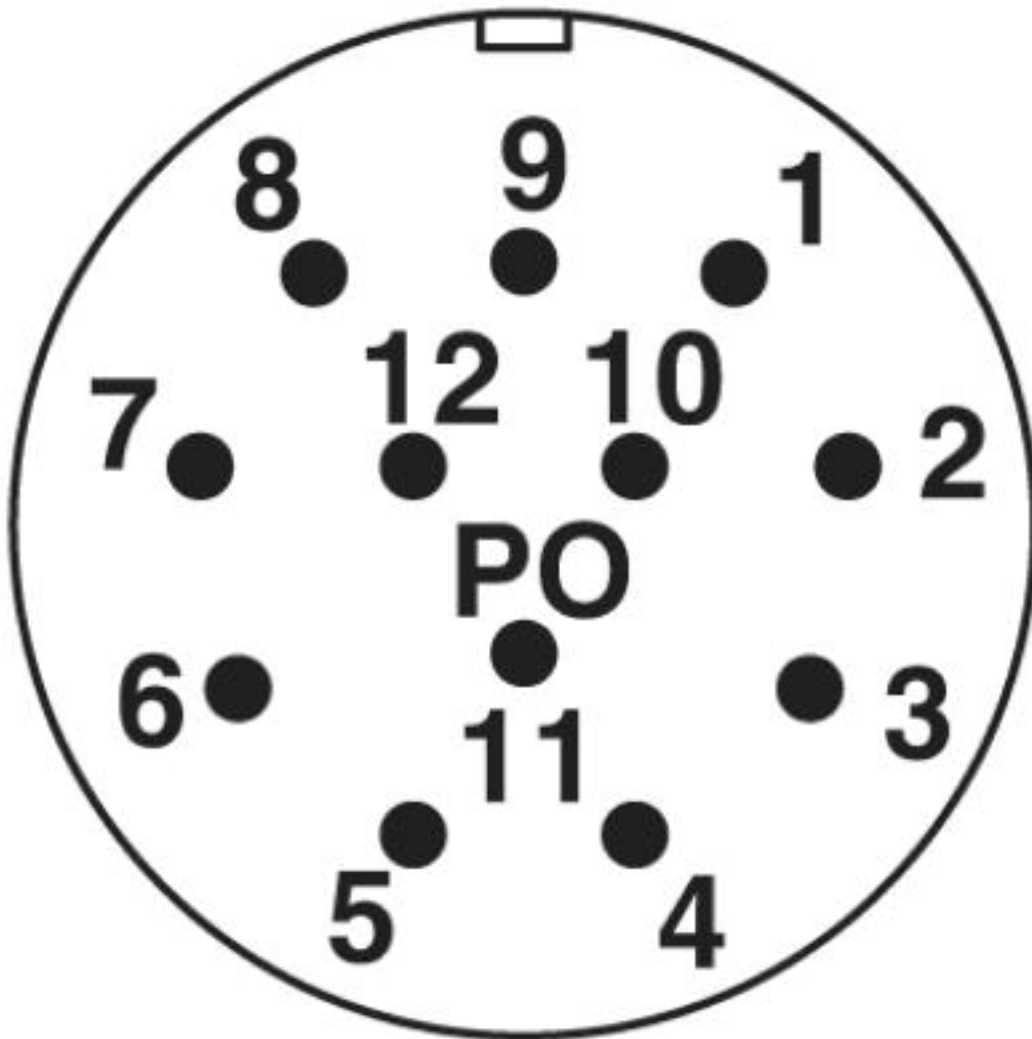
Schematic diagram



M12 slot, socket, 4-pos.

Sensor/actuator box - SACB-8/ 8-L-M23 180 - 1692718

Schematic diagram



M23 plug connection pin, 12-pos.

© Phoenix Contact 2013 - all rights reserved
<http://www.phoenixcontact.com>