

Y distributor - SAC-5PY-F/M-F VP SH - 1419933

Please be informed that the data shown in this PDF Document is generated from our Online Catalog. Please find the complete data in the user's documentation. Our General Terms of Use for Downloads are valid (<http://download.phoenixcontact.com>)



Y distributor, 5-position, shielded, Socket straight M12 SPEEDCON, A-coded, on Socket straight M12 SPEEDCON, A-coded and Plug straight M12 SPEEDCON, A-coded



Key commercial data

package_quantity	5
GTIN	4046356528450

Technical data

Dimensions

Center distance	21 mm
-----------------	-------

Ambient conditions

Ambient temperature (operation)	-25 °C ... 90 °C
Degree of protection	IP65
Degree of protection	IP67

General

Rated current at 40°C	4 A
Rated voltage	60 V
Number of positions	5
Contact resistance	≤ 5 mΩ
Insulation resistance	≥ 100 MΩ
Coding	A - standard
Standards/regulations	M12 connector IEC 61076-2-101
Status display	No
Surge voltage category	II
Pollution degree	3
Insertion/withdrawal cycles	≥ 100
Torque	0.4 Nm (M12 connector)

Material

Inflammability class according to UL 94	HB
Contact material	CuZn

Y distributor - SAC-5PY-F/M-F VP SH - 1419933

Technical data

Material

Contact surface material	Ni/Au
Contact carrier material	TPU GF
Material of grip body	TPU, hardly inflammable, self-extinguishing
Material, knurls	Zinc die-cast, nickel-plated
Sealing material	NBR

classifications

eCl@ss

eCl@ss 4.0	27060306
eCl@ss 4.1	27060306
eCl@ss 5.0	27061801
eCl@ss 5.1	27061801
eCl@ss 6.0	27260708
eCl@ss 7.0	27440312
eCl@ss 8.0	27440312

ETIM

ETIM 2.0	EC000830
ETIM 3.0	EC001855
ETIM 4.0	EC002641
ETIM 5.0	EC002641

UNSPSC

UNSPSC 6.01	31251501
UNSPSC 7.0901	31251501
UNSPSC 11	31251501
UNSPSC 12.01	31251501
UNSPSC 13.2	31251501

approvals

GOST /

Approval details



accessories

Torque tool

Y distributor - SAC-5PY-F/M-F VP SH - 1419933

accessories

TSD 04 SAC - 1208429



Screwdriver tools

SAC BIT M12-D15 - 1208432



Protective cap

PROT-M12 SH - 1503302



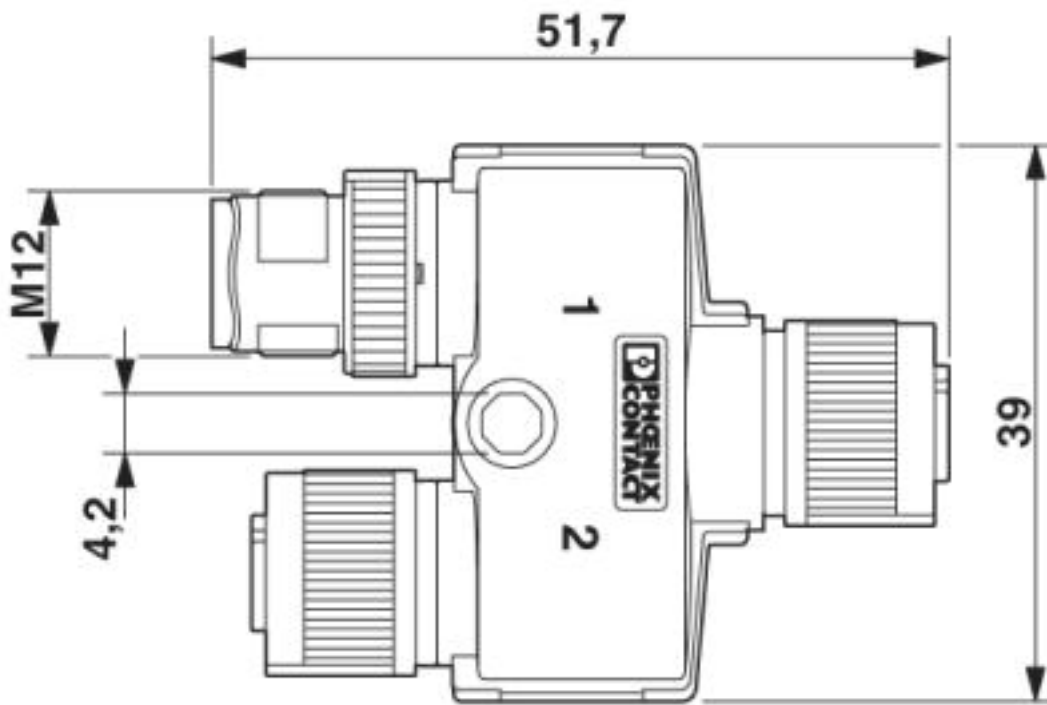
PROT-M12 FS-M - 1430488



Drawings

Y distributor - SAC-5PY-F/M-F VP SH - 1419933

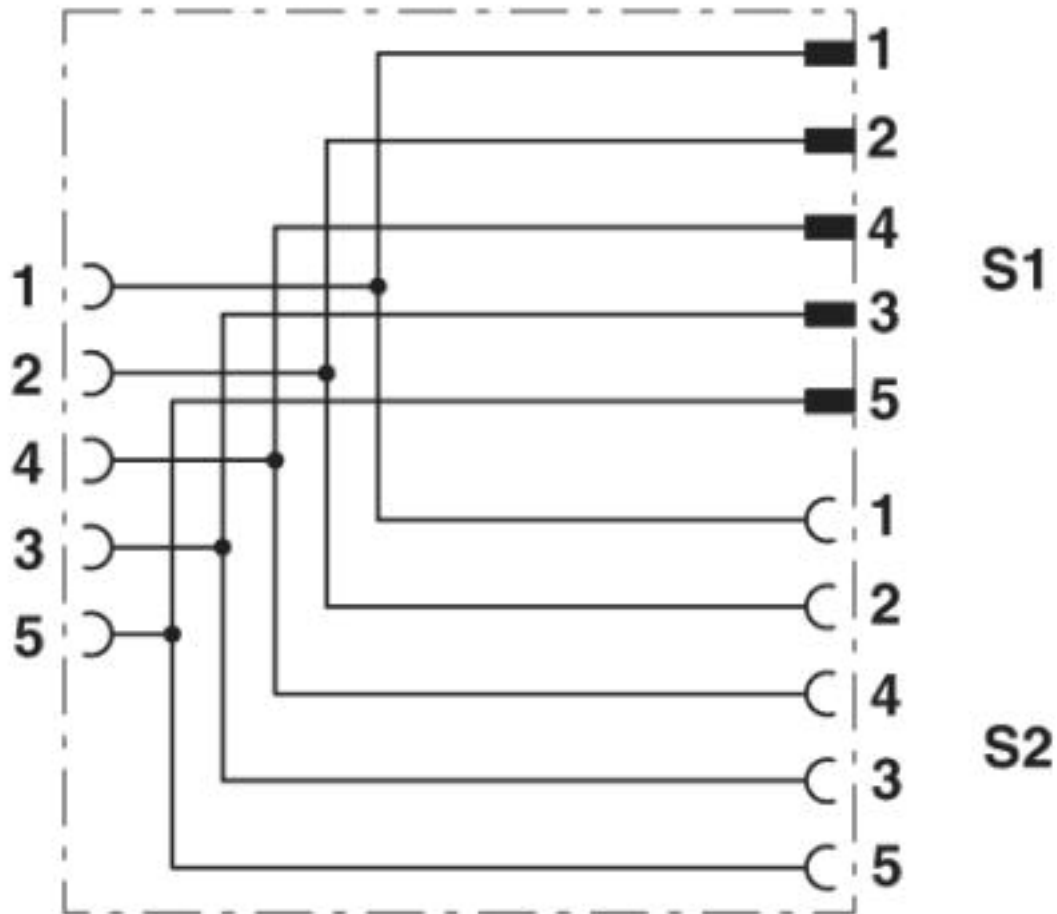
Dimensioned drawing



M12 Y distributor

Y distributor - SAC-5PY-F/M-F VP SH - 1419933

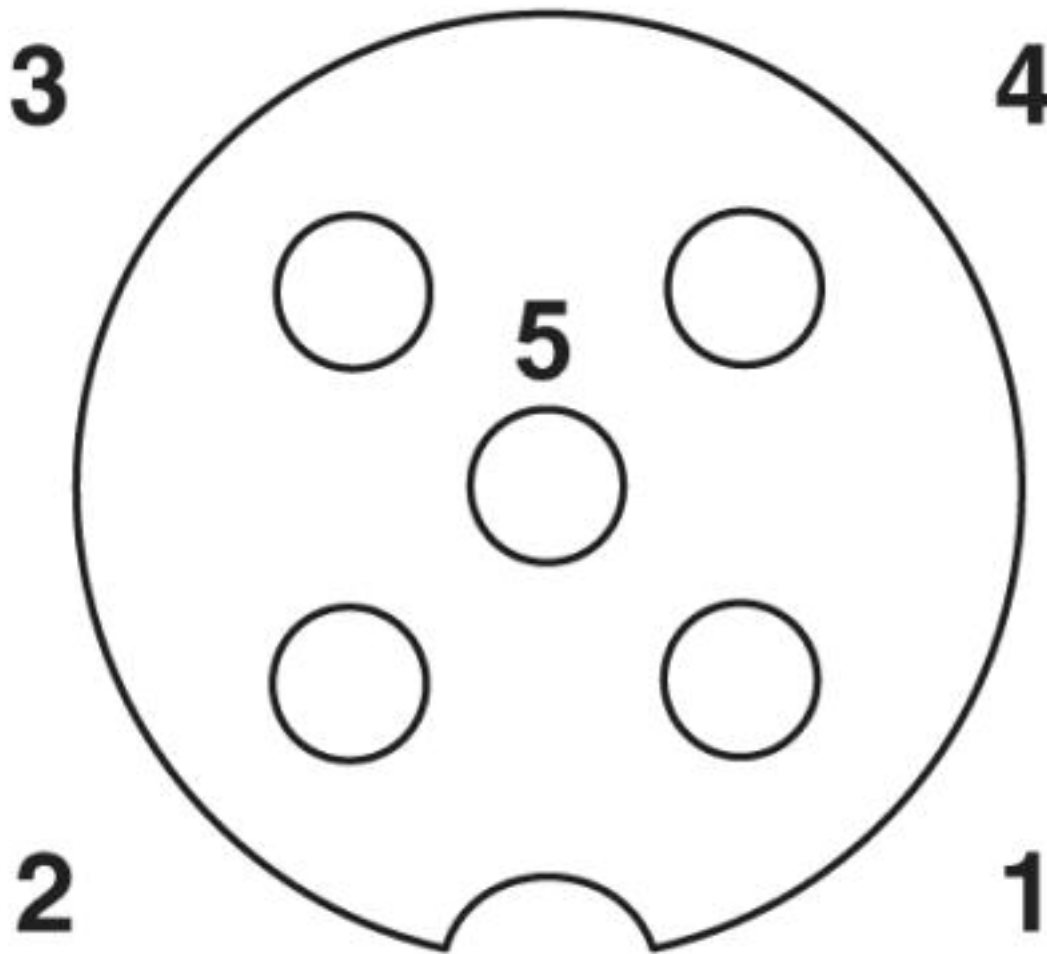
Circuit diagram



Contact assignment of the M12 Y distributor

Y distributor - SAC-5PY-F/M-F VP SH - 1419933

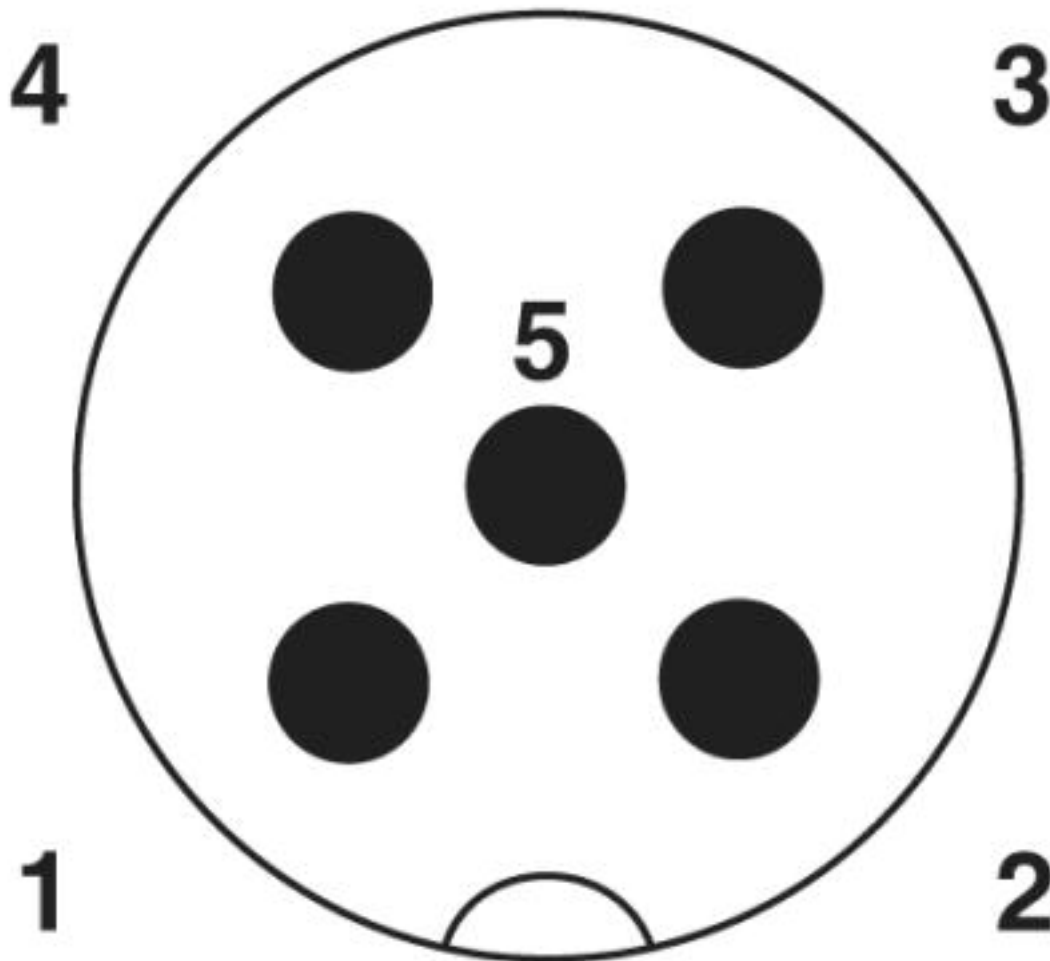
Schematic diagram



Pin assignment M12 socket, 5-pos., A-coded, socket side view

Y distributor - SAC-5PY-F/M-F VP SH - 1419933

Schematic diagram



Pin assignment M12 male connector, 5-pos., A-coded, male side

© Phoenix Contact 2013 - all rights reserved
<http://www.phoenixcontact.com>