

# Sensor/Actuator cable - SAC-5P-M12MS/ 5,0-PUR SH - 1682731

Please be informed that the data shown in this PDF Document is generated from our Online Catalog. Please find the complete data in the user's documentation. Our General Terms of Use for Downloads are valid (<http://download.phoenixcontact.com>)



Sensor/Actuator cable, 5-position, PUR halogen-free, Black-gray RAL 7021, shielded, Plug straight M12, A-coded, on Free cable end, Cable length: 5 m

## Product Features

- Easy and safe: 100% electrically tested plug-in components
- Our standard: robust halogen-free PUR cable
- Reliable signal transmission – 360° shielding in environments with electromagnetic interference

## Key commercial data

<b>package_quantity</b>	1
<b>GTIN</b>	4017918169053

## Technical data

### Dimensions

<b>Length of cable</b>	5 m
<b>Stripping length of the free conductor end</b>	50 mm

### Ambient conditions

<b>Ambient temperature (operation)</b>	-25 °C ... 90 °C (Plug / socket)
<b>Degree of protection</b>	IP65
<b>Degree of protection</b>	IP67

### General

<b>Rated current at 40°C</b>	4 A
<b>Rated voltage</b>	60 V
<b>Number of positions</b>	5
<b>Contact resistance</b>	≤ 5 mΩ
<b>Insulation resistance</b>	≥ 100 MΩ
<b>Coding</b>	A - standard
<b>Standards/regulations</b>	M12 connector IEC 61076-2-101
<b>Status display</b>	No
<b>Protective circuit/component</b>	Unwired
<b>Surge voltage category</b>	II
<b>Pollution degree</b>	3
<b>Insertion/withdrawal cycles</b>	≥ 100
<b>Torque</b>	0.4 Nm (M12 connector)

# Sensor/Actuator cable - SAC-5P-M12MS/ 5,0-PUR SH - 1682731

## Technical data

### Material

<b>Inflammability class according to UL 94</b>	HB
<b>Contact material</b>	CuSn
<b>Contact surface material</b>	Ni/Au
<b>Contact carrier material</b>	TPU GF
<b>Material of grip body</b>	TPU, hardly inflammable, self-extinguishing
<b>Material, knurls</b>	Zinc die-cast, nickel-plated

### Cable

<b>Cable type</b>	PUR halogen-free black shielded
<b>Cable type (abbreviation)</b>	PUR
<b>Cable abbreviation</b>	LiF9YC11Y
<b>UL AWM style</b>	20549
<b>Conductor cross section</b>	5x 0.34 mm <sup>2</sup> (signal line)
<b>AWG signal line</b>	22
<b>Conductor structure signal line</b>	42x 0.10 mm
<b>Core diameter including insulation</b>	1.27 mm ±0.02 mm (signal line)
<b>Wire colors</b>	Brown, white, blue, black, gray
<b>Overall twist</b>	5 wires around filler to the core
<b>Shielding</b>	Tinned copper braided shield
<b>Optical shield covering</b>	85 %
<b>External sheath, color</b>	Black RAL 9005
<b>External cable diameter D</b>	5.9 mm ± 0.2 mm
<b>Smallest bending radius, fixed installation</b>	29.5 mm
<b>Smallest bending radius, movable installation</b>	59 mm (Up to +60°C)
<b>Number of bending cycles</b>	4000000
<b>Bending radius</b>	59 mm
<b>Traversing path</b>	10 m
<b>Traversing rate</b>	3 m/s
<b>Acceleration</b>	10 m/s <sup>2</sup>
<b>Outer sheath, material</b>	PUR
<b>Material conductor insulation</b>	PP
<b>Conductor material</b>	Bare Cu litz wires
<b>Insulation resistance</b>	70 GΩ*km (at 20 °C)
<b>Conductor resistance</b>	max. 57 Ω/km (at 20 °C)
<b>Nominal voltage, cable</b>	300 V (at 20 °C)
<b>Test voltage Core/Core</b>	3000 V (at 20 °C)
<b>Special properties</b>	Flexible cable conduit capable
<b>Flame resistance</b>	In accordance with UL FT-2
<b>Halogen-free</b>	in accordance with DIN VDE 0472 part 815
<b>Other resistance</b>	hydrolysis and microbe resistant
<b>Other resistance</b>	partly UV-resistant in accordance with DIN EN ISO 4892-2-A
<b>Ambient temperature (operation)</b>	-40 °C ... 80 °C (cable, fixed installation)

# Sensor/Actuator cable - SAC-5P-M12MS/ 5,0-PUR SH - 1682731

## Technical data

### Cable

<b>Ambient temperature (operation)</b>	-25 °C ... 80 °C (cable, flexible installation)
--	---

## classifications

### eCl@ss

<b>eCl@ss 4.0</b>	27060306
<b>eCl@ss 4.1</b>	27060306
<b>eCl@ss 5.0</b>	27061801
<b>eCl@ss 5.1</b>	27061801
<b>eCl@ss 6.0</b>	27061801
<b>eCl@ss 7.0</b>	27061801
<b>eCl@ss 8.0</b>	27061801

### ETIM

<b>ETIM 2.0</b>	EC000830
<b>ETIM 3.0</b>	EC001855
<b>ETIM 4.0</b>	EC001855
<b>ETIM 5.0</b>	EC001855

### UNSPSC

<b>UNSPSC 6.01</b>	31251501
<b>UNSPSC 7.0901</b>	31251501
<b>UNSPSC 11</b>	31251501
<b>UNSPSC 12.01</b>	31251501
<b>UNSPSC 13.2</b>	31251501

## approvals

UL Listed / cUL Listed / GOST / GOST / cULus Listed /

### Approval details

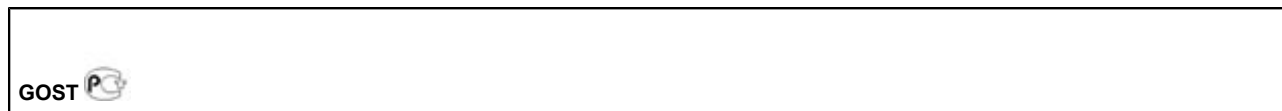
<b>UL Listed</b>	
Nominal voltage UN	125 V
Nominal current IN	4 A
mm <sup>2</sup> /AWG/kcmil	

<b>cUL Listed</b>	
-------------------	--

# Sensor/Actuator cable - SAC-5P-M12MS/ 5,0-PUR SH - 1682731

## approvals

Nominal voltage UN	125 V
Nominal current IN	4 A
mm <sup>2</sup> /AWG/kcmil	



## accessories

### Protective cap

PROT-M12 FS-PA-CHAIN - 1430873



---

### Safety locking

SAC-M12-EXCLIP-M - 1558988



---

### Conductor marking

## Sensor/Actuator cable - SAC-5P-M12MS/ 5,0-PUR SH - 1682731

### accessories

PABA WH/15 - 1013151



PABA YE/15 - 1013698



PABA RD/15 - 1013944



### Marker carrier cable

PATG 2/15 - 1013038



PATG 3/15 - 1013041



## Sensor/Actuator cable - SAC-5P-M12MS/ 5,0-PUR SH - 1682731

### accessories

PATG 4/15 - 1013054



---

### Marker pen

B-STIFT - 1051993



---

### Cutting tools

CUTFOX-S VDE - 1212207



---

### Stripping tool

WIREFOX SAC - 1212623



WIREFOX 10 - 1212150



## Sensor/Actuator cable - SAC-5P-M12MS/ 5,0-PUR SH - 1682731

accessories

### Torque tool

TSD 04 SAC - 1208429



TSD-M 1,2NM - 1212224



### Screwdriver tools

TSD-M SAC-BIT ADAPTER - 1212600



SAC BIT M12-D15 - 1208432



accessories

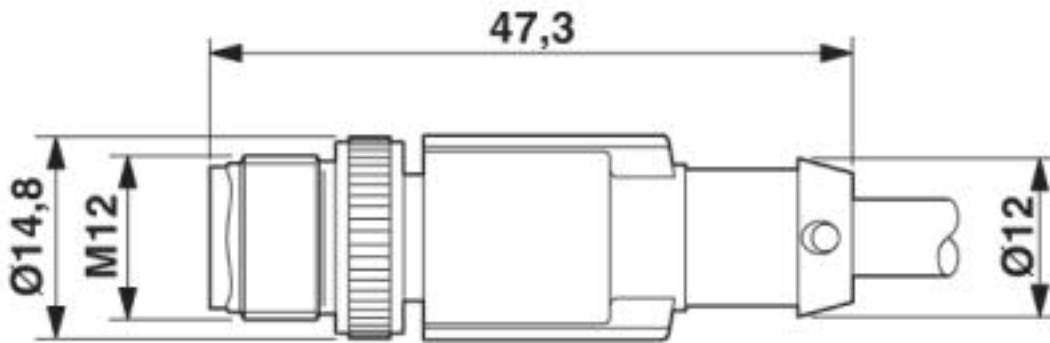
WIREFOX SAC-1 - 1212757

---

# Sensor/Actuator cable - SAC-5P-M12MS/ 5,0-PUR SH - 1682731

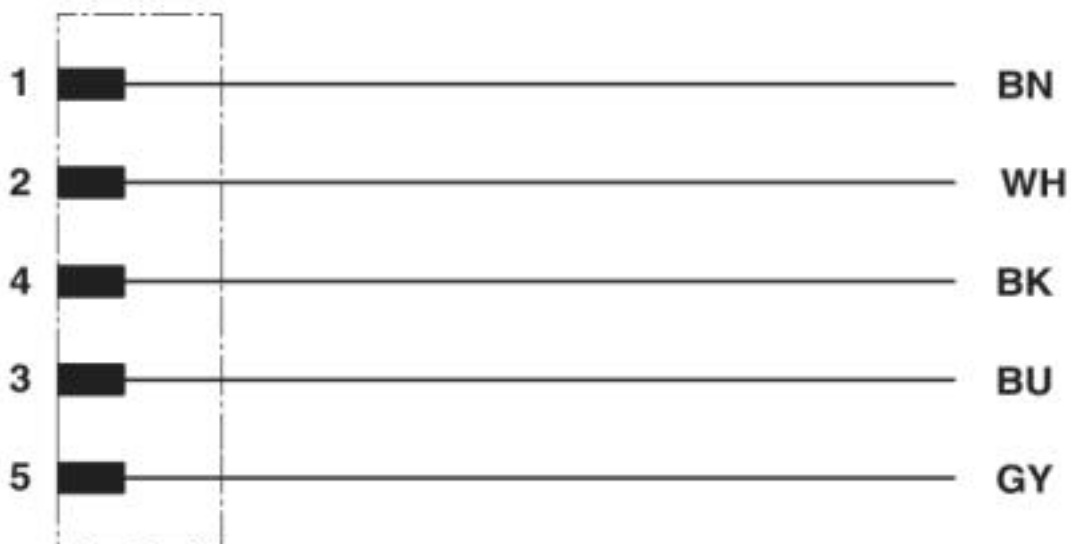
## Drawings

Dimensioned drawing



Plug, M12 x 1, straight, shielded

Circuit diagram

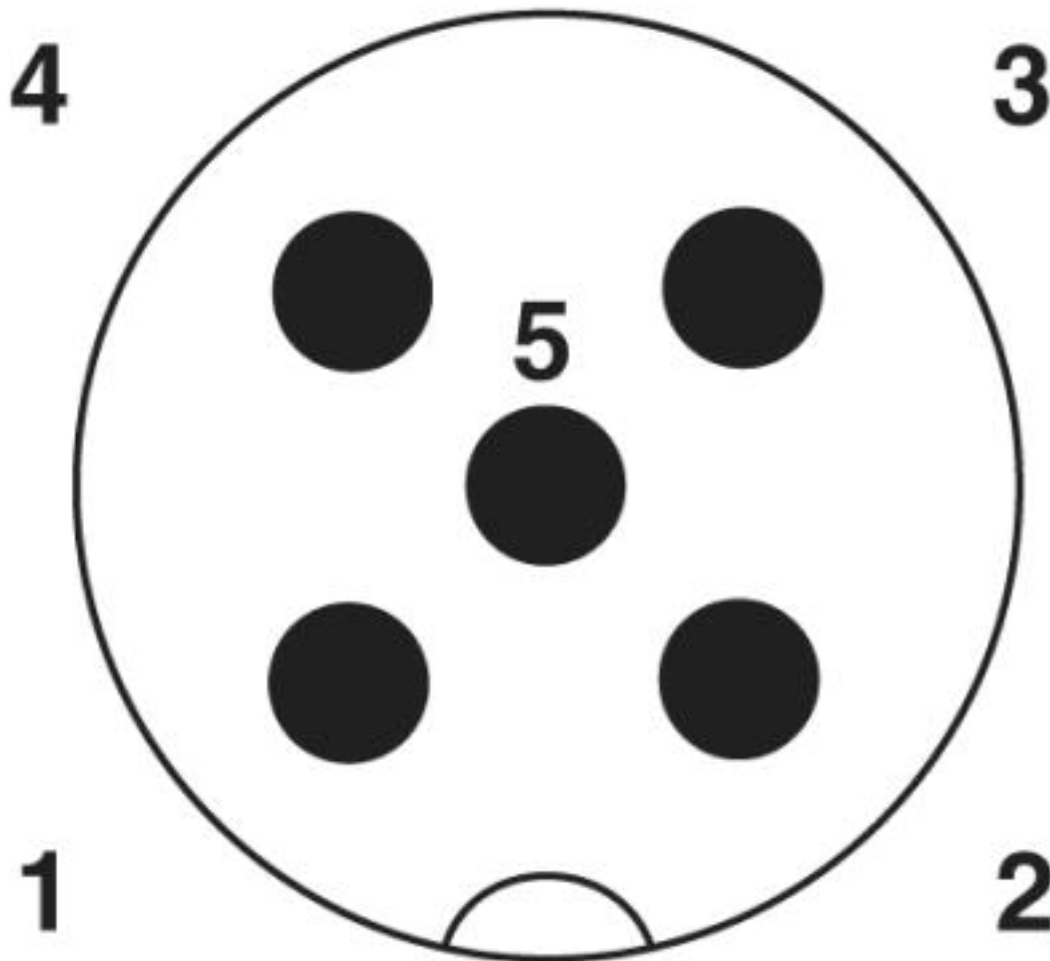


Contact assignment of the M12 plug



# Sensor/Actuator cable - SAC-5P-M12MS/ 5,0-PUR SH - 1682731

Schematic diagram



Pin assignment M12 male connector, 5-pos., A-coded, male side

## Sensor/Actuator cable - SAC-5P-M12MS/ 5,0-PUR SH - 1682731

Cable cross section



PUR halogen-free black shielded [PUR]

© Phoenix Contact 2013 - all rights reserved  
<http://www.phoenixcontact.com>